

**RoHS Compliant**

## **Embedded Multimedia Card 5.1**

Industrial EM110 Product Specifications

**May 9, 2024**

**Version 1.1**



**Apacer Technology Inc.**

1F, No.32, Zhongcheng Rd., Tucheng Dist., New Taipei City, Taiwan, R.O.C

Tel: +886-2-2267-8000 Fax: +886-2-2267-2261

[www.apacer.com](http://www.apacer.com)

## Product Features

- Packaged NAND flash memory with eMMC 5.1 interface
  - Compliant with eMMC Specification Ver. 4.3, 4.4, 4.41, 4.5, 4.51, 5.0, 5.1
  - Device can be converted to eMMC 4.3, 4.41 (Shows 4.4), 4.51 (Shows 4.5), 5.0 via initializing
- 153-ball FBGA (TFBGA) RoHS compliant package
- Package size: 11.5 x 13.0 x 1.0mm
- Capacity: 8, 16GB
- NAND flash type: MLC
- Operating voltage range:
  - I/O voltage (VCCQ) = 1.7-1.95V/2.7-3.6V
  - Core voltage (VCC) = 2.7-3.6V
- Temperature range:
  - Operating temperature (Tc): -40°C to 85°C
  - Storage temperature (Ta): -40°C to 85°C

## eMMC-Specific Features

- High-speed eMMC protocol
- Variable clock frequencies of 0-200MHz
- Ten-wire bus interface (clock, 1 bit command, 8 bit data bus) with a hardware reset
- Supports three different data bus widths: 1 bit (default), 4 bits, 8 bits
- Bus modes
  - Single data transfer rate: up to 52MB/s (using 8 parallel data lines at 52MHz)
  - High speed, single data rate mode (HS-200): up to 200MB/s @ 200MHz
  - High speed, dual data rate mode (HS-400): up to 400MB/s @ 200MHz
- Error free memory access
  - Internal error correction code (ECC) for improved data storage integrity
  - Internal enhanced data management algorithm
  - Data protection for sudden power failure during program operations
- Security
  - Secure erase/trim commands
  - Enhanced write protection with permanent and partial protection options
- Major features
  - HS400, Field Firmware Update (FFU), Power-off Notification, Pre EOL Information, Enhanced Device Life time, Optimal Size
- Major eMMC 5.1 features
  - Command Queuing, Enhanced Strobe, Cache Flushing Report, BKOPS Control, Cache Barrier, RPMB Throughput Improve, Secure Write Protection

## Table of Contents

<b>1. General Description .....</b>	<b>3</b>
<b>2. Signal Assignments (153-Ball).....</b>	<b>3</b>
<b>3. Product Specifications.....</b>	<b>4</b>
3.1 Partition Capacity .....	4
3.2 User Density .....	4
3.3 Operating and Storage Temperatures.....	4
3.4 Typical Performance.....	5
<b>4. Electrical Specifications.....</b>	<b>7</b>
4.1 Operating Voltage.....	7
4.2 Power Consumption .....	7
<b>5. eMMC Device and System.....</b>	<b>9</b>
5.1 eMMC System Overview .....	9
5.2 Memory Addressing.....	9
5.3 Signal Descriptions.....	10
<b>6. eMMC 5.1 Selected Features .....</b>	<b>11</b>
6.1 Pseudo Technology (pSLC) .....	11
6.2 Field Firmware Update (FFU).....	11
6.3 Power-off Notifications for Sleep .....	12
6.4 Enhanced User Data Area.....	13
6.5 Write Cache .....	13
6.6 Cache Enhancement Barrier .....	13
6.7 Cache Flushing Policy .....	14
6.8 Production State Awareness (PSA) .....	15
<b>7. Register Settings.....</b>	<b>16</b>
7.1 OCR Register .....	16
7.2 CID Register .....	16
7.3 CSD Register.....	17
7.4 Extended CSD Register .....	18
<b>8. Package Dimensions.....</b>	<b>24</b>
<b>9. Product Ordering Information.....</b>	<b>27</b>
9.1 Product Code Designations.....	27
9.2 Valid Combinations.....	28

## 1. General Description

Apacer EM110 is an embedded, non-volatile memory system that combines multiple-level cell (MLC) NAND flash memory with an onboard eMMC controller, supporting the JEDEC Standard eMMC 5.1 interface. The integrated eMMC controller directly manages NAND flash media, freeing the host processor from various tasks, including ECC, wear-leveling, IOPS optimization, and read sensing.

EM110 serves as the ideal storage solution for a wide range of industrial applications, including embedded systems, factory automation, networking, transportation, aerospace and defense, surveillance, medical equipment, and more. Its compact BGA package sizes and minimal power consumption render eMMC an affordable and efficient memory solution for mobile and embedded products.

Offering capacities ranging from 8GB to 16GB within a JEDEC-compatible form factor, EM110 provides an excellent solution for vendors looking for seamless integration, a quick market entry, and ample storage capacity.

## 2. Signal Assignments (153-Ball)

	1	2	3	4	5	6	7	8	9	10	11	12	13	14	
A	NC	NC	DAT0	DAT1	DAT2	VSS	RFU	NC	NC	NC	NC	NC	NC	NC	A
B	NC	DAT3	DAT4	DAT5	DAT6	DAT7	NC	NC	NC	NC	NC	NC	NC	NC	B
C	NC	VDDI	NC	VSSQ	NC	VCCQ	NC	NC	NC	NC	NC	NC	NC	NC	C
D	NC	NC	NC	NC								NC	NC	NC	D
E	NC	NC	NC		RFU	VCC	VSS	VSF	VSF	VSF		NC	NC	NC	E
F	NC	NC	NC		VCC					VSF		NC	NC	NC	F
G	NC	NC	RFU		VSS					VSF		NC	NC	NC	G
H	NC	NC	NC		DS					VSS		NC	NC	NC	H
J	NC	NC	NC		VSS					VCC		NC	NC	NC	J
K	NC	NC	NC		RST_n	RFU	RFU	VSS	VCC	VSF		NC	NC	NC	K
L	NC	NC	NC								NC	NC	NC	L	
M	NC	NC	NC	VCCQ	CMD	CLK	NC	NC	NC	NC	NC	NC	NC	NC	M
N	NC	VSSQ	NC	VCCQ	VSSQ	NC	NC	NC	NC	NC	NC	NC	NC	NC	N
P	NC	NC	VCCQ	VSSQ	VCCQ	VSSQ	RFU	NC	NC	VSF	NC	NC	NC	NC	P
	1	2	3	4	5	6	7	8	9	10	11	12	13	14	

Figure 2-1 Ball Assignments

## 3. Product Specifications

### 3.1 Partition Capacity

Table 3-1 Partition Capacity

Capacity	Boot Partition 1	Boot Partition 2	RPMB
8GB	4096 KB	4096 KB	4096 KB
16GB	4096 KB	4096 KB	4096 KB

### 3.2 User Density

Table 3-2 User Density

Capacity	User Density
8GB	7,837,581,312 Bytes
16GB	15,675,162,624 Bytes

### 3.3 Operating and Storage Temperatures

Table 3-3 Operating and Storage Temperatures

Condition	Temperature
Minimum and Maximum Ambient Temperature (Ta) <sup>1</sup>	-40°C to 85°C
Maximum Case Operating Temperature (Tc)	95°C
Minimum and Maximum Non-operating Temperature (Ta) <sup>2</sup>	-40°C to 85°C

Notes:

1. To achieve optimized power and performance, ensure that the case temperature does not exceed the maximum ambient operating temperature.
2. After being soldered onto PCBA
3. Tc: case temperature; Ta: ambient temperature. The operating temperature is determined by the case temperature. Adequate airflow is advisable as it enables the device to maintain optimal temperatures, especially in environments with heavy workloads.

### 3.4 Typical Performance

Table 3-4 Performance: PSA Pseudo-SLC Burst Status

Speed Mode and Operation			Sequential Burst Performance (MB/s)		Random Burst Performance (IOPS)	
			8GB	16GB	8GB	16GB
HS400	Write Cache on	Read	225	225	5200	5300
		Write	105	140	9800	10200
	Write Cache off	Read	225	225	5300	5300
		Write	100	125	2200	2200
HS200	Write Cache on	Read	160	160	5300	5300
		Write	105	125	9700	10100
	Write Cache off	Read	160	160	5300	5300
		Write	95	115	2200	2200
DDR52	Write Cache on	Read	80	80	4900	4800
		Write	65	70	7100	7900
	Write Cache off	Read	80	80	4900	4900
		Write	65	65	2200	2100
SDR52	Write Cache on	Read	45	45	4100	4000
		Write	40	40	6100	6200
	Write Cache off	Read	45	45	4100	4100
		Write	35	40	2000	2000

Notes:

- Performance numbers may be subject to changes without notice
- Values are given at an 8-bit bus width, running on Apacer proprietary tool.
- Performance is measured at VCC = 3.3V, VCCQ = 1.8V in HS400 and HS200 mode and at VCC = 3.3V, VCCQ = 3.3V in DDR52MHz and SDR52MHz mode.
- The write cache size is 512Kb.

Table 3-5 Performance: Normal Status

Speed Mode and Operation			Sequential Sustained Performance (MB/s)		Random Sustained Performance (IOPS)	
			8GB	16GB	8GB	16GB
HS400	Write Cache on	Read	225	225	4900	4900
		Write	30	60	6400	6400
	Write Cache off	Read	225	225	4900	4900
		Write	20	25	1500	1400
HS200	Write Cache on	Read	160	160	4900	5000
		Write	30	60	6200	6300
	Write Cache off	Read	160	160	4900	5000
		Write	20	25	1400	1400
DDR52	Write Cache on	Read	80	80	4500	4600
		Write	30	55	5800	5900
	Write Cache off	Read	80	80	4500	4600
		Write	20	25	1400	1400
SDR52	Write Cache on	Read	45	45	3900	3900
		Write	30	40	5200	5400
	Write Cache off	Read	45	45	3800	3900
		Write	20	20	1300	1300

Notes:

- Performance numbers may be subject to changes without notice
- Values are given at an 8-bit bus width, running on Apacer proprietary tool.
- Performance is measured at VCC = 3.3V, VCCQ = 1.8V in HS400 and HS200 mode and at VCC = 3.3V, VCCQ = 3.3V in DDR52MHz and SDR52MHz mode.
- The write cache size is 512Kb.

## 4. Electrical Specifications

### 4.1 Operating Voltage

Table 4-1 Operating Voltage

Symbol	Min	Max	Unit
VCCQ	1.7/2.7	1.95/3.6	V
VCC	2.7	3.6	V

### 4.2 Power Consumption

Table 4-2 RMS Power Consumption

Speed Mode and Operation			Unit	8GB	16GB
HS400	Read	ICC	mA	45	45
		ICCQ		175	175
	Write	ICC		40	75
		ICCQ		80	85
HS200	Read	ICC		40	40
		ICCQ		140	145
	Write	ICC		40	75
		ICCQ		80	85
DDR52	Read	ICC	25	25	
		ICCQ	130	130	
	Write	ICC	40	65	
		ICCQ	70	75	
SDR52	Read	ICC	20	20	
		ICCQ	100	100	
	Write	ICC	40	60	
		ICCQ	70	75	

Notes:

- Power consumption numbers may be subject to changes without notice
- The measurement for the maximum RMS current is calculated as the average RMS current consumption over a 100ms period.
- The RMS current is measured at TA = 25°C, VCC = 3.3V, VCCQ = 1.8V in HS400 and HS200 mode and at VCC = 3.3V, VCCQ=3.3V in DDR52MHz and SDR52MHz mode, 8-bit bus width without clock frequency.

**Table 4-3 Standby Power Consumption**

Speed Mode and Operation		Unit	8GB	16GB
HS400	Sleep	uA	85	90
	Standby ICCQ		130	140
	Standby ICC		40	50
HS200	Sleep		85	90
	Standby ICCQ		130	140
	Standby ICC		40	50
DDR52	Sleep		90	95
	Standby ICCQ		140	150
	Standby ICC		40	55
SDR52	Sleep		90	95
	Standby ICCQ		140	150
	Standby ICC		40	55

Notes:

- Power consumption numbers may be subject to changes without notice
- Standby current is measured at TA = 25°C, VCC = 3.3V, VCCQ = 1.8V in HS400 and HS200 mode and at VCC = 3.3V, CCQ = 3.3V in DDR52MHz and SDR52MHz mode, 8-bit bus width without clock frequency.

## 5. eMMC Device and System

### 5.1 eMMC System Overview

The eMMC specification addresses the behavior of the interface and the device controller. While this specification implies the presence of a host controller and a memory storage array, it does not fully define their operation.

Apacer EM110 comprises a single-chip MMC controller and a NAND flash memory module. The microcontroller interfaces with a host system, facilitating the reading and writing of data to and from the NAND flash memory module. This controller allows the host to operate independently from the intricacies of erasing and programming the flash memory.

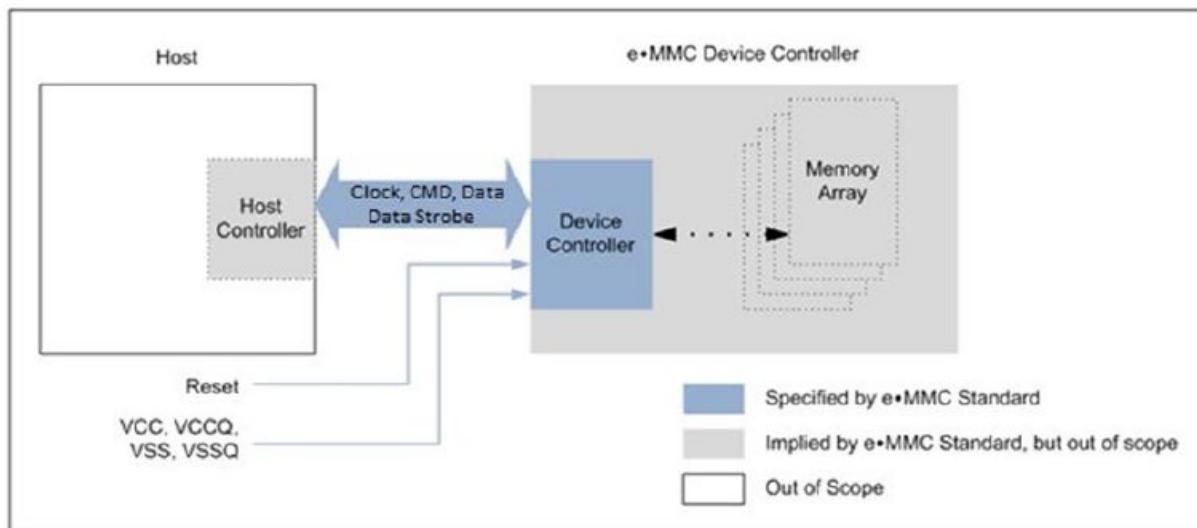


Figure 5-1 eMMC System Overview

### 5.2 Memory Addressing

Previous implementations of the eMMC specification followed byte addressing with a 32-bit field. This addressing mechanism allowed for eMMC densities up to and including 2GB.

To support larger densities, the addressing mechanism was updated to accommodate sector addresses (512B sectors). Sector addresses should be used for all devices with a capacity larger than 2GB.

To determine the addressing mode, the host should read bit [30:29] in the OCR register.

### 5.3 Signal Descriptions

Apacer EM110 transfers data via a number of data bus signals. The communication signals are summarized in the table below.

**Table 5-1 Signal Descriptions**

Name	Type	Description
CLK	I	Clock: Each cycle of this signal directs a one bit transfer on the command and either a one bit (1x) or a two bits transfer (2x) on all the data lines. The frequency may vary between zero and the maximum clock frequency.
DAT[7:0]	I/O/PP	Data: These are bidirectional data channels. The DAT signals operate in push-pull mode. Only the device or the host is driving these signals at a time. By default, after power up or reset, only DAT0 is used for data transfer. A wider data bus can be configured for data transfer, using either DAT0-DAT3 or DAT0-DAT7, by the eMMC host controller. The eMMC device includes internal pull-ups for data lines DAT1-DAT7. Immediately after entering the 4-bit mode, the Device disconnects the internal pull ups of lines DAT1, DAT2, and DAT3. Correspondingly, immediately after entering to the 8-bit mode the Device disconnects the internal pull-ups of lines DAT1-DAT7.
CMD	I/O/PP/OD	Command: This signal is a bidirectional command channel used for device initialization and transfer of commands. The CMD signal has two operation modes: open-drain for initialization mode, and push-pull for fast command transfer. Commands are sent from the eMMC host controller to the eMMC Device and responses are sent from the device to the host.
DS	O/PP	Data Strobe: This signal is generated by the device and used for output in HS400 mode. The frequency of this signal follows the frequency of CLK. For data output each cycle of this signal directs two bits transfer(2x) on the data - one bit for positive edge and the other bit for negative edge. For CRC status response output and CMD response output (enabled only HS400 enhanced strobe mode), the CRC status is latched on the positive edge only, and don't care on the negative edge.
RST_n	I	Hardware Reset: By default, hardware reset is disabled and must be enabled in the EXT_CSD register if used. Otherwise, it can be left un-connected.
VCC	S	Supply voltage for core
VCCQ	S	Supply voltage for I/O
VSS	S	Supply voltage ground for core
VSSQ	S	Supply voltage ground for I/O
VDDi	-	Connect a capacitor from VDDi to GND to stabilize internal power.
NC	-	Not Connected. Leave floating
RFU	-	Reserved for future use. Leave floating
VSF	-	Vendor Specific Function. Reserved for test points on the PCB, default status is NU (Not Used).

Note: I: input; O: output; PP: push-pull; OD: open-drain; NC: Not connected (or logical high); S: power supply.

## 6. eMMC 5.1 Selected Features

### 6.1 Pseudo Technology (pSLC)

Each cell in an MLC NAND can be programmed to store 2 bits of data, with 4 total voltage states. In Pseudo-SLC (pSLC) mode, the memory cell is used in 1-bit mode, resulting in higher endurance, lower error rates, and an extended temperature range. The firmware of the eMMC device is optimized with Pseudo technology to achieve industrial-level reliability. In the eMMC device, Pseudo SLC (pSLC) mode provides half the capacity of MLC mode.

### 6.2 Field Firmware Update (FFU)

Field Firmware Updates (FFU) enable feature enhancements in the field. Through this mechanism, the host downloads a new version of the firmware to the eMMC device and, after a successful download, instructs the eMMC device to install the newly downloaded firmware.

To initiate the FFU process, the host first checks if the eMMC device supports FFU capabilities by examining the `SUPPORTED_MODES` and `FW_CONFIG` fields in the `EXT_CSD`. If the eMMC device supports the FFU feature, the host can begin the FFU process. The FFU process commences by transitioning to FFU Mode in the `MODE_CONFIG` field of the `EXT_CSD`. While in FFU Mode, the host should employ either closed-ended or open-ended commands for downloading the new firmware and reading vendor proprietary data. In this mode, the host should set the argument of these commands as defined in the `FFU_ARG` field. If these commands use a different argument, the device's behavior is undefined, and the FFU process may fail. The host should set the `Block Length` to be `DATA_SECTOR_SIZE`. The downloaded firmware bundle must align with `DATA_SECTOR_SIZE` (internal padding of the bundle might be required). Once in FFU Mode, the host may send the new firmware bundle to the device using one or more write commands.

To revert to regular write and read functionality, the host can restore the `MODE_CONFIG` field in the `EXT_CSD` to the Normal state. Exiting FFU Mode prematurely may result in the abortion of the firmware download operation. If the host switches back to FFU Mode, it should examine the FFU Status to determine the number of sectors downloaded successfully, which can be done by reading the `NUMBER_OF_FW_SECTORS_CORRECTLY_PROGRAMMED` in the extended CSD. If the number of sectors downloaded successfully is zero, the host should restart the downloading process from the first sector. If the number of successfully downloaded sectors is positive, the host should resume the download from the next sector, thereby continuing the firmware download operation.

In cases where the `MODE_OPERATION_CODES` field is not supported by the device, the host should transition to the `NORMAL` state and initiate a `CMD0/HW_Reset/Power` cycle to install the new firmware. In such a scenario, the device doesn't need to use `NUMBER_OF_FW_SECTORS_CORRECTLY_PROGRAMMED`. In both cases, if a `CMD0/HW_Reset/Power` occurs before the host has successfully downloaded the new firmware bundle to the device, it may cause the firmware download process to be aborted.

### 6.3 Power-off Notifications for Sleep

The host should notify the device before powering the device off. This notification allows the device to better prepare itself for the impending power-off operation. "Powering the device off" refers to turning off all its power supplies. Specifically, the host should issue a power-off notification (POWER\_OFF\_LONG or POWER\_OFF\_SHORT) if it intends to turn off both VCC and VCCQ power. Alternatively, it may use a power-off notification (SLEEP\_NOTIFICATION) if its intention is to turn off VCC after transitioning the device to the Sleep state.

To signal to the device that it supports power-off notifications, a supporting host should initially set the POWER\_OFF\_NOTIFICATION byte in EXT\_CSD [34] to POWERED\_ON (0x01). To perform a power-off operation, before shutting down the device, the host changes the value to either POWER\_OFF\_SHORT (0x02) or POWER\_OFF\_LONG (0x03). The host should then wait for the busy line to be de-asserted. Once the setting has changed to either 0x02 or 0x03, the host can safely power off the device.

If the host wants to enter or exit the Sleep state and has set the POWER\_OFF\_NOTIFICATION byte to POWERED\_ON, it may issue the SLEEP\_AWAKE command (CMD5). Before transitioning to the Standby state and then to the Sleep state, the host sets POWER\_OFF\_NOTIFICATION to SLEEP\_NOTIFICATION and waits for the DAT0 line to be de-asserted. While in the Sleep (slp) state, VCC (Memory supply) may be turned off as defined in Section 6.6.21 of the JEDEC Standard Specification No. JESD84-B51 other than VCC while the device is in the Sleep (slp) state may result in undefined device behavior. Before removing all power supplies, the host should transition the device out of the Sleep (slp) state back to the Transfer state using CMD5 and CMD7, and then execute a power-off notification by setting the POWER\_OFF\_NOTIFICATION byte to either POWER\_OFF\_SHORT or POWER\_OFF\_LONG.

If the host continues to send commands to the device after switching to the power-off settings (POWER\_OFF\_LONG, POWER\_OFF\_SHORT, or SLEEP\_NOTIFICATION) or performs HPI during its busy condition, the device shall restore the POWER\_OFF\_NOTIFICATION byte to POWERED\_ON. If the host attempts to change the POWER\_OFF\_NOTIFICATION to 0x00 after writing another value, a SWITCH\_ERROR is generated.

The difference between the two power-off modes is how urgently the host wishes to turn the power off. The device should respond to POWER\_OFF\_SHORT quickly within the generic CMD6 timeout. If more time is acceptable, POWER\_OFF\_LONG may be used, and the device should respond to it within the POWER\_OFF\_LONG\_TIME timeout.

While POWER\_OFF\_NOTIFICATION is set to POWERED\_ON, the device expects the host to:

- Maintain the device power supplies in their active mode (both VCC and VCCQ).
- Avoid intentionally powering off the device before changing POWER\_OFF\_NOTIFICATION to either POWER\_OFF\_LONG or POWER\_OFF\_SHORT.
- Refrain from intentionally powering off VCC before changing POWER\_OFF\_NOTIFICATION to SLEEP\_NOTIFICATION and before transitioning the device to the Sleep state.

Before transitioning to the Sleep state, hosts may set the POWER\_OFF\_NOTIFICATION byte to SLEEP\_NOTIFICATION (0x04) if they are aware that the device is capable of autonomously initiating background operations for potential performance improvements. The host should wait for the busy line to be de-asserted. The busy line may be asserted for a period defined in the SLEEP\_NOTIFICATION\_TIME byte in EXT\_CSD [216]. Once the setting has changed to 0x04, the host can set the device into Sleep mode (CMD7+CMD5). After exiting Sleep mode, the POWER\_OFF\_NOTIFICATION byte will restore its value to POWERED\_ON. HPI may interrupt the SLEEP\_NOTIFICATION operation. In that case, the POWER\_OFF\_NOTIFICATION byte will be restored to POWERED\_ON.

## 6.4 Enhanced User Data Area

EM110 supports the Enhanced User Data Area feature, enabling the User Data Area of the eMMC device to be configured in SLC Mode. Consequently, when the host sets the Enhanced User Data Area, this area will occupy double the size of the originally configured size. The maximum Enhanced User Data Area size is defined as  $(MAX\_ENH\_SIZE\_MULT \times HC\_WP\_GRP\_SIZE \times HC\_ERASE\_GRP\_SIZE \times 512 \text{ KBytes})$ . The Enhanced User Data Area size is defined as  $(ENH\_SIZE\_MULT \times HC\_WP\_GRP\_SIZE \times HC\_ERASE\_GRP\_SIZE \times 512 \text{ KBytes})$ . The host should adhere to the flow chart outlined in the JEDEC specification for configuring the parameters of the General Purpose Area Partitions and the Enhanced User Data Area.

## 6.5 Write Cache

Cache is a temporary storage space within an eMMC device. In typical cases, the cache is designed to reduce access time and increase speed when compared to accessing the main nonvolatile storage. It's important to note that the cache is not directly accessible by the host. This temporary storage space may also serve various implementation-specific functions, such as acting as execution memory for the memory controller or storing an address mapping table.

However, there is a risk of data inconsistency when using a nonvolatile cache. It's recommended to enable the cache only for applications that do not require extremely high reliability.

By default, the cache shall be OFF after power-up, RST\_n assertion, or CMD0. All access operations should be directed to the nonvolatile storage, as defined elsewhere in this specification. The cache function can be turned ON and OFF by writing to the CACHE\_CTRL byte (EXT\_CSD byte [33]). Enabling the cache shall follow the behavior model defined in this section, while disabling the cache shall trigger the flushing of data to the nonvolatile storage.

## 6.6 Cache Enhancement Barrier

The barrier function provides a way to perform delayed, in-order flushing of cached data. The primary motivation for using barrier commands is to avoid the extended delay introduced by flush commands. There are situations where the host doesn't need to flush data immediately but wants to maintain the order between different batches of cached data. The barrier command allows the host to achieve in-order processing without incurring the flush delay since the actual flushing can be deferred by the device to a later idle time. The formal definition of the barrier rule is as follows:

Let's denote a sequence of requests as  $R_i$ , where  $i$  ranges from 0 to  $N$ . Assuming a barrier is set between requests  $R_x$  and  $R_{x+1}$  ( $0 < x < N$ ), all the requests from  $R_0$  to  $R_x$  must be flushed to the non-volatile memory before any of the requests from  $R_{x+1}$  to  $R_N$ . Between two barriers, the device has the flexibility to write data into non-volatile memory in any order. If the host wishes to preserve a specific order, it should flush the cache or set another barrier at a point where order is crucial.

To set a barrier, the host writes to the BARRIER bit of the FLUSH\_CACHE byte (EXT\_CSD byte [32]). Any errors resulting from this operation can be read from the status register using CMD13 after the programming process is completed, as defined for a regular write request. These errors could potentially affect any data written to the cache since the previous flush operation.

The device should support any number of barrier commands between two flush commands. In cases where there are multiple barrier commands between two flush commands, a subset of the cached data may be written to nonvolatile memory in accordance with the barrier rule. Internally, the device may have an upper limit on the number of barriers it can accommodate without performing a cache flush. If the host exceeds this barrier limit, the device may internally issue a normal flush.

The device's support for barrier function should be indicated via the BARRIER\_SUPPORT byte (EXT\_CSD byte [486]). If a device does not support the barrier function, this register shall be zero. If a device supports the barrier function, this register shall be set to one.

Assuming the device supports the barrier function, when the BARRIER bit of the FLUSH\_CACHE byte is set, a barrier operation should be executed.

If the cache becomes entirely full or cannot accommodate the data for the next access (as per the block count indicated in CMD23 or for any initiated single/open-ended multiple block write in general), it remains the responsibility of the eMMC device to store the data for the next access within the specified timeouts, as described elsewhere in this specification. The specific algorithm for managing the new data and any potential flushing of older cached data is left to the implementation.

Note: When issuing a force-programming write request (CMD23 with bit 24 on) or a reliable write request (CMD23 with bit 31 on), the host should be aware that the data may be written to non-volatile memory before any cached data, even if a barrier command was issued. Therefore, if the writing order to non-volatile memory is crucial, it is the host's responsibility to issue a flush command before the force-programming or reliable-write request.

To use the barrier function, the host should set bit 0 of BARRIER\_EN (EXT\_CSD byte [31]). It's important to note that the barrier feature is optional for an eMMC device.

## 6.7 Cache Flushing Policy

The host may occasionally require the eMMC device to flush cache data in a specific, in-order manner. To ensure this order, the host can use cache barrier commands or instruct the device to perform a cache flush.

However, if the eMMC device's default flushing policy is to naturally flush cache data in a First-In-First-Out (FIFO) order, the use of cache barrier or flush commands to guarantee flushing order becomes redundant. This redundancy imposes unnecessary overhead on both the device and the host.

The FIFO bit in the CACHE\_FLUSH\_POLICY field (EXT\_CSD byte [240]) is utilized by the device to inform the host that its cache flushing policy follows a First-In-First-Out sequence. In this case, the device ensures that the order of data flushing matches the order in which the data was written to the cache. When the FIFO bit is set, it is advisable for the host to refrain from sending cache barrier commands or flush operations aimed at guaranteeing a specific flushing order. These commands become redundant and can unnecessarily burden the system.

However, if the FIFO bit is set to 1b (binary 1) and the device still supports the cache barrier mechanism, the host can send barrier commands without encountering errors. Despite this, the device's behavior remains consistent as it naturally flushes cache data in the correct order.

It's important to note that the CACHE\_FLUSH\_POLICY field is read-only, and its value remains unchanged by both the host and the device.

## 6.8 Production State Awareness (PSA)

An eMMC device can adapt its operations based on whether it is in a production environment or in the field.

For example, data loaded into the storage device before soldering may have a higher likelihood of getting corrupted during the soldering process. To address this, the eMMC device can employ 'special' internal operations for loading content before soldering, reducing production failures, and then switch to 'regular' operations post-soldering.

The PRODUCTION\_STATE\_AWARENESS [133] field in the extended CSD is the mechanism through which the host communicates to the device whether it is in a pre-soldering or post-soldering state.

This standard defines two methods, Manual Mode and Auto Mode, to manage the device's production state. The process is initiated or restarted by correctly setting the PRE\_LOADING\_DATA\_SIZE field. Before configuring this field, the host should ensure that the device is clean and that any previous data is erased using commands like CMD35, CMD36, and CMD38.

If the host performs actions like data erasure, data overwriting, or re-partitioning during production state awareness, it should restart the production state awareness process by reconfiguring the PRE\_LOADING\_DATA\_SIZE.

Apacer introduces the Pseudo SLC mode as a special internal operation of the PSA (Production State Awareness) designed to enhance reliability during the soldering process in production (reflow). Apacer has also implemented mechanisms to restore the MLC behavior after production. Once the host crosses a certain threshold, the PSA feature is disabled, and the firmware begins merging pSLC blocks back into MLC blocks to return the drive to its original state. The threshold values for PSA differ based on the NAND mode:

- MLC: 50% of the user capacity

## 7. Register Settings

Within the device interface, six registers are defined: OCR, CID, CSD, EXT\_CSD, RCA, and DSR. These can only be accessed by the corresponding commands (refer to Section 6.10 of JEDEC Standard Specification No. JESD84-B51 for details).

### 7.1 OCR Register

The 32-bit operation conditions register (OCR) stores the VDD voltage profile of the device and the access mode indication. In addition, this register includes a status information bit. This status bit is set if the device-power-up procedure has been completed. The OCR register shall be implemented by all devices.

Table 7-1 OCR Register

OCR bit	VDD Voltage Window	High Voltage Value	Dual Voltage Value
[6:0]	Reserved	00 00000b	00 00000b
[7]	1.70-1.95V	0b	1b
[14:8]	2.0-2.7V	000 0000b	000 0000b
[23:15]	2.7-3.6V	1 1111 1111b	1 1111 1111b
[28:24]	Reserved	0 0000b	0 0000b
[30:29]	Access mode	00b (byte mode) 10b (sector mode)	00b (byte mode) 10b (sector mode)
[31]	Device power up status bit (busy) <sup>1</sup>		

Note:

1. This bit is set to LOW during the device's power-up routine.

### 7.2 CID Register

The Card Identification (CID) register is 128 bits wide. It contains the device identification information used during the device identification phase as required by eMMC protocol. Refer to JEDEC Standard Specification No. JESD84-B51 for details.

Table 7-2 CID Register

CID Filed Name	Field	Width	CID Slice	Value
Manufacturer ID	MID	8	[127:120]	32h
Reserved	-	6	[119:114]	0h
Device/BGA	CBX	2	[113:112]	1h
OEM/Application ID	OID	8	[111:104]	1h
Product name	PNM	48	[103:56]	(4D4D43384742h"MMC8GB") (4D4D43313647h"MMC16G")
Product revision	PRV	8	[55:48]	51h <sup>1</sup>
Product serial number	PSN	32	[47:16]	Random by production
Manufacturing date	MDT	8	[15:8]	Month, Year
CRC7 checksum	CRC	7	[7:1]	See Note 2

CID Filed Name	Field	Width	CID Slice	Value
Reserved	-	1	[0:0]	1h

Notes:

1. Subject to change according to the firmware release note.
2. The descriptions are same as eMMC JEDEC standard.

## 7.3 CSD Register

The Card-Specific Data (CSD) register provides information on how to access the contents stored in eMMC. The CSD registers are used to define the error correction type, maximum data access time, data transfer speed, data format...etc. For details, refer to Section 7.3 of the JEDEC Standard Specification No.JESD84-B51.

**Table 7-3 CSD Register**

Name	Field	Width	Cell Type	CSD Slice	Value
CSD structure	CSD_STRUCTURE	2	R	[127:126]	3h
System specification version	SPEC_VERS	4	R	[125:122]	4h
Reserved	-	2	R	[121:120]	-
Data read access-time 1	TAAC	8	R	[119:112]	4Fh
Data read access-time 2 in CLK cycles (NSAC100) <sup>1</sup>	NSAC	8	R	[111:104]	1h
Max. bus clock frequency	TRAN_SPEED	8	R	[103:96]	32h
Device command classes	CCC	12	R	[95:84]	8F5h
Max. read data block length	READ_BL_LEN	4	R	[83:80]	9h
Partial blocks for read allowed	READ_BL_PARTIAL	1	R	[79:79]	0h
Write block misalignment	WRITE_BLK_MISALIGN	1	R	[78:78]	0h
Read block misalignment	READ_BLK_MISALIGN	1	R	[77:77]	0h
DSR implemented	DSR_IMP	1	R	[76:76]	0h
Reserved	-	2	R	[75:74]	0h
Device size	C_SIZE	12	R	[73:62]	FFFh
Max. read current @ VDD min	VDD_R_CURR_MIN	3	R	[61:59]	7h
Max. read current @ VDD max	VDD_R_CURR_MAX	3	R	[58:56]	7h
Max. write current @ VDD min	VDD_W_CURR_MIN	3	R	[55:53]	7h
Max. write current @ VDD max	VDD_W_CURR_MAX	3	R	[52:50]	7h
Device size multiplier	C_SIZE_MULT	3	R	[49:47]	7h
Erase group size	ERASE_GRP_SIZE	5	R	[46:42]	8G-0Fh 16G-1Fh
Erase group size multiplier	ERASE_GRP_MULT	5	R	[41:37]	1Fh
Write protect group size	WP_GRP_SIZE	5	R	[36:32]	0Fh
Write protect group enable	WP_GRP_ENABLE	1	R	[31:31]	1h
Manufacturer default ECC	DEFAULT_ECC	2	R	[30:29]	0h
Write speed factor	R2W_FACTOR	3	R	[28:26]	2h
Max. write data block length	WRITE_BL_LEN	4	R	[25:22]	9h

Name	Field	Width	Cell Type	CSD Slice	Value
Partial blocks for write allowed	WRITE_BL_PARTIAL	1	R	[21:21]	0h
Reserved	-	4	R	[20:17]	0h
Content protection application	CONTENT_PROT_APP	1	R	[16:16]	0h
File format group	FILE_FORMAT_GRP	1	R/W	[15:15]	0h
Copy flag (OTP)	COPY	1	R/W	[14:14]	0h
Permanent write protection	PERM_WRITE_PROTECT	1	R/W	[13:13]	0h
Temporary write protection	TMP_WRITE_PROTECT	1	R/W	[12:12]	0h
File format	FILE_FORMAT	2	R/W	[11:10]	0h
ECC code	ECC	2	R/W	[9:8]	0h
CRC	CRC	7	R/W	[7:1]	8G-64h 16G-2Eh
Reserved	-	1		[0:0]	1h

Note:

1. Subject to change according to the firmware release note.

## 7.4 Extended CSD Register

The Extended CSD register defines the device properties and selected modes. It is 512 bytes long. The most significant 320 bytes are the Properties segment, which defines the device capabilities and cannot be modified by the host. The lower 192 bytes are the Modes segment, which defines the configuration the device is working in. These modes can be changed by the host by means of the SWITCH command. For details, refer to Section 7.4 of the JEDEC Standard Specification No.JESD84-B51.

**Table 7-4 Extended CSD Register**

Name	Field	Size (Bytes)	CSD Slice	Value
Reserved	-	6	[511:506]	0h
Extended Security Commands Error	EXT_SECURITY_ERR	1	[505]	0h
Supported Command Sets	S_CMD_SET	1	[504]	1h
HPI features	HPI_FEATURES	1	[503]	1h
Background operations support	BKOPS_SUPPORT	1	[502]	1h
Max packed read commands	MAX_PACKED_READS	1	[501]	3Ch
Max packed write commands	MAX_PACKED_WRITES	1	[500]	3Ch
Data Tag Support	DATA_TAG_SUPPORT	1	[499]	1h
Tag Unit Size	TAG_UNIT_SIZE	1	[498]	3h
Tag Resources Size	TAG_RES_SIZE	1	[497]	0h
Context management capabilities	CONTEXT_CAPABILITIES	1	[496]	5h
Large Unit size	LARGE_UNIT_SIZE_M1	1	[495]	17h
Extended partitions attribute support	EXT_SUPPORT	1	[494]	3h
Supported modes	SUPPORTED_MODES	1	[493]	1h

Name	Field	Size (Bytes)	CSD Slice	Value
FFU features	FFU_FEATURES	1	[492]	0h
Operation codes timeout	OPERATION_CODE_TIME_OUT	1	[491]	0h
FFU Argument	FFU_ARG	4	[490:487]	65535h
Barrier support	BARRIER_SUPPORT	1	[486]	1h
Reserved	Reserved	177	[485:309]	-
CMDQ support	CMDQ_SUPPORT	1	[308]	0h
CMDQ depth	CMDQ_DEPTH	1	[307]	0h
Reserved	Reserved	1	[306]	0h
Number of FW sectors correctly programmed	NUMBER_OF_FW_SECTORS_CORRECTLY_PROGRAMMED	4	[305:302]	0h
Vendor proprietary health report	VENDOR_PROPRIETARY_HEALTH_REPORT	32	[301:270]	-
Device life time estimation type B	DEVICE_LIFE_TIME_EST_TYP_B	1	[269]	1h
Device life time estimation type A	DEVICE_LIFE_TIME_EST_TYP_A	1	[268]	1h
Pre EOL information	PRE_EOL_INFO	1	[267]	1h
Optimal read size	OPTIMAL_READ_SIZE	1	[266]	1h
Optimal write size	OPTIMAL_WRITE_SIZE	1	[265]	8h
Optimal trim unit size	OPTIMAL_TRIM_UNIT_SIZE	1	[264]	1h
Device version	DEVICE_VERSION	2	[263:262]	0
Firmware version	FIRMWARE_VERSION	8	[261:254]	2h <sup>1</sup>
Power class for 200MHz, DDR at VCC=3.6V	PWR_CL_DDR_200_360	1	[253]	0h
Cache size	CACHE_SIZE	4	[252:249]	512
Generic CMD6 timeout	GENERIC_CMD6_TIME	1	[248]	32h
Power off notification (long) timeout	POWER_OFF_LONG_TIME	1	[247]	FFh
Background operations status	BKOPS_STATUS	1	[246]	0h
Number of correctly programmed sectors	CORRECTLY_PRG_SECTORS_NUM	4	[245:242]	0h
1 <sup>st</sup> initialization time after partitioning	INI_TIMEOUT_AP	1	[241]	64h
Cache Flushing Policy	CACHE_FLUSH_POLICY	1	[240]	1h
Power class for 52MHz, DDR at 3.6V	PWR_CL_DDR_52_360	1	[239]	0h
Power class for 52MHz, DDR at 1.95V	PWR_CL_DDR_52_195	1	[238]	0h
Power class for 200MHz at 3.6V	PWR_CL_200_195	1	[237]	0h
Power class for 200MHz, at 1.95V	PWR_CL_200_130	1	[236]	0h
Minimum Write Performance for 8bit at 52MHz in DDR mode	MIN_PERF_DDR_W_8_52	1	[235]	0h
Minimum Read Performance for 8bit at 52MHz in DDR mode	MIN_PERF_DDR_R_8_52	1	[234]	0h
Reserved	-	1	[233]	0h

Name	Field	Size (Bytes)	CSD Slice	Value
TRIM Multiplier	TRIM_MULT	1	[232]	11h
Secure Feature support	SEC_FEATURE_SUPPORT	1	[231]	55h
Secure Erase Multiplier	SEC_ERASE_MULT	1	[230]	F7h
Secure TRIM Multiplier	SEC_TRIM_MULT	1	[229]	F7h
Boot information	BOOT_INFO	1	[228]	7h
Reserved	-	1	[227]	0h
Boot partition size	BOOT_SIZE_MULT	1	[226]	20h
Access size	ACC_SIZE	1	[225]	7h-08GB 8h-16GB
High-capacity erase unit size	HC_ERASE_GRP_SIZE	1	[224]	1h
High-capacity erase timeout	ERASE_TIMEOUT_MULT	1	[223]	11h
Reliable write sector count	REL_WR_SEC_C	1	[222]	1h
High-capacity write protect group size	HC_WP_GRP_SIZE	1	[221]	10h
Sleep current (VCC)	S_C_VCC	1	[220]	Ah
Sleep current (VCCQ)	S_C_VCCQ	1	[219]	Bh
Production state awareness Timeout	PRODUCTION_STATE_AWARENESS_TIMEOUT	1	[218]	14h
Sleep/awake timeout	S_A_TIMEOUT	1	[217]	15h
Sleep Notification timeout	SLEEP_NOTIFICATION_TIME	1	[216]	Fh
Sector Count	SEC_COUNT	4	[215:212]	15307776-08GB <sup>1</sup> 30615552-16GB <sup>1</sup>
Security write protect information	SECURE_WP_INFO	1	[211]	1h
Minimum Write Performance for 8bit at 52MHz	MIN_PERF_W_8_52	1	[210]	8h
Minimum Read Performance for 8bit at 52MHz	MIN_PERF_R_8_52	1	[209]	8h
Minimum Write Performance for 8bit at 26MHz, for 4bit at 52MHz	MIN_PERF_W_8_26_4_52	1	[208]	8h
Minimum Read Performance for 8bit at 26MHz, for 4bit at 52MHz	MIN_PERF_R_8_26_4_52	1	[207]	8h
Minimum Write Performance for 4bit at 26MHz	MIN_PERF_W_4_26	1	[206]	8h
Minimum Read Performance for 4bit at 26MHz	MIN_PERF_R_4_26	1	[205]	8h
Reserved	-	1	[204]	0h
Power class for 26MHz at 3.6V 1 R	PWR_CL_26_360	1	[203]	0h
Power class for 52MHz at 3.6V 1 R	PWR_CL_52_360	1	[202]	0h
Power class for 26MHz at 1.95V 1 R	PWR_CL_26_195	1	[201]	0h
Power class for 52MHz at 1.95V 1 R	PWR_CL_52_195	1	[200]	0h
Partition switching timing	PARTITION_SWITCH_TIME	1	[199]	3h
Out-of-interrupt busy timing	OUT_OF_INTERRUPT_TIME	1	[198]	FFh
I/O Driver Strength	DRIVER_STRENGTH	1	[197]	1Fh

Name	Field	Size (Bytes)	CSD Slice	Value
Device type	DEVICE_TYPE	1	[196]	57h
Reserved	-	1	[195]	0h
CSD structure version	CSD_STRUCTURE	1	[194]	2h
Reserved	-	1	[193]	0h
Extended CSD revision	EXT_CSD_REV	1	[192]	8h
Command set	CMD_SET	1	[191]	0h
Reserved	-	1	[190]	0h
Command set revision	CMD_SET_REV	1	[189]	0h
Reserved	-	1	[188]	0h
Power class	POWER_CLASS	1	[187]	0h
Reserved	-	1	[186]	0h
High-speed interface timing	HS_TIMING	1	[185]	1h <sup>2</sup>
Strobe support	STROBE_SUPPORT	1	[184]	1h
Bus width mode	BUS_WIDTH	1	[183]	2h <sup>3</sup>
Reserved	-	1	[182]	0h
Erased memory content	ERASED_MEM_CONT	1	[181]	0h
Reserved	-	1	[180]	0h
Partition configuration	PARTITION_CONFIG	1	[179]	0h
Boot config protection	BOOT_CONFIG_PROT	1	[178]	0h
Boot bus Conditions	BOOT_BUS_CONDITIONS	1	[177]	0h
Reserved	-	1	[176]	0h
High-density erase group definition	ERASE_GROUP_DEF	1	[175]	0h
Boot write protection status registers	BOOT_WP_STATUS	1	[174]	0h
Boot area write protection register	BOOT_WP	1	[173]	0h
Reserved	-	1	[172]	0h
User area write protection register	USER_WP	1	[171]	0h
Reserved	-	1	[170]	0h
FW configuration	FW_CONFIG	1	[169]	0h
RPMB Size	RPMB_SIZE_MULT	1	[168]	20h
Write reliability setting register	WR_REL_SET	1	[167]	1Fh
Write reliability parameter register	WR_REL_PARAM	1	[166]	14h
Start Sanitize operation	SANITIZE_START	1	[165]	0h
Manually start background operations	BKOPS_START	1	[164]	0h
Enable background operations handshake	BKOPS_EN	1	[163]	0h
H/W reset function	RST_n_FUNCTION	1	[162]	0h

Name	Field	Size (Bytes)	CSD Slice	Value
HPI management	HPI_MGMT	1	[161]	0h
Partitioning Support	PARTITIONING_SUPPORT	1	[160]	7h
Max Enhanced Area Size	MAX_ENH_SIZE_MULT	3	[159:157]	467-8GB 934-16GB
Partitions attribute	PARTITIONS_ATTRIBUTE	1	[156]	0h
Partitioning Setting	PARTITION_SETTING_COMPLETED	1	[155]	0h
General Purpose Partition Size	GP_SIZE_MULT4	3	[154:152]	0h
General Purpose Partition Size	GP_SIZE_MULT3	3	[151:149]	0h
General Purpose Partition Size	GP_SIZE_MULT2	3	[148:146]	0h
General Purpose Partition Size	GP_SIZE_MULT1	3	[145:143]	0h
Enhanced User Data Area Size	ENH_SIZE_MULT	3	[142:140]	0h
Enhanced User Data Start Address	ENH_START_ADDR	4	[139:136]	0h
Reserved	-	1	[135]	0h
Bad Block Management mode	SEC_BAD_BLK_MGMNT	1	[134]	0h
Production state awareness	PRODUCTION_STATE_AWARENESS	1	[133]	0h
Package Case Temperature is controlled	TCASE_SUPPORT	1	[132]	0h
Periodic Wake-up	PERIODIC_WAKEUP	1	[131]	0h
Program CID/CSD in DDR mode support	PROGRAM_CID_CSD_DDR_SUPPORT	1	[130]	1h
Reserved	-	2	[129:128]	0h
Vendor Specific Fields	VENDOR_SPECIFIC_FIELD	61	[127:67]	-
Error code	ERROR_CODE	2	[66:65]	0h
Error type	ERROR_TYPE	1	[64]	0h
Native sector size	NATIVE_SECTOR_SIZE	1	[63]	0h
Sector size emulation	USE_NATIVE_SECTOR	1	[62]	0h
Sector size	DATA_SECTOR_SIZE	1	[61]	0h
1 <sup>st</sup> initialization after disabling sector size emulation	INI_TIMEOUT_EMU	1	[60]	0h
Class 6 commands control	CLASS_6_CTRL	1	[59]	0h
Number of addressed group to be Released	DYNCAP_NEEDED	1	[58]	0h
Exception events control	EXCEPTION_EVENTS_CTRL	2	[57:56]	0h
Exception events status	EXCEPTION_EVENTS_STATUS	2	[55:54]	0h
Extended Partitions Attribute	EXT_PARTITIONS_ATTRIBUTE	2	[53:52]	0h
Context configuration	CONTEXT_CONF	15	[51:37]	-
Packed command status	PACKED_COMMAND_STATUS	1	[36]	0h
Packed command failure index	PACKED_FAILURE_INDEX	1	[35]	0h

Name	Field	Size (Bytes)	CSD Slice	Value
Power Off Notification	POWER_OFF_NOTIFICATION	1	[34]	0h
Control to turn the Cache ON/OFF	CACHE_CTRL	1	[33]	0h
Flushing of the cache	FLUSH_CACHE	1	[32]	0h
Barrier control	BARRIER_CTRL	1	[31]	0h
Mode config	MODE_CONFIG	1	[30:30]	0h
Mode operation codes	MODE_OPERATION_CODES	1	[29:29]	0h
Reserved	Reserved	2	[28:27]	0h
FFU status	FFU_STATUS	1	[26:26]	0h
Pre loading data size	PRE_LOADING_DATA_SIZE	4	[25:22]	0h
Max pre loading data size	MAX_PRE_LOADING_DATA_SIZE	4	[21:18]	7451136-8GB 14902272-16GB
Product state awareness enablement	PRODUCT_STATE_AWARENESS_ENABLEMENT	1	[17:17]	1h
Secure removal type	SECURE_REMOVAL_TYPE	1	[16:16]	1h
Command Queue Mode enable	CMQ_MODE_EN	1	[15:15]	0h
Reserved	Reserved	15	[14:0]	-

Notes:

1. Subject to change according to the firmware release note.
2. This field is set to 0 after power-on, hardware reset, or software reset, selecting the backward compatibility interface timing for the device. If the host sets this field to 1, the device switches to high-speed interface timing (refer to Section 10.6.1 of JESD84-B50). If the host sets it to 2, the device switches to HS200 interface timing (refer to Section 10.8.1 of JESD84-B50). If the host sets HS\_TIMING [3:0] to 0x3, the device switches to HS400 interface timing (refer to Section 10.10 of JESD84-B50).
3. It is initially set to "0" for a 1-bit data bus configuration and can be modified using a SWITCH command.
4. Reserved bits should read as "0."
5. Obsolete values should be considered "don't care."
6. The values of Device version, Cache size, Sector Count, Max Enhanced Area Size, Enhanced User Data Area Size and Max pre loading data size are expressed in decimal, while "h" represents hexadecimal.

## 8. Package Dimensions

Table 8-1 Package Dimensions

Parameter	Unit	8GB	16GB
Length	mm	11.5	
Width		13.0	
Height		1.0	
Weight	g ± 5%	0.18	0.18

### Top View

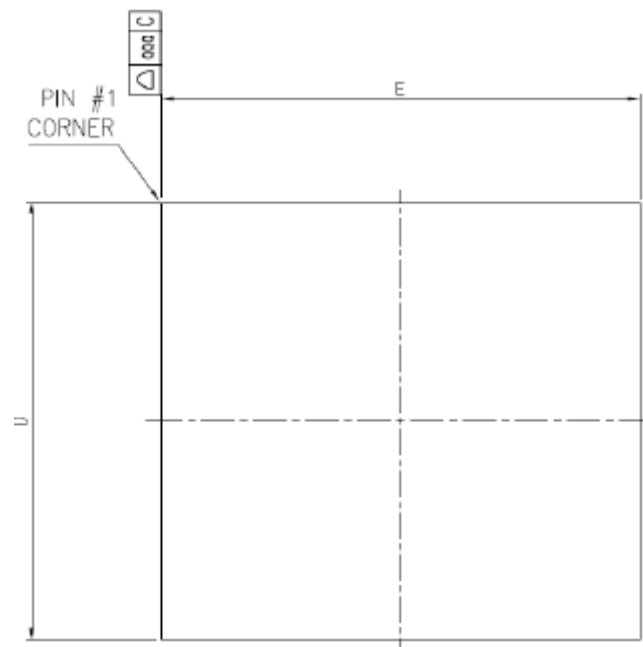


Figure 8-1 Top View

Side View

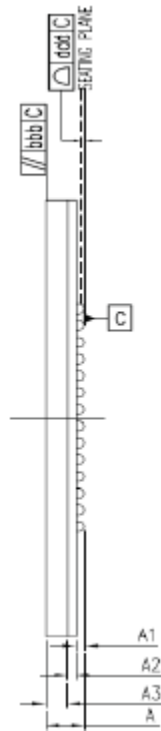


Figure 8-2 Side View

Bottom View

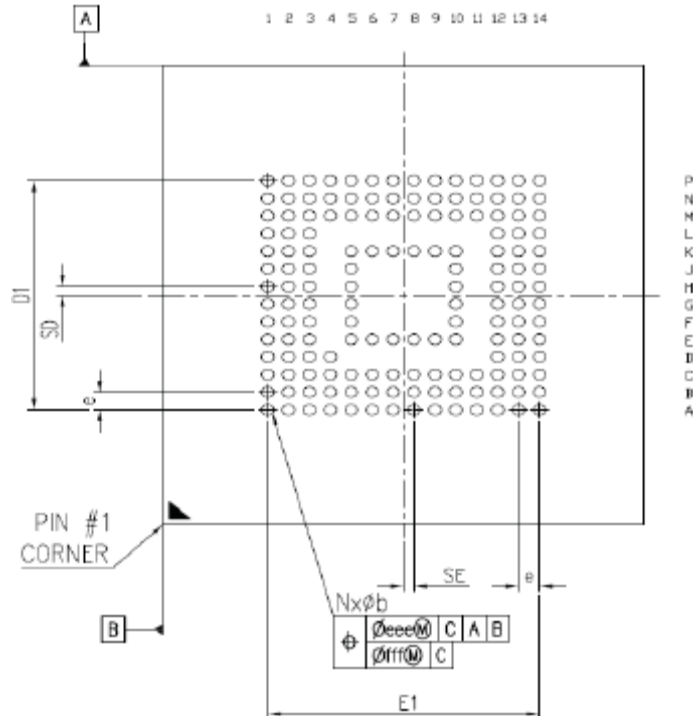


Figure 8-3 Bottom View

	SYMBOL	DIMENSION IN MM		
		MIN.	NOM.	MAX.
TOTAL THICKNESS	A	0.82	0.93	1.00
STAND OFF	A1	0.16	0.21	0.26
SUBSTRATE THICKNESS	A2	0.20		
MOLD THICKNESS	A3	0.52		
BODY SIZE	D	13		
	E	11.5		
BALL DIAMETER		0.30		
BALL OPENING		0.275/0.28		
BALL WIDTH	b	0.25	0.30	0.35
BALL PITCH	e	0.50		
BALL COUNT	N	153		
EDGE BALL CENTER TO CENTER	D1	6.50 BSC.		
	E1	6.50 BSC.		
BODY CENTER TO CONTACT BALL	SD	0.25 BSC.		
	SE	0.25 BSC.		
JEDEC(REF)		MO-276(REF.)		
PACKAGE EDGE TOLERANCE	aaa	0.15		
MOLD FLATNESS	bbb	0.20		
COPLANARITY	ddd	0.08		
BALL OFFSET(PACKAGE)	eee	0.15		
BALL OFFSET(BALL)	fff	0.05		

## 9. Product Ordering Information

### 9.1 Product Code Designations

Apacer EM110 is available in different configurations and densities. See the chart below for a comprehensive list of options for the EM110 series devices.

Code	1	2	3	4	5	6	7	8	9	10	11	12	13	14	15	16
	A	M	6	.	1	2	2	X	B	A	.	0	0	1	0	2

<b>Code 1-3 (Model Name)</b>	EM110
<b>Code 5-6 (Model/Solution)</b>	Embedded MultiMedia Card
<b>Code 7-8 (Product Capacity)</b>	2D: 8GB 2E: 16GB
<b>Code 9 (Flash Type &amp; Product Temp)</b>	2D MLC Wide Temperature
<b>Code 10 (Product Spec)</b>	eMMC
<b>Code 12-14 (Version Number)</b>	Random numbers generated by system
<b>Code 15-16 (Firmware Version)</b>	Wide Temperature

## 9.2 Valid Combinations

The following table lists the available models of the Apacer EM110 series which are in mass production or will be in mass production. Consult your Apacer sales representative to confirm availability of valid combinations and to determine availability of new combinations.

Capacity	Valid Combination
8GB	AM6.112DBA.00102
16GB	AM6.112EBA.00102

## Revision History

Revision	Description	Date
0.1	Preliminary release	11/7/2023
1.0	Official release	11/9/2023
1.1	Added Tc and Ta to operating and storage temperatures respectively at Product Features and Table 3-3	5/9/2024

## Global Presence

### Taiwan (Headquarters)

#### Apacer Technology Inc.

1F., No.32, Zhongcheng Rd., Tucheng Dist.,  
New Taipei City 236, Taiwan R.O.C.  
Tel: 886-2-2267-8000  
Fax: 886-2-2267-2261  
[amtsales@apacer.com](mailto:amtsales@apacer.com)

### U.S.A.

#### Apacer Memory America, Inc.

46732 Lakeview Blvd., Fremont, CA 94538  
Tel: 1-408-518-8699  
Fax: 1-510-249-9551  
[sa@apacerus.com](mailto:sa@apacerus.com)

### Japan

#### Apacer Technology Corp.

6F, Daiyontamachi Bldg., 2-17-12, Shibaura, Minato-Ku,  
Tokyo, 108-0023, Japan  
Tel: 81-3-5419-2668  
Fax: 81-3-5419-0018  
[jpservices@apacer.com](mailto:jpservices@apacer.com)

### Europe

#### Apacer Technology B.V.

Science Park Eindhoven 5051 5692 EB Son,  
The Netherlands  
Tel: 31-40-267-0000  
Fax: 31-40-290-0686  
[sales@apacer.nl](mailto:sales@apacer.nl)

### China

#### Apacer Electronic (Shanghai) Co., Ltd

Room D, 22/FL, No.2, Lane 600, JieyunPlaza,  
Tianshan RD, Shanghai, 200051, China  
Tel: 86-21-6228-9939  
Fax: 86-21-6228-9936  
[sales@apacer.com.cn](mailto:sales@apacer.com.cn)

### India

#### Apacer Technologies Pvt Ltd,

1874, South End C Cross, 9<sup>th</sup> Block Jayanagar,  
Bangalore-560069, India  
Tel: 91-80-4152-9061/62  
Fax: 91-80-4170-0215  
[sales\\_india@apacer.com](mailto:sales_india@apacer.com)