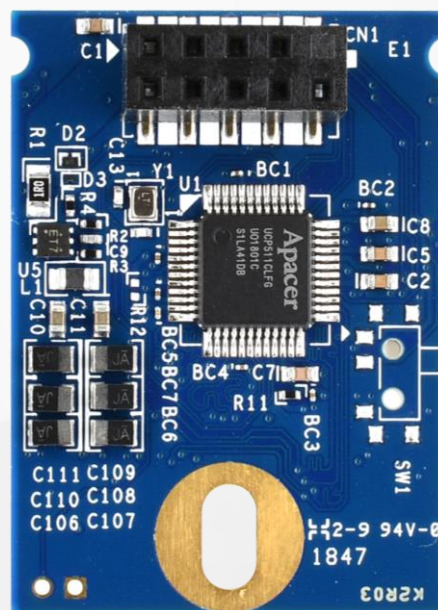


RoHS Recast Compliant

## USB Flash Drive

UH110-UFM1 Product Specifications



September 29, 2021

Version 1.7



**Apacer Technology Inc.**

1F, No.32, Zhongcheng Rd., Tucheng Dist., New Taipei City, Taiwan, R.O.C

Tel: +886-2-2267-8000 Fax: +886-2-2267-2261

[www.apacer.com](http://www.apacer.com)

## Specifications Overview:

- **USB2.0 High-Speed and USB1.1 Full-Speed Compatible Interface**
- **Capacity**
  - 8, 16, 32 GB
- **Performance\***
  - Sequential read: Up to 41 MB/sec
  - Sequential write: Up to 25 MB/sec
  - Random read (4K): Up to 1,800 IOPS
  - Random write (4K): Up to 500 IOPS
- **Flash Management**
  - Low-Density Parity-Check (LDPC) Code
  - Flash bad-block management
  - Flash Translation Layer: Page Mapping
  - Global Wear Leveling
  - Power Failure Management
  - S.M.A.R.T.
  - SLC-liteX
  - SMART Read Refresh™
- **Support Non-Removable Setting**
- **NAND Flash Type:** 3D TLC (BiCS3)
- **Firmware Version:** SLC-liteX
- **MTBF:** >3,000,000 hours
- **Endurance (in drive writes per day : DWPD)**
  - 8 GB: 21.9 DWPD
  - 16 GB: 21.91 DWPD
  - 32 GB: 21.91 DWPD
- **Temperature Range**
  - Operating:
    - Standard: 0°C to 70°C
    - Wide: -40°C to 85°C
  - Storage: -40°C to 100°C
- **Support Boot-up Function for OS**
  - Linux: 4.15
- **Power Consumption\***
  - Operating voltage: 5V (with a certain percentage of tolerance)
  - Active mode: 95 mA
  - Idle mode: 70 mA
- **Connector**
  - 10-pin (2x5) female header in 2.54mm
- **Dimensions**
  - 36.9(L) x 26.6(W) x 9.7(H), unit: mm
- **RoHS Recast Compliant (2011/65/EU)**

\*Varies from capacities. The values for performances and power consumptions presented are typical and may vary depending on flash configurations or platform settings.

## Table of Contents

|  |           |
|--|-----------|
| <b>1. General Descriptions .....</b>                     | <b>3</b>  |
| <b>2. Functional Block .....</b>                         | <b>3</b>  |
| <b>3. Pin Assignments.....</b>                           | <b>4</b>  |
| <b>4. Product &amp; Reliability Specifications .....</b> | <b>5</b>  |
| 4.1 Capacity Specifications .....                        | 5         |
| 4.2 Performance Specifications.....                      | 5         |
| 4.3 Environmental Specifications .....                   | 5         |
| 4.4 Mean Time Between Failures (MTBF) .....              | 6         |
| 4.5 Certification and Compliance.....                    | 6         |
| 4.6 Endurance .....                                      | 6         |
| <b>5. Flash Management .....</b>                         | <b>7</b>  |
| 5.1 Performance-optimized Controller.....                | 7         |
| 5.2 Error Correction/Detection.....                      | 7         |
| 5.3 Global Wear Leveling .....                           | 7         |
| 5.4 Flash Translation Layer – Page Mapping.....          | 7         |
| 5.5 Power Failure Management .....                       | 7         |
| 5.6 S.M.A.R.T. ....                                      | 8         |
| 5.7 SLC-liteX.....                                       | 8         |
| 5.8 SMART Read Refresh™ .....                            | 8         |
| <b>6. Electrical Specifications.....</b>                 | <b>9</b>  |
| 6.1 Operating Conditions .....                           | 9         |
| 6.2 AC Characteristics .....                             | 10        |
| <b>7. Physical Dimensions .....</b>                      | <b>11</b> |
| <b>8. Product Ordering Information .....</b>             | <b>12</b> |
| 8.1 Product Code Designations.....                       | 12        |
| 8.2 Valid Combinations.....                              | 13        |

## 1. General Descriptions

Apacer's UH110-UFM1 is a high performance, embedded solid state drive (SSD) designed to replace a conventional IDE hard disk drive. As an embedded flash storage, UH110-UFM1 is compliant with USB2.0 and backward compliant with USB1.1. Utilizing 3D NAND, UH110-UFM1 offers capacity up to 32GB and provides more power efficiency than 2D NAND, and can be plugged into a standard Embedded USB connector commonly found in desktops, portable PC systems and industrial PC systems. Regarding reliability, UH110-UFM1 is implemented with LDPC (Low Density Parity Check) ECC engine to extend SSD endurance and increase data reliability. This product is well suited for embedded flash storage applications offering new and expanded functionality as well as more cost-effective designs, better performance and increased reliability.

## 2. Functional Block

UH110-UFM1 contains a controller, embedded firmware, and Flash Media with a female connector. It interfaces with the host system allowing data to be written to and read from the Flash Media.

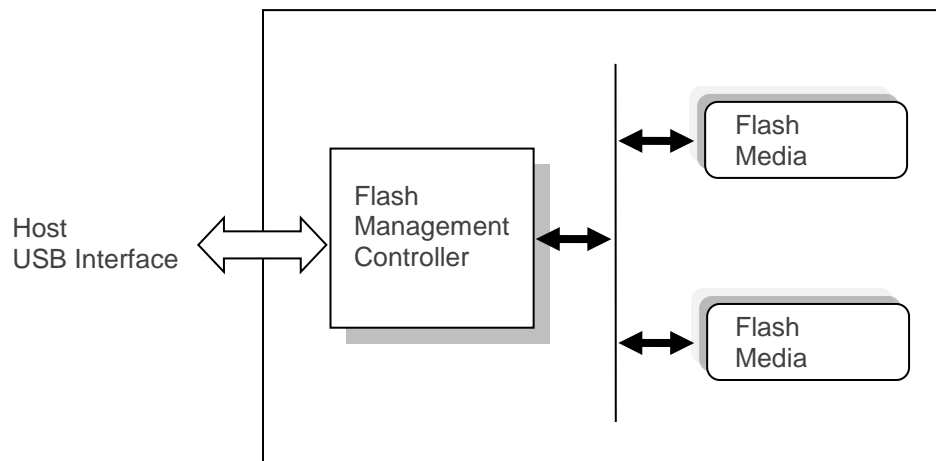
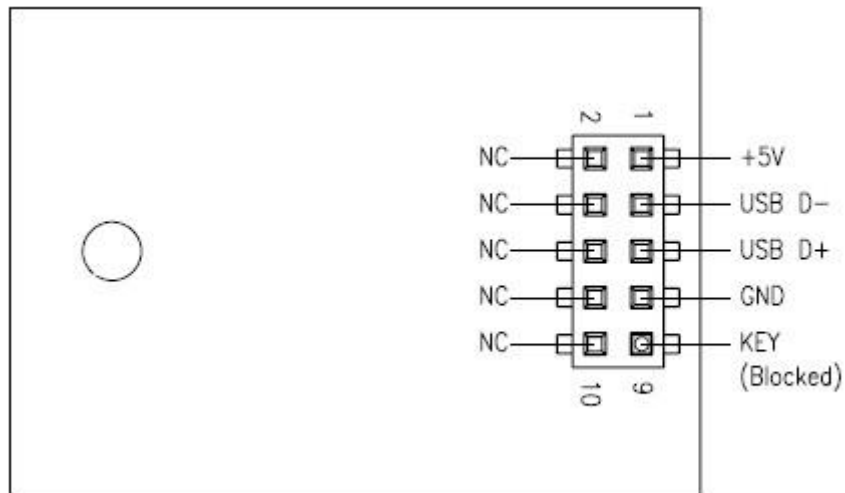


Figure 2-1 Functional Block Diagram

### 3. Pin Assignments

This chapter provides information on the pin assignments and signal descriptions.



**Table 3-1** Pin Assignment of the 10-Pin Configuration

| Pin | Signal        | Pin | Signal |
|-----|---------------|-----|--------|
| 1   | +5V           | 2   | N.C    |
| 3   | USB D-        | 4   | N.C    |
| 5   | USB D+        | 6   | N.C    |
| 7   | GND           | 8   | N.C    |
| 9   | Key (Blocked) | 10  | N.C    |

## 4. Product & Reliability Specifications

### 4.1 Capacity Specifications

UH110-UFM1 is available as shown in Table 4-1.

**Table 4-1** Capacity Specifications

| Capacity | Total Bytes    | Total LBA  |
|----------|----------------|------------|
| 8GB      | 7,745,863,680  | 15,128,640 |
| 16GB     | 15,522,103,296 | 30,316,608 |
| 32GB     | 31,041,060,864 | 60,627,072 |

Note: The number of total bytes may vary depending on the file system in use.

### 4.2 Performance Specifications

Performance of UH110-UFM1 is listed below in Table 4-2.

**Table 4-2** Performance Specifications

| Capacity                        | 8 GB  | 16 GB | 32 GB |
|---------------------------------|-------|-------|-------|
| <b>Performance</b>              |       |       |       |
| <b>Sequential Read* (MB/s)</b>  | 41    | 41    | 41    |
| <b>Sequential Write* (MB/s)</b> | 25    | 25    | 25    |
| <b>Random Read IOPS** (4K)</b>  | 1,700 | 1,700 | 1,800 |
| <b>Random Write IOPS** (4K)</b> | 500   | 500   | 500   |

Note:

Results may differ from various flash configurations or host system setting, and the above test results are based on the default file structure with FAT 32 file system.

\*Sequential performance is based on CrystalDiskMark 5.2.1 with file size 1,000MB.

\*\*Random performance measured using IOMeter with Queue Depth 32.

### 4.3 Environmental Specifications

Environmental specification of UH110-UFM1 is available as shown in Table 4-3.

**Table 4-3** Environmental Specifications

| Item        | Specifications |  |
|-------------|----------------|--|
| Temperature | Operation      | 0°C to 70°C (Standard); -40°C to 85°C (Wide)                 |
|             | Storage        | -40°C to 100°C   |
| Shock       | Operating      | 50(G)/11(ms)/half sine (compliant with MIL-STD-202G)         |
|             | Non-operating  | 1,500(G)/0.5(ms)/half sine (compliant with MIL-STD-202G)     |
| Vibration   | Operating      | 7.69(Grms), 20~2000(Hz)/random (compliant with MIL-STD-810G) |
|             | Non-operating  | 4.02(Grms), 15~2000(Hz)/random (compliant with MIL-STD-810G) |
| EMC         | FCC, CE        |  |

## 4.4 Mean Time Between Failures (MTBF)

Mean Time Between Failures (MTBF) is predicted based on reliability data for the individual components in Apacer’s USB flash drive. Serving as statistical reference, the prediction result for Apacer’s UH110-UFM1 is more than 3,000,000 hours.

Note: The MTBF is predicated and calculated based on “Telcordia Technologies Special Report, SR-332, Issue 3” method.

## 4.5 Certification and Compliance

UH110-UFM1 complies with the following standards:

- CE
- FCC
- RoHS Recast
- MIL-STD-810G

## 4.6 Endurance

The endurance of a storage device is predicted by Drive Writes Per Day based on several factors related to usage, such as the amount of data written into the drive, block management conditions, and daily workload for the drive. Thus, key factors, such as Write Amplifications and the number of P/E cycles, can influence the lifespan of the drive.

**Table 4-4** Endurance Specifications

| Capacity | Drive Writes Per Day |
|----------|----------------------|
| 8 GB     | 21.9                 |
| 16 GB    | 21.91                |
| 32 GB    | 21.91                |

Note:

- This estimation values are based on sequential write behavior (Apacer EDTestTool, test mode –sequential data pattern -100.00% of disk space with 128K)
- Flash vendor guaranteed 3D SLC-liteX P/E cycle: 30K
- WAF may vary from capacity, flash configurations and writing behavior on each platform.
- 1 Terabyte = 1024GB
- DWPD (Drive Write Per Day) is calculated based on the number of times that user overwrites the entire capacity of an SSD per day of its lifetime during the warranty period. (3D SLC-liteX warranty: 5 years)

## 5. Flash Management

### 5.1 Performance-optimized Controller

The heart of UH110-UFM1 is the USB controller, which translates standard USB signals into the data and controls of the flash media. This proprietary USB controller is specifically designed to attain high data throughput from host to flash.

### 5.2 Error Correction/Detection

UH110-UFM1 implements a hardware ECC scheme, based on the Low Density Parity Check (LDPC). LDPC is a class of linear block error correcting code which has apparent coding gain over BCH code because LDPC code includes both hard decoding and soft decoding algorithms. With the error rate decreasing, LDPC can extend SSD endurance and increase data reliability while reading raw data inside a flash chip.

### 5.3 Global Wear Leveling

Flash memory can be erased a limited number of times, This number is called the erase cycle limit, or write endurance limit, The erase cycle limit applies to each individual erase block in the flash device.

In a typical application, and especially if a file system is used, specific pages are constantly updated (e.g., the page that contains the FAT, registry, etc.). Without any special handling, these pages would wear out more rapidly than other pages, reducing the lifetime of the entire flash.

To overcome this inherent deficiency, Apacer's UH110-UFM1 uses Global Wear Leveling algorithm. This algorithm ensures that consecutive writes of a specific sector are not written physically to the same page in the flash. This spreads flash media usage evenly across all pages, thereby maximizing flash lifetime.

The Global Wear Leveling mechanism provides write/erase cycles for reliable data storage over an extended period.

### 5.4 Flash Translation Layer – Page Mapping

Page mapping is an advanced flash management technology whose essence lies in the ability to gather data, distribute the data into flash pages automatically, and then schedule the data to be evenly written. Page-level mapping uses one page as the unit of mapping. The most important characteristic is that each logical page can be mapped to any physical page on the flash memory device. This mapping algorithm allows different sizes of data to be written to a block as if the data is written to a data pool and it does not need to take extra operations to process a write command. Thus, page mapping is adopted to increase random access speed and improve SSD lifespan, reduce block erase frequency, and achieve optimized performance and lifespan.

### 5.5 Power Failure Management

Power Failure Management plays a crucial role when power supply becomes unstable. Power disruption may occur when users are storing data into the SSD, leading to instability in the drive. However, with Power Failure Management, a firmware protection mechanism will be activated to scan pages and blocks once power is resumed. Valid data will be transferred to new blocks for merging and the mapping table will be rebuilt. Therefore, data reliability can be reinforced, preventing damage to data stored in the NAND Flash.

## 5.6 S.M.A.R.T.

S.M.A.R.T. is an abbreviation for Self-Monitoring, Analysis and Reporting Technology, a self-monitoring system that provides indicators of drive health as well as potential disk problems. It serves as a warning for users from unscheduled downtime by monitoring and displaying critical drive information. Ideally, this should allow taking proactive actions to prevent drive failure and make use of S.M.A.R.T. information for future product development reference.

## 5.7 SLC-liteX

SLC-liteX is based on 3D NAND technology. The firmware is carefully tweaked by our engineering team so as to offer the greatest number of P/E cycles in this format – 30,000, which is 10 times more than MLC or industrial 3D TLC. Cost-savings can be realized for buyers who want to get the longest lifespans possible.

## 5.8 SMART Read Refresh™

Apacer's SMART Read Refresh plays a proactive role in avoiding read disturb errors from occurring to ensure health status of all blocks of NAND flash. Developed for read-intensive applications in particular, SMART Read Refresh is employed to make sure that during read operations, when the read operation threshold is reached, the data is refreshed by re-writing it to a different block for subsequent use.

## 6. Electrical Specifications

### 6.1 Operating Conditions

**Caution: Absolute Maximum Stress Ratings** – Applied conditions greater than those listed under “Absolute Maximum Stress Ratings” may cause permanent damage to the device. This is a stress rating only and functional operation of the device at these conditions or conditions greater than those defined in the operational sections of this data sheet is not implied. Exposure to absolute maximum stress rating conditions may affect device reliability.

**Table 6-1** Operating Range

| Range                | Ambient Temperature | Voltage  |
|----------------------|---------------------|----------|
| Standard Temperature | 0°C to 70°C         | 4.5-5.5V |
| Wide Temperature     | -40°C to 85°C       |          |

**Table 6-2** Absolute maximum power pin stress ratings

| Parameter   | Symbol   | Min       | Max      | Unit |
|---|----------|-----------|----------|------|
| Power Supply Input                                | VDD- VSS | -0.3      | 5.5      | V    |
| Voltage on any pin except VDD with respect to GND | VIN      | -ss - 0.3 | VDD +0.3 | V    |

**Table 6-3** Power Consumption

| Mode \ Capacity | Capacity |       |       |
|-----------------|----------|-------|-------|
|                 | 8 GB     | 16 GB | 32 GB |
| Active (mA)     | 95       | 95    | 95    |
| Standby (mA)    | 70       | 70    | 70    |

Note:

\*All values are typical and may vary depending on flash configurations or host system settings.

\*\*Active power is an average power measurement performed using CrystalDiskMark with 128KB sequential read/write transfers.

## 6.2 AC Characteristics

**Table 6-4 AC Characteristics Full Speed**

| Parameter                                | Symbol     | Min | Typ | Max    | Unit     |
|--|------------|-----|-----|--------|----------|
| Rise Time                                | $T_{FR}$   | 4   | —   | 20     | ns       |
| Fall Time                                | $T_{FF}$   | 4   | —   | 20     | ns       |
| Differential Rise and Fall Time Matching | $T_{FRFM}$ | 90  |     | 111.11 | %        |
| Driver Output Resistance                 | $Z_{DRV}$  | 28  | —   | 44     | $\Omega$ |

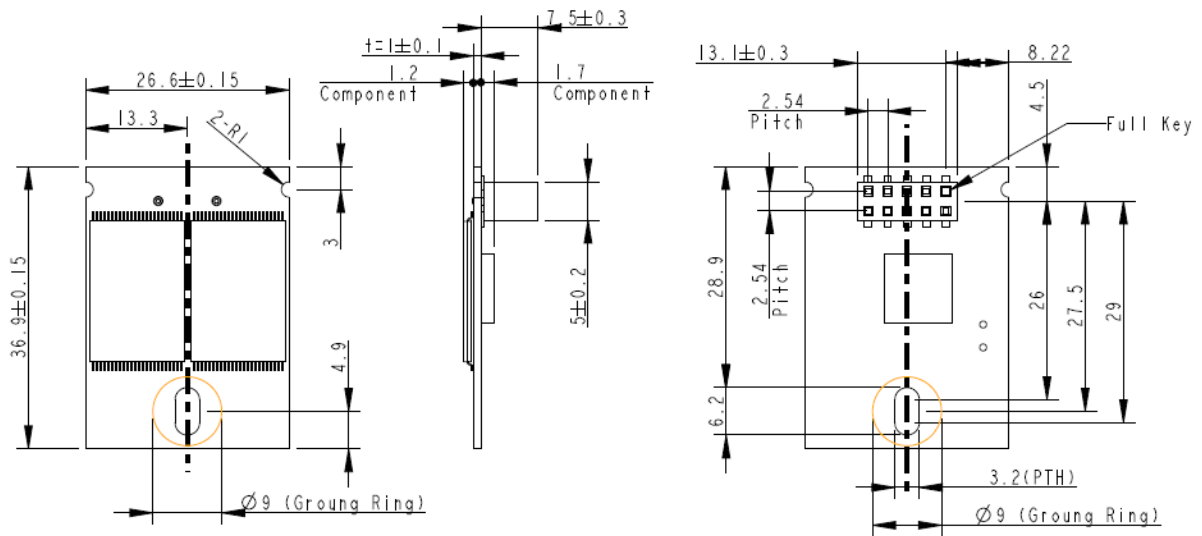
**Table 6-5 AC Characteristics High Speed**

| Parameter                | Symbol      | Min  | Typ | Max  | Unit     |
|--------------------------|-------------|------|-----|------|----------|
| Rise Time (10%~90%)      | $T_{HSR}$   | 500  | —   | —    | ps       |
| Fall Time (10%~90%)      | $T_{HSF}$   | 500  | —   | —    | ps       |
| Driver Output Resistance | $Z_{HSDRV}$ | 40.5 | —   | 49.5 | $\Omega$ |

## 7. Physical Dimensions

Horizontal Design – Type C (STD 90D-MS)

| Length  | Width   | Height (Max) |
|---------|---------|--------------|
| 36.9 mm | 26.6 mm | 9.7 mm       |



Unit: mm  
Tolerance:  $\pm 0.2$

## 8. Product Ordering Information

### 8.1 Product Code Designations

| Code | 1 | 2 | 3 | 4 | 5 | 6 | 7 | 8 | 9 | 10 | 11 | 12 | 13 | 14 | 15 | 16 |
|------|---|---|---|---|---|---|---|---|---|----|----|----|----|----|----|----|
|      | A | P | 2 | . | 1 | 1 | 8 | X | X | N  | .  | X  | X  | X  | 1  | 2  |

|  |  |
|--|--|
| <b>Code 1-3<br/>(Product Line &amp; Form Factor)</b> | USB+UFM1   |
| <b>Code 5-6<br/>(Model/Solution)</b>                 | UH110-UFM1   |
| <b>Code 7-8<br/>(Product Capacity)</b>               | 8F: 8GB<br>8G: 16GB<br>8H: 32GB  |
| <b>Code 9<br/>(Flash Type &amp; Product Temp)</b>    | L: 3D SLC-lite standard temperature<br>M: 3D SLC-lite wide temperature |
| <b>Code 10<br/>(Product Spec)</b>                    | UH110-UFM1 (90D Type C)  |
| <b>Code 12-14<br/>(Version Number)</b>               | Random numbers generated by system                                     |
| <b>Code 15-16<br/>(Firmware Version)</b>             | UFPA403A   |

## 8.2 Valid Combinations

| Capacity | Standard Temperature | Wide Temperature |
|----------|----------------------|------------------|
| 8GB      | AP2.118FLN.00112     | AP2.118FMN.00112 |
| 16GB     | AP2.118GLN.00112     | AP2.118GMN.00112 |
| 32GB     | AP2.118HLN.00112     | AP2.118HMN.00112 |

**Note:** Valid combinations are those products in mass production or will be in mass production. Consult your Apacer sales representative to confirm availability of valid combinations and to determine availability of new combinations.

## Revision History

| Revision | Description  | Date      |
|----------|--|-----------|
| 1.0      | Initial release  | 4/7/2020  |
| 1.1      | - Added Page Mapping, Hyper Cache and SMART Read Refresh to Flash Management on Specifications Overview page<br>- Added 5.4 Flash Translation Layer – Page Mapping, 5.7 Hyper Cache Technology and 5.8 SMART Read Refresh™ | 4/20/2020 |
| 1.2      | Updated 1. General Descriptions by adding a description regarding USB2.0 compliance and USB1.1 compatibility   | 8/11/2020 |
| 1.3      | - Added Power Failure Management to Flash Management on Specifications Overview page<br>- Added 5.5 Power Failure Management   | 11/6/2020 |
| 1.4      | Added total LBA to Table 4-1   | 2/25/2021 |
| 1.5      | - Updated Endurance on Specifications Overview page<br>- Updated 4.6 Endurance   | 3/17/2021 |
| 1.6      | Updated 8.1 Product Code Designations by changing the description of code 5-6 to UH110-UFM1  | 3/19/2021 |
| 1.7      | Removed Hyper Cache Technology support   | 9/29/2021 |

## Global Presence

### Taiwan (Headquarters)

#### Apacer Technology Inc.

1F., No.32, Zhongcheng Rd., Tucheng Dist.,  
New Taipei City 236, Taiwan R.O.C.  
Tel: 886-2-2267-8000  
Fax: 886-2-2267-2261  
[amtsales@apacer.com](mailto:amtsales@apacer.com)

### U.S.A.

#### Apacer Memory America, Inc.

46732 Lakeview Blvd., Fremont, CA 94538  
Tel: 1-408-518-8699  
Fax: 1-510-249-9551  
[sa@apacerus.com](mailto:sa@apacerus.com)

### Japan

#### Apacer Technology Corp.

6F, Daiyontamachi Bldg., 2-17-12, Shibaura, Minato-Ku,  
Tokyo, 108-0023, Japan  
Tel: 81-3-5419-2668  
Fax: 81-3-5419-0018  
[jpservices@apacer.com](mailto:jpservices@apacer.com)

### Europe

#### Apacer Technology B.V.

Science Park Eindhoven 5051 5692 EB Son,  
The Netherlands  
Tel: 31-40-267-0000  
Fax: 31-40-290-0686  
[sales@apacer.nl](mailto:sales@apacer.nl)

### China

#### Apacer Electronic (Shanghai) Co., Ltd

Room D, 22/FL, No.2, Lane 600, JieyunPlaza,  
Tianshan RD, Shanghai, 200051, China  
Tel: 86-21-6228-9939  
Fax: 86-21-6228-9936  
[sales@apacer.com.cn](mailto:sales@apacer.com.cn)

### India

#### Apacer Technologies Pvt Ltd,

1874, South End C Cross, 9<sup>th</sup> Block Jayanagar,  
Bangalore-560069, India  
Tel: 91-80-4152-9061/62  
Fax: 91-80-4170-0215  
[sales\\_india@apacer.com](mailto:sales_india@apacer.com)