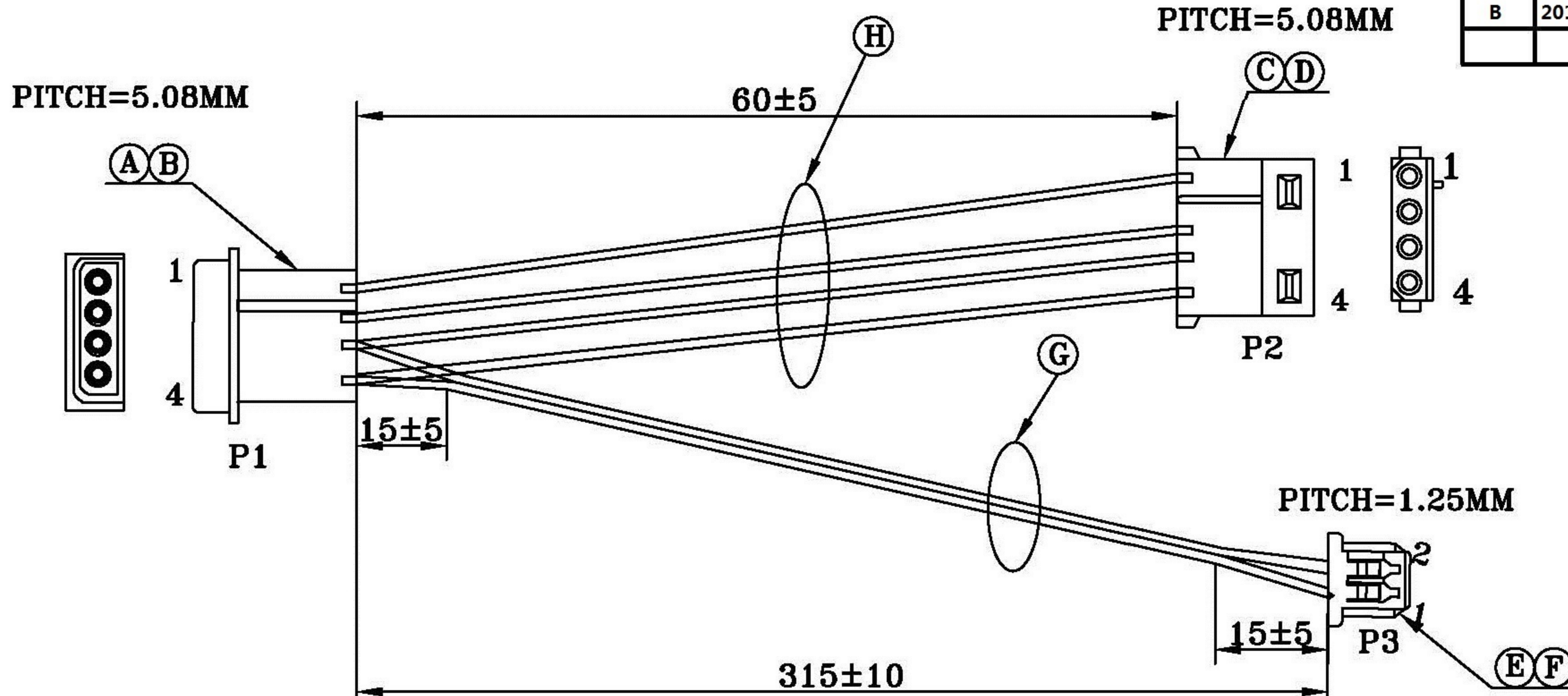


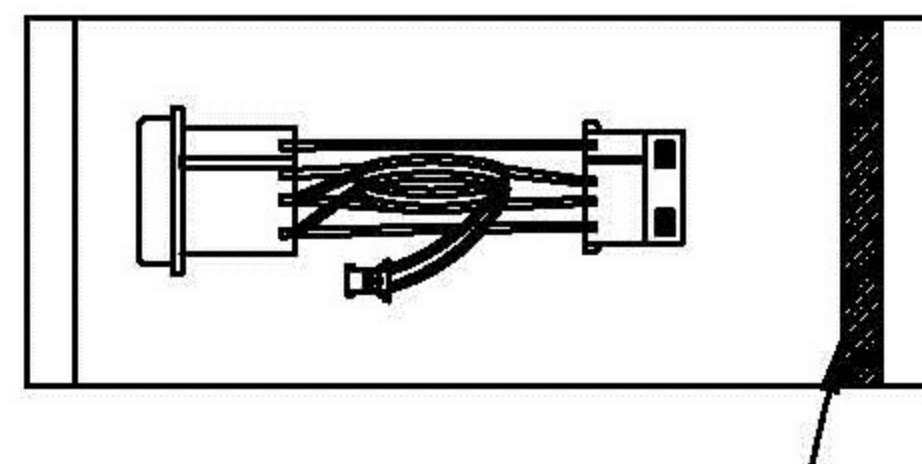
REV	DATE	DETAILS
B	2014.10.31	P1,P2 ONLY USING WST



PS:FOLD UP THE CABLE IN P1~P3

TERMINATION:

P1	COLOR	P2	P3
1	YELLOW	1	
2	BLACK	2	
3	BLACK	3	2
4	RED	4	1



sealing machine

I	PE BAG	PE BAG 150*50mm	1
H	WIRE	WIRE UL1007#18 AWG XINYA OR TATUNG OR REI HSING	4
G	WIRE	WIRE UL 1061#28 AWG RED & BLACK MERGED RAI HSING OR XINYA	1
F	TERMINAL	TERMINAL 1025-T-T-S WL OR 1251 AMA	2
E	HOUSING	HOUSING 1025-H-02 WL OR 1251-2Y AMA	1
D	TERMINAL	TERMINAL A10204BS-2 WST	4
C	HOUSING	HOUSING P4-A10202 WST	1
B	TERMINAL	TERMINAL A00202BS-2 WST	4
A	HOUSING	HOUSING P4-A00202 WST	1
ITEM		DESCRIPTION	Q'TY



翔霖國際有限公司
SHINING INTERNATIONAL LTD

APPROVED	CHECKED	DRAWN BY	UNIT	TITLE	CUSTOMER P.Number	D.W NUMBER	REV
		FANG	mm	POWER4P*2 TO	41.06465.1500C		B
		2010.03.16	SCALE	HSG2P L=60/315mm	CUSTOMER Name	YZ100316HSG315	PAGE NO
			NOT		YZ		1 / 1