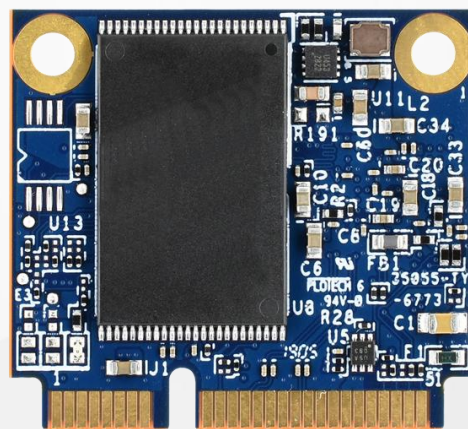


RoHS Recast Compliant Serial ATA Flash Drive

SH250-300B Product Specifications



March 9, 2020

Version 1.1



Apacer Technology Inc.

1F, No.32, Zhongcheng Rd., Tucheng Dist., New Taipei City, Taiwan, R.O.C

Tel: +886-2-2267-8000 Fax: +886-2-2267-2261

www.apacer.com

Specifications Overview:

- **Compliance with SATA Interface**
 - Serial ATA Revision 3.1
 - SATA 6 Gb/s
 - ATA-8 command set
 - Backward compatible with SATA 1.5/3 Gb/s
- **Capacity**
 - 10, 20, 40, 80 GB
- **Performance***
 - Burst read/write: 600 MB/sec
 - Sequential read: Up to 560 MB/sec
 - Sequential write: Up to 510 MB/sec
 - Random read (4K): Up to 55,000 IOPS
 - Random write (4K): Up to 76,000 IOPS
- **Flash Management**
 - Low-Density Parity-Check (LDPC) Code
 - Global Wear Leveling
 - Flash bad-block management
 - Flash Translation Layer: Page Mapping
 - S.M.A.R.T.
 - DataDefender™
 - Devslp
 - ATA Secure Erase
 - TRIM
 - Hyper Cache Technology
 - Over-Provisioning
 - SMART Read Refresh™
 - SLC-liteX
- **Endurance (in drive writes per day: DWPD)**
 - 10 GB: 11.09 DWPD
 - 20 GB: 12.17 DWPD
 - 40 GB: 11.31 DWPD
 - 80 GB: 10.96 DWPD
- **Temperature Range**
 - Operating:
 - Standard: 0°C to 70°C
 - Wide: -40°C to 85°C
 - Storage: -40°C to 100°C
- **Supply Voltage**
 - 3.3 V ± 5%
- **Power Consumption***
 - Active mode: 420 mA
 - Idle mode: 65 mA
- **Connector Type**
 - 52-pin mSATA connector
- **NAND Flash Type: 3D TLC (BiCS3)**
- **MTBF: >1,000,000 hours**
- **SATA Power Management Modes**
- **Form Factor**
 - mSATA mini, JEDEC MO-300B
 - Dimensions: 29.85 x 26.80 x 3.85, unit: mm
 - Net Weight: 3.82 g ± 5%
- **Reliability**
 - Thermal Sensor
 - End-to-End Data Protection
- **Security**
 - AES 256-bit hardware encryption
- **Shock & Vibration****
 - Shock: 1,500 G
 - Vibration: 15 G
- **LED Indicators for Drive Behavior**
- **RoHS Recast Compliant (Complies with 2011/65/EU Standard)**

*Varies from capacities. The values for performances and power consumptions presented are typical and may vary depending on flash configurations or platform settings. The term idle refers to the standby state of the device.

**Non-operating

Table of Contents

| | |
|---|-----------|
| 1. General Descriptions | 4 |
| 2. Functional Block | 4 |
| 3. Pin Assignments..... | 5 |
| 4. Product Specifications..... | 7 |
| 4.1 Capacity..... | 7 |
| 4.2 Performance | 7 |
| 4.3 Environmental Specifications | 8 |
| 4.4 Mean Time Between Failures (MTBF) | 8 |
| 4.5 Certification and Compliance..... | 8 |
| 4.6 Endurance | 9 |
| 4.7 LED Indicator Behavior..... | 9 |
| 5. Flash Management..... | 10 |
| 5.1 Error Correction/Detection..... | 10 |
| 5.2 Bad Block Management | 10 |
| 5.3 Global Wear Leveling | 10 |
| 5.4 DataDefender™..... | 10 |
| 5.5 ATA Secure Erase..... | 10 |
| 5.6 TRIM..... | 11 |
| 5.7 Flash Translation Layer – Page Mapping..... | 11 |
| 5.8 Devslp Mode..... | 11 |
| 5.9 Hyper Cache Technology | 11 |
| 5.10 Over-Provisioning..... | 12 |
| 5.11 SATA Power Management..... | 12 |
| 5.12 SMART Read Refresh™ | 12 |
| 5.13 SLC-liteX..... | 12 |
| 6. Security & Reliability Features | 13 |
| 6.1 Advanced Encryption Standard..... | 13 |
| 6.2 End-to-End Data Protection..... | 13 |
| 6.3 Thermal Sensor | 13 |
| 7. Software Interface | 14 |
| 7.1 Command Set..... | 14 |
| 7.2 S.M.A.R.T. | 15 |

| | |
|--|-----------|
| 8. Electrical Specifications | 17 |
| 8.1 Operating Voltage..... | 17 |
| 8.2 Power Consumption | 17 |
| 9. Physical Characteristics..... | 18 |
| 9.1 Dimensions | 18 |
| 9.2 Net Weight..... | 18 |
| 10. Product Ordering Information..... | 19 |
| 10.1 Product Code Designations..... | 19 |
| 10.2 Valid Combinations..... | 20 |

1. General Descriptions

Apacer’s SH250-300B is a well-balanced solid-state disk (SSD) drive with standard form factor and great performance. Designed in SATA 6 Gb/s interface, the SSD is able to deliver exceptional read/write speed, making it the ideal companion for heavy-loading industrial or server operations.

SH250-300B utilizes 3D NAND for higher capacity up to 80GB and provides more power efficiency than 2D NAND. Appearing in SH250-300B mechanical dimensions, SH250-300B is believed to be the leading add-in storage solution for future host computing systems. Regarding reliability, SH250-300 is implemented with LDPC (Low Density Parity Check) ECC engine to extend SSD endurance and increase data reliability. With Apacer’s SLC-liteX technology, SH250-300B performs with higher number of P/E cycles up to 30,000 times. Since it is operating under SATA 6.0 Gb/s interface, SH250-300B is provided with Apacer latest S.M.A.R.T. that is primarily oriented for the latest SATA interface SSD, for drive lifetime monitoring and analysis. In addition, the drive comes with various implementations including powerful hardware ECC engine, power saving modes, wear leveling, flash block management, TRIM and DataDefender.

In terms of security, Advanced Encryption Standard (AES) ensures data security and provide users with a peace of mind knowing their data is safeguarded against unauthorized use at all times. Furthermore, with End-to-End Data Protection, data integrity can be assured at multiple points in the path to enable reliable delivery of data transfers.

2. Functional Block

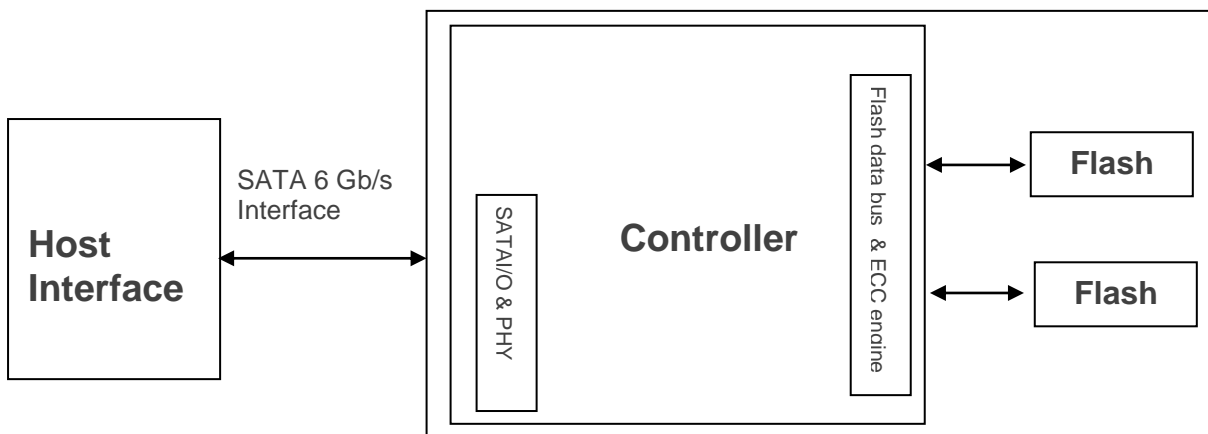


Figure 2-1 Block Diagram

3. Pin Assignments

Pin assignment of the SH250-300B is shown in Figure 3-1 and described in Table 3-1.

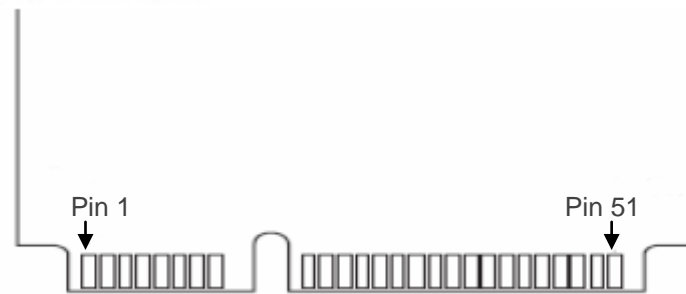


Figure 3-1 Pin Assignment

Table 3-1 Pin Assignment Description

| Pin | Type | Description | Pin | Type | Description |
|-----|----------|--|-----|-------------|--|
| 1 | Reserved | No Connect | 27 | GND | Ground |
| 2 | +3.3V | 3.3V source | 28 | Reserved | No Connect |
| 3 | Reserved | No Connect | 29 | GND | Ground |
| 4 | GND | Ground | 30 | Reserved | No Connect |
| 5 | Reserved | No Connect | 31 | -A | Host Transmitter Differential Signal Pair |
| 6 | Reserved | No Connect | 32 | Reserved | No Connect |
| 7 | Reserved | No Connect | 33 | +A | Host Transmitter Differential Signal Pair |
| 8 | Reserved | No Connect | 34 | GND | Ground |
| 9 | GND | Ground | 35 | GND | Ground |
| 10 | Reserved | No Connect | 36 | Reserved | No Connect |
| 11 | Reserved | No Connect | 37 | GND | Ground |
| 12 | Reserved | No Connect | 38 | Reserved | No Connect |
| 13 | Reserved | No Connect | 39 | +3.3V | 3.3V source |
| 14 | Reserved | No Connect | 40 | GND | Ground |
| 15 | GND | Ground | 41 | +3.3V | 3.3V source |
| 16 | Reserved | No Connect | 42 | Reserved | No Connect |
| 17 | Reserved | No Connect | 43 | Device Type | No Connect |
| 18 | GND | Ground | 44 | DEVSLP | Device Sleep |
| 19 | Reserved | No Connect | 45 | Reserved | No Connect |
| 20 | Reserved | No Connect | 46 | Reserved | No Connect |
| 21 | GND | Ground | 47 | Reserved | No Connect |
| 22 | Reserved | No Connect | 48 | Reserved | No Connect |
| 23 | +B | Host Receiver Differential Signal Pair | 49 | DAS/DSS | Device Activity Signal/Disable Staggered Spin-up |
| 24 | +3.3V | 3.3V Source | 50 | GND | Ground |
| 25 | -B | Host Receiver Differential Signal Pair | 51* | Detect | 0 ohm |
| 26 | GND | Ground | 52 | +3.3V | 3.3V source |

*Notes about Pin51: It is a presence detection pin that shall be connected to GND by a 0 ohm to 220 ohm Resistor on device. Please see the diagram below.



BI-directional host-side Implementation of P51 for compatibility with non-mSATA devices (Informative)

4. Product Specifications

4.1 Capacity

Capacity specifications of SH250-300B are available as shown in Table 4-1. It lists the specific capacity and the default numbers of heads, sectors and cylinders for each product line.

Table 4-1 Capacity Specifications

| Capacity | Total bytes* | Cylinders | Heads | Sectors | Max LBA |
|----------|----------------|-----------|-------|---------|-------------|
| 10 GB | 10,012,778,496 | 16,383 | 16 | 63 | 19,556,208 |
| 20 GB | 20,014,718,976 | 16,383 | 16 | 63 | 39,091,248 |
| 40 GB | 40,018,599,936 | 16,383 | 16 | 63 | 78,161,328 |
| 80 GB | 80,026,361,856 | 16,383 | 16 | 63 | 156,301,488 |

*Display of total bytes varies from file systems, which means not all of the bytes can be used for storage.

**Notes: 1 GB = 1,000,000,000 bytes; 1 sector = 512 bytes.

LBA count addressed in the table above indicates total user storage capacity and will remain the same throughout the lifespan of the device. However, the total usable capacity of the SSD is most likely to be less than the total physical capacity because a small portion of the capacity is reserved for device maintenance usages.

4.2 Performance

Performance of SH250-300B is listed below in Table 4-2.

Table 4-2 Performance Specifications

| Capacity | 10 GB | 20 GB | 40 GB | 80 GB |
|---------------------------------|--------|--------|--------|--------|
| Sequential Read* (MB/s) | 220 | 430 | 560 | 560 |
| Sequential Write* (MB/s) | 135 | 260 | 485 | 510 |
| Random Read IOPS** (4K) | 9,000 | 19,000 | 33,000 | 55,000 |
| Random Write IOPS** (4K) | 29,000 | 58,000 | 72,000 | 76,000 |

Note:

Results may differ from various flash configurations or host system setting.

*Sequential performance is based on CrystalDiskMark 5.2.1 with file size 1,000MB.

**Random performance measured using IOMeter with Queue Depth 32.

4.3 Environmental Specifications

Environmental specifications of SH250-300B product are shown in Table 4-3.

Table 4-3 Environmental Specifications

| Item | Specifications |
|-------------------------|--|
| Operating temp. | 0°C to 70°C (Standard); -40°C to 85°C (Wide) |
| Non-operating temp. | -40°C to 100°C |
| Operating vibration | 7.69 GRMS, 20~2000 Hz/random (compliant with MIL-STD-810G) |
| Non-operating vibration | 4.02 GRMS, 15~2000 Hz/random (compliant with MIL-STD-810G) |
| Operating shock | 50G, 11ms |
| Non-operating shock | 1500G, 0.5ms (compliant with MIL-STD-883K) |

Note: This Environmental Specification table indicates the conditions for testing the device. Real world usages may affect the results.

4.4 Mean Time Between Failures (MTBF)

Mean Time Between Failures (MTBF) is predicted based on reliability data for the individual components in SH250-300B. The prediction result for SH250-300B is more than 1,000,000 hours.

Note: The MTBF is predicated and calculated based on “Telcordia Technologies Special Report, SR-332, Issue 3” method.

4.5 Certification and Compliance

SH250-300B complies with the following standards:

- CE
- FCC
- RoHS Recast
- MIL-STD-810

4.6 Endurance

The endurance of a storage device is predicted by Drive Writes Per Day based on several factors related to usage, such as the amount of data written into the drive, block management conditions, and daily workload for the drive. Thus, key factors, such as Write Amplifications and the number of P/E cycles, can influence the lifespan of the drive.

Table 4-4 Endurance Specifications

| Capacity | Drive Writes Per Day |
|----------|----------------------|
| 10 GB | 11.09 |
| 20 GB | 12.17 |
| 40 GB | 11.31 |
| 80 GB | 10.96 |

Note:

- This estimation complies with JEDEC JESD-219, enterprise endurance workload of random data with payload size distribution
- Flash vendor guaranteed 3D SLC-liteX P/E cycle: 30K
- WAF may vary from capacity, flash configurations and writing behavior on each platform.
- 1 Terabyte = 1,024GB
- DWPD (Drive Writes Per Day) is calculated based on the number of times that user overwrites the entire capacity of an SSD per day of its lifetime during the warranty period. (3D SLC-liteX warranty: 5 years)

4.7 LED Indicator Behavior

The behavior of the SH250-300B LED indicators is described in Table 4-5.

Table 4-5 LED Behavior

| Location | LED | Description |
|----------|-----|---|
| LED A | DAS | LED blinks when the drive is being accessed |



5. Flash Management

5.1 Error Correction/Detection

SH250-300B implements a hardware ECC scheme, based on the Low Density Parity Check (LDPC). LDPC is a class of linear block error correcting code which has apparent coding gain over BCH code because LDPC code includes both hard decoding and soft decoding algorithms. With the error rate decreasing, LDPC can extend SSD endurance and increase data reliability while reading raw data inside a flash chip.

5.2 Bad Block Management

Current production technology is unable to guarantee total reliability of NAND flash memory array. When a flash memory device leaves factory, it comes with a minimal number of initial bad blocks during production or out-of-factory as there is no currently known technology that produce flash chips free of bad blocks. In addition, bad blocks may develop during program/erase cycles. When host performs program/erase command on a block, bad block may appear in Status Register. Since bad blocks are inevitable, the solution is to keep them in control. Apacer flash devices are programmed with ECC, page mapping technique and S.M.A.R.T to reduce invalidity or error. Once bad blocks are detected, data in those blocks will be transferred to free blocks and error will be corrected by designated algorithms.

5.3 Global Wear Leveling

Flash memory devices differ from Hard Disk Drives (HDDs) in terms of how blocks are utilized. For HDDs, when a change is made to stored data, like erase or update, the controller mechanism on HDDs will perform overwrites on blocks. Unlike HDDs, flash blocks cannot be overwritten and each P/E cycle wears down the lifespan of blocks gradually. Repeatedly program/erase cycles performed on the same memory cells will eventually cause some blocks to age faster than others. This would bring flash storages to their end of service term sooner. Global wear leveling is an important mechanism that levels out the wearing of all blocks so that the wearing-down of all blocks can be almost evenly distributed. This will increase the lifespan of SSDs.

5.4 DataDefender™

Apacer's DataDefender combines both firmware and hardware mechanisms to ensure data integrity. When power disruption occurs, the hardware mechanism will notice and trigger the controller to run multiple write-to-flash cycles to store data. Then the firmware will check that the data was correctly written to the NAND flash after the power disruption, preventing data loss.

5.5 ATA Secure Erase

ATA Secure Erase is an ATA disk purging command currently embedded in most of the storage drives. Defined in ATA specifications, (ATA) Secure Erase is part of Security Feature Set that allows storage drives to erase all user data areas. The erase process usually runs on the firmware level as most of the ATA-based storage media currently in the market are built-in with this command. ATA Secure Erase can securely wipe out the user data in the drive and protects it from malicious attack.

5.6 TRIM

TRIM is a SATA command that helps improve the read/write performance and efficiency of solid-state drives (SSD). The command enables the host operating system to inform SSD controller which blocks contain invalid data, mostly because of the erase commands from host. The invalid will be discarded permanently and the SSD will retain more space for itself.

5.7 Flash Translation Layer – Page Mapping

Page mapping is an advanced flash management technology whose essence lies in the ability to gather data, distribute the data into flash pages automatically, and then schedule the data to be evenly written. Page-level mapping uses one page as the unit of mapping. The most important characteristic is that each logical page can be mapped to any physical page on the flash memory device. This mapping algorithm allows different sizes of data to be written to a block as if the data is written to a data pool and it does not need to take extra operations to process a write command. Thus, page mapping is adopted to increase random access speed and improve SSD lifespan, reduce block erase frequency, and achieve optimized performance and lifespan.

5.8 Devslp Mode

Device Sleep is a feature that allows SATA devices to enter a low power mode by designating a particular pin as DEVSLP signal with an aim to reducing power consumption.



5.9 Hyper Cache Technology

Apacer proprietary Hyper Cache technology uses a portion of the available capacity as SLC (1bit-per-cell) NAND flash memory, called Hyper cache mode. When data is written to SSD, the firmware will direct the data to Hyper Cache mode, providing excellent performance to handle various scenarios in industrial use.

5.10 Over-Provisioning

Over-Provisioning (OP) is a certain portion of the SSD capacity exclusively for increasing Garbage Collection (GC) efficiency, especially when the SSD is filled to full capacity or performs a heavy mixed-random workload. OP has the advantages of providing extended life expectancy, reliable data integrity, and high sustained write performance.

5.11 SATA Power Management

By complying with SATA 6 Gb/s specifications, the SSD supports the following SATA power saving modes:

- ACTIVE: PHY ready, full power, Tx & Rx operational
- PARTIAL: Reduces power, resumes in under 10 μ s (microseconds)
- SLUMBER: Reduces power, resumes in under 10 ms (milliseconds)
- HIPM: Host-Initiated Power Management
- DIPM: Device-Initiated Power Management
- AUTO-SLUMBER: Automatic transition from partial to slumber.
- Device Sleep (DevSleep or DEVSLP): PHY powered down; power consumption \leq 5 mW; host assertion time \leq 10 ms; exit timeout from this state \leq 20 ms (unless specified otherwise in SATA Identify Device Log).

Note: The behaviors of power management features would depend on host/device settings.

5.12 SMART Read Refresh™

Apacer's SMART Read Refresh plays a proactive role in avoiding read disturb errors from occurring to ensure health status of all blocks of NAND flash. Developed for read-intensive applications in particular, SMART Read Refresh is employed to make sure that during read operations, when the read operation threshold is reached, the data is refreshed by re-writing it to a different block for subsequent use.

5.13 SLC-liteX

SLC-liteX is based on 3D NAND technology. The firmware is carefully tweaked by our engineering team so as to offer the greatest number of P/E cycles in this format – 30,000, which is 10 times more than MLC or industrial 3D TLC. The longest lifespans are therefore available at reasonable cost.

6. Security & Reliability Features

6.1 Advanced Encryption Standard

Advanced Encryption Standard (AES) is a specification for the encryption of electronic data. AES has been adopted by the U.S. government since 2001 to protect classified information and is now widely implemented in embedded computing applications. The AES algorithm used in software and hardware is symmetric so that encrypting/decrypting requires the same encryption key. Without the key, the encrypted data is inaccessible to ensure information security.

Notably in flash memory applications, AES 256-bit hardware encryption is the mainstream to protect sensitive or confidential data. The hardware encryption provides better performance, reliability, and security than software encryption. It uses a dedicated processor, which is built inside the controller, to process the encryption and decryption. This enormously shortens the processing time and makes it efficient.

6.2 End-to-End Data Protection

End-to-End Data Protection is a feature implemented in Apacer SSD products that extends error control to cover the entire path from the host computer to the drive and back, and ensure data integrity at multiple points in the path to enable reliable delivery of data transfers. Unlike ECC which does not exhibit the ability to determine the occurrence of errors throughout the process of data transmission, End-to-End Data Protection allows SSD controller to identify an error created anywhere in the path and report the error to the host computer before it is written to the drive. This error-checking and error-reporting mechanism therefore guarantees the trustworthiness and reliability of the SSD.

6.3 Thermal Sensor

Apacer Thermal Sensor is a digital temperature sensor with serial interface. By using a designated pin for transmission, storage device owners are able to read temperature data.

7. Software Interface

7.1 Command Set

This section defines the software requirements and the format of the commands the host sends to SH250-300B. Commands are issued to SH250-300B by loading the required registers in the command block with the supplied parameters, and then writing the command code to the Command register.

Table 7-1 Command Set

| Code | Command | Code | Command |
|------|------------------------------|------|-------------------------|
| E5h | CHECK POWER MODE | F4h | SECURITY ERASE UNIT |
| 06h | DATA SET MANAGEMENT | F5h | SECURITY FREEZE LOCK |
| 92h | DOWNLOAD MICROCODE | F1h | SECURITY SET PASSWORD |
| 90h | EXECUTE DEVICE DIAGNOSTIC | F2h | SECURITY UNLOCK |
| E7h | FLUSH CACHE | 70h | SEEK |
| EAh | FLUSH CACHE EXT | EFh | SET FEATURES |
| ECh | IDENTIFY DEVICE | C6h | SET MULTIPLE MODE |
| E3h | IDLE | E6h | SLEEP |
| E1h | IDLE IMMEDIATE | B0h | SMART |
| 91h | INITIALIZE DEVICE PARAMETERS | E2h | STANDBY |
| E4h | READ BUFFER | E0h | STANDBY IMMEDIATE |
| C8h | READ DMA | E8h | WRITE BUFFER |
| 25h | READ DMA EXT | CAh | WRITE DMA |
| 60h | READ FPDMA QUEUED | 35h | WRITE DMA EXT |
| C4h | READ MULTIPLE | 3Dh | WRITE DMA FUA EXT |
| 29h | READ MULTIPLE EXT | 61h | WRITE FPDMA QUEUED |
| 2Fh | READ LOG EXT | 3Fh | WRITE LOG EXT |
| 47h | READ LOG DMA EXT | 57h | WRITE LOG DMA EXT |
| 20h | READ SECTOR | C5h | WRITE MULTIPLE |
| 24h | READ SECTOR EXT | 39h | WRITE MULTIPLE EXT |
| 40h | READ VERIFY SECTORS | CEh | WRITE MULTIPLE FUA EXT |
| 42h | READ VERIFY SECTORS EXT | 30h | WRITE SECTOR |
| 10h | RECALIBRATE | 34h | WRITE SECTOR EXT |
| F6h | SECURITY DISABLE PASSWORD | 45h | WRITE UNCORRECTABLE EXT |
| F3h | SECURITY ERASE PREPARE | | |

7.2 S.M.A.R.T.

S.M.A.R.T. is an abbreviation for Self-Monitoring, Analysis and Reporting Technology, a self-monitoring system that provides indicators of drive health as well as potential disk problems. It serves as a warning for users from unscheduled downtime by monitoring and displaying critical drive information. Ideally, this should allow taking proactive actions to prevent drive failure and make use of S.M.A.R.T. information for future product development reference.

Apacer devices use the standard SMART command B0h to read data out from the drive to activate our S.M.A.R.T. feature that complies with the ATA/ATAPI specifications. S.M.A.R.T. Attribute IDs shall include initial bad block count, total later bad block count, maximum erase count, average erase count, power on hours and power cycle. When the S.M.A.R.T. Utility running on the host, it analyzes and reports the disk status to the host before the device reaches in critical condition.

Note: Attribute IDs may vary from product models due to various solution design and supporting capabilities.

Apacer memory products come with S.M.A.R.T. commands and subcommands for users to obtain information of drive status and to predict potential drive failures. Users can take advantage of the following commands/subcommands to monitor the health of the drive.

| Code | SMART Subcommand |
|------|-----------------------------------|
| D0h | READ DATA |
| D1h | READ ATTRIBUTE THRESHOLDS |
| D2h | ENABLE/DISABLE ATTRIBUTE AUTOSAVE |
| D4h | EXECUTE OFF-LINE IMMEDIATE |
| D5h | READ LOG (OPTIONAL) |
| D6h | WRITE LOG (OPTIONAL) |
| D8h | ENABLE OPERATIONS |
| D9h | DISABLE OPERATIONS |
| DAh | RETURN STATUS |

General SMART attribute structure

| Byte | Description |
|-------|-------------|
| 0 | ID (HEX) |
| 1 – 2 | STATUS FLAG |
| 3 | VALUE |
| 4 | WORST |
| 5*-11 | RAW DATA |

*Byte 5: LSB

SMART attribute ID list

| ID (Hex) | Attribute Name |
|------------|------------------------------------|
| 9 (0x09) | POWER-ON HOURS |
| 12 (0x0C) | POWER CYCLE COUNT |
| 163 (0xA3) | MAX. ERASE COUNT |
| 164 (0xA4) | AVG. ERASE COUNT |
| 166 (0xA6) | TOTAL LATER BAD BLOCK COUNT |
| 167 (0xA7) | SSD PROTECT MODE (VENDOR SPECIFIC) |
| 168 (0xA8) | SATA PHY ERROR COUNT |
| 171 (0xAB) | PROGRAM FAIL COUNT |
| 172 (0xAC) | ERASE FAIL COUNT |
| 175 (0xAF) | BAD CLUSTER TABLE COUNT |
| 192 (0xC0) | UNEXPECTED POWER LOSS COUNT |
| 194 (0xC2) | TEMPERATURE |
| 231 (0xE7) | LIFETIME LEFT |
| 241 (0xF1) | TOTAL SECTORS OF WRITE |

8. Electrical Specifications

8.1 Operating Voltage

Table 8-1 lists the supply voltage for SH250-300B.

Caution: Absolute Maximum Stress Ratings – Applied conditions greater than those listed under “Absolute Maximum Stress Ratings” may cause permanent damage to the device. This is a stress rating only and functional operation of the device at these conditions or conditions greater than those defined in the operational sections of this data sheet is not implied. Exposure to absolute maximum stress rating conditions may affect device reliability.

Table 8-1 Operating Range

| Item | Range |
|----------------|------------------------------|
| Supply Voltage | 3.3V \pm 5% (3.135-3.465V) |

8.2 Power Consumption

Table 8-2 lists the power consumption for SH250-300B.

Table 8-2 Power Consumption

| Mode \ Capacity | 10 GB | 20 GB | 40 GB | 80 GB |
|-----------------|-------|-------|-------|-------|
| Active (mA) | 245 | 315 | 390 | 420 |
| Idle (mA) | 65 | 65 | 65 | 65 |

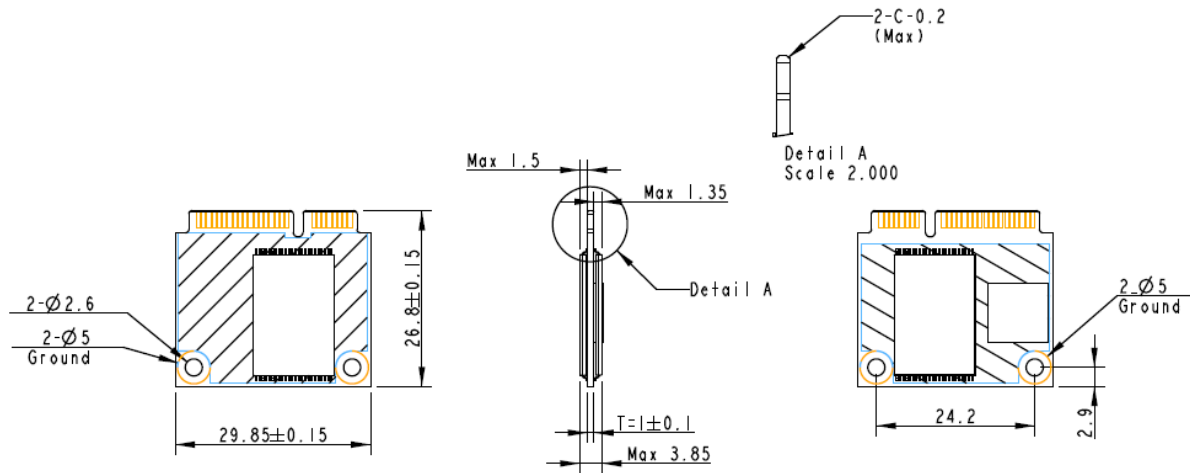
Note:

*All values are typical and may vary depending on flash configurations or host system settings.

**Active power is an average power measurement performed using CrystalDiskMark with 128KB sequential read/write transfers.

9. Physical Characteristics

9.1 Dimensions



9.2 Net Weight

| Capacity | Net Weight (g \pm 5%) |
|----------|-------------------------|
| 10GB | 3.3 |
| 20GB | 3.74 |
| 40GB | 3.76 |
| 80GB | 3.82 |

10. Product Ordering Information

10.1 Product Code Designations

| Code | 1 | 2 | 3 | 4 | 5 | 6 | 7 | 8 | 9 | 10 | 11 | 12 | 13 | 14 | 15 | 16 |
|------|---|---|---|---|---|---|---|---|---|----|----|----|----|----|----|----|
| | A | 8 | 2 | . | 2 | 5 | 9 | X | X | C | . | X | X | X | 1 | 1 |

| | |
|--|--|
| Code 1st ~ 3rd (Product Line & Form Factor) | SATA + mSATA mini/MO300B |
| Code 5th ~ 6th (Model/Solution) | 25: SH250 |
| Code 7th ~ 8th (Product Capacity) | 9F: 10GB 9G: 20GB 9H: 40GB 9J: 80GB |
| Code 9th (Flash Type & Product Temp) | L: 3D TLC SLC-liteX standard temperature M: 3D TLC SLC-liteX wide temperature |
| Code 10th (Product Spec) | C: MO300B |
| Code 12th ~ 14th (Version Number) | Random numbers generated by system |
| Code 15th ~ 16th (Firmware Version) | 11: SLC-liteX Thermal Sensor DEVSLP |

10.2 Valid Combinations

| Capacity | Standard Temperature | Wide Temperature |
|----------|----------------------|------------------|
| 10GB | A82.259FLC.00111 | A82.259FMC.00111 |
| 20GB | A82.259GLC.00111 | A82.259GMC.00111 |
| 40GB | A82.259HLC.00111 | A82.259HMC.00111 |
| 80GB | A82.259JLC.00111 | A82.259JMC.00111 |

Note: Valid combinations are those products in mass production or will be in mass production. Consult your Apacer sales representative to confirm availability of valid combinations and to determine availability of new combinations.

Revision History

| Revision | Date | Description | Remark |
|----------|-----------|---|--------|
| 1.0 | 1/17/2020 | Initial release | |
| 1.1 | 3/9/2020 | Modified the model name appearing at 3. Pin Assignments | |

Global Presence

Taiwan (Headquarters)

Apacer Technology Inc.

1F., No.32, Zhongcheng Rd., Tucheng Dist.,
New Taipei City 236, Taiwan R.O.C.

Tel: 886-2-2267-8000

Fax: 886-2-2267-2261

amtsales@apacer.com

U.S.A.

Apacer Memory America, Inc.

46732 Lakeview Blvd., Fremont, CA 94538

Tel: 1-408-518-8699

Fax: 1-510-249-9551

sa@apacerus.com

Japan

Apacer Technology Corp.

6F, Daiyontamachi Bldg., 2-17-12, Shibaura, Minato-Ku,
Tokyo, 108-0023, Japan

Tel: 81-3-5419-2668

Fax: 81-3-5419-0018

jpservices@apacer.com

Europe

Apacer Technology B.V.

Science Park Eindhoven 5051 5692 EB Son,
The Netherlands

Tel: 31-40-267-0000

Fax: 31-40-290-0686

sales@apacer.nl

China

Apacer Electronic (Shanghai) Co., Ltd

Room D, 22/FL, No.2, Lane 600, JieyunPlaza,
Tianshan RD, Shanghai, 200051, China

Tel: 86-21-6228-9939

Fax: 86-21-6228-9936

sales@apacer.com.cn

India

Apacer Technologies Pvt Ltd,

1874, South End C Cross, 9th Block Jayanagar,
Bangalore-560069, India

Tel: 91-80-4152-9061/62

Fax: 91-80-4170-0215

sales_india@apacer.com