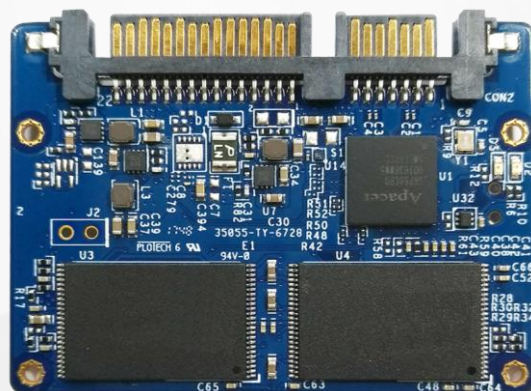


## RoHS Recast Compliant Serial ATA Flash Drive

### ST170-297 Product Specifications



February 10, 2020

Version 1.5



**Apacer Technology Inc.**

1F, No.32, Zhongcheng Rd., Tucheng Dist., New Taipei City, Taiwan, R.O.C

Tel: +886-2-2267-8000 Fax: +886-2-2267-2261

[www.apacer.com](http://www.apacer.com)

## Specifications Overview:

- **Compliance with SATA Interface**
  - Serial ATA Revision 3.1
  - SATA 6.0 Gbps
  - ATA-8 command set
  - Backward compatible with SATA 1.5/3.0 Gbps
- **Capacity**
  - 30, 60, 120, 240, 480 GB
- **Performance\***
  - Burst read/write: 600 MB/sec
  - Sequential read: Up to 560 MB/sec
  - Sequential write: Up to 490 MB/sec
  - Random read (4K): Up to 79,000 IOPS
  - Random write (4K): Up to 82,000 IOPS
- **Flash Management**
  - Low-Density Parity-Check (LDPC) Code
  - Global Wear Leveling
  - Flash bad-block management
  - Flash Translation Layer: Page Mapping
  - S.M.A.R.T.
  - Power Failure Management
  - Device Sleep
  - ATA Secure Erase
  - TRIM
  - Hyper Cache Technology
  - Over-Provisioning
  - DataRAID™
  - SMART Read Refresh™
- **Endurance (in drive writes per day: DWPD)**
  - 30 GB: 1.63 DWPD
  - 60 GB: 2.00 DWPD
  - 120 GB: 2.29 DWPD
  - 240 GB: 2.34 DWPD
  - 480 GB: 2.49 DWPD
- **Temperature Range**
  - Operating: 0°C to 70°C
  - Storage: -40°C to 100°C
- **Supply Voltage**
  - 5.0 V ± 5%
- **Power Consumption\***
  - Active mode: 320 mA
  - Idle mode: 70 mA
- **Connector Type**
  - 7-pin SATA signal connector
  - 15-pin SATA power connector
- **Form Factor**
  - JEDEC MO-297
  - Dimensions: 54.00 x 39.80 x 4.00, unit: mm
  - Net Weight: 7.89 g
- **MTBF: >1,000,000 hours**
- **NAND Flash Type: 3D TLC (BiCS3)**
- **Shock & Vibration\*\***
  - Shock: 1,500 G
  - Vibration: 15 G
- **Reliability**
  - Thermal Sensor
  - End-to-End Data Protection
- **LED Indicators for Drive Behavior**
- **RoHS Recast Compliant (Complies with 2011/65/EU Standard)**

\*Varies from capacities. The values for performances and power consumptions presented are typical and may vary depending on flash configurations or platform settings. The term idle refers to the standby state of the device.

\*\*Non-operating

## Table of Contents

|   |           |
|---|-----------|
| <b>1. General Descriptions .....</b>            | <b>4</b>  |
| <b>2. Functional Block .....</b>                | <b>4</b>  |
| <b>3. Pin Assignments.....</b>                  | <b>5</b>  |
| <b>4. Product Specifications.....</b>           | <b>7</b>  |
| 4.1 Capacity.....                               | 7         |
| 4.2 Performance .....                           | 7         |
| 4.3 Environmental Specifications .....          | 8         |
| 4.4 Mean Time Between Failures (MTBF) .....     | 8         |
| 4.5 Certification and Compliance.....           | 8         |
| 4.6 Endurance .....                             | 9         |
| 4.7 LED Indicator Behavior.....                 | 9         |
| <b>5. Flash Management .....</b>                | <b>10</b> |
| 5.1 Error Correction/Detection .....            | 10        |
| 5.2 Bad Block Management .....                  | 10        |
| 5.3 Global Wear Leveling .....                  | 10        |
| 5.4 Power Failure Management .....              | 10        |
| 5.5 ATA Secure Erase .....                      | 10        |
| 5.6 TRIM .....                                  | 11        |
| 5.7 Flash Translation Layer – Page Mapping..... | 11        |
| 5.8 DEVSLP (DevSleep or DEVSLP) Mode .....      | 11        |
| 5.9 Hyper Cache Technology .....                | 11        |
| 5.10 Over-Provisioning .....                    | 12        |
| 5.11 DataRAID™ .....                            | 12        |
| 5.12 SMART Read Refresh™ .....                  | 12        |
| 5.13 SATA Power Management.....                 | 12        |
| <b>6. Reliability Features .....</b>            | <b>13</b> |
| 6.1 Thermal Sensor .....                        | 13        |
| 6.2 End-to-End Data Protection.....             | 13        |
| <b>7. Software Interface .....</b>              | <b>14</b> |
| 7.1 Command Set.....                            | 14        |
| 7.2 S.M.A.R.T. ....                             | 16        |

|  |           |
|--|-----------|
| <b>8. Electrical Specifications .....</b>    | <b>18</b> |
| 8.1 Operating Voltage.....                   | 18        |
| 8.2 Power Consumption .....                  | 18        |
| <b>9. Physical Characteristics.....</b>      | <b>19</b> |
| 9.1 Dimensions.....                          | 19        |
| 9.2 Net Weight.....                          | 19        |
| <b>10. Product Ordering Information.....</b> | <b>20</b> |
| 10.1 Product Code Designations.....          | 20        |
| 10.2 Valid Combinations.....                 | 21        |

## 1. General Descriptions

Apacer's ST170-297 (JEDEC MO-297) utilizes 3D NAND for higher capacity up to 480 GB and provides more power efficiency than 2D NAND with compact form factor and great performance. Designed in SATA 6.0 Gbps interface, the MO-297 SSD is able to deliver exceptional read/write speed, making it the ideal companion for heavy-loading embedded or server operations with space constraints for host computing systems. Regarding reliability, ST170-297 is implemented with LDPC (Low Density Parity Check) ECC engine to extend SSD endurance and increase data reliability while reading raw data inside a flash chip. In addition, the drive comes with various implementations including power saving modes, global wear leveling, flash block management, S.M.A.R.T., TRIM, power failure management and Hyper Cache technology.

## 2. Functional Block

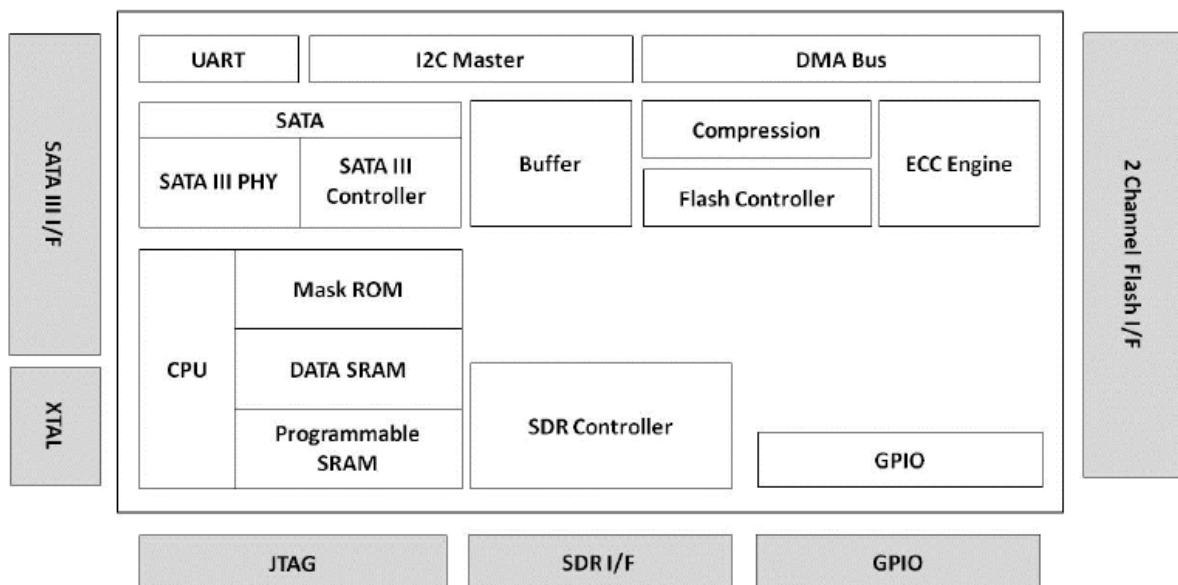


Figure 2-1 Block Diagram

### 3. Pin Assignments

Table 3-1 describes the SFD signal segment and Table 3-2 for power segment.

Figure 3-1 SATA Connectors

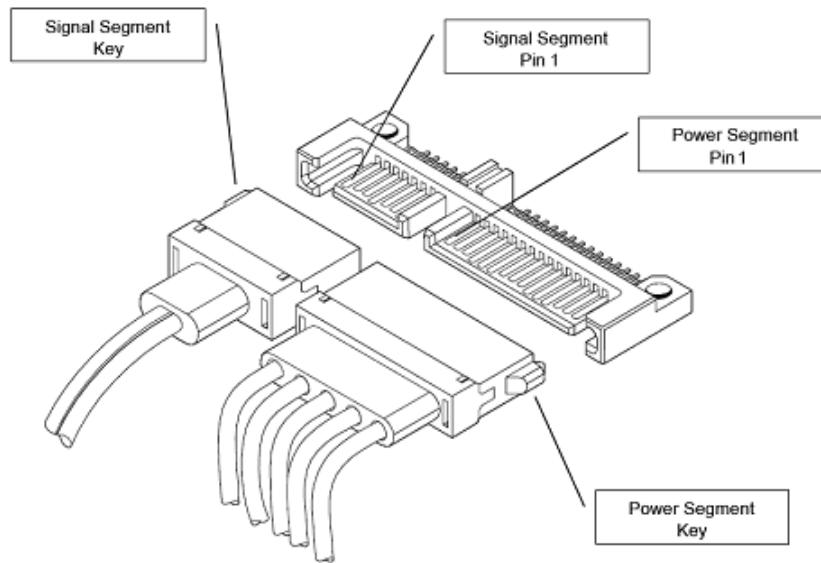
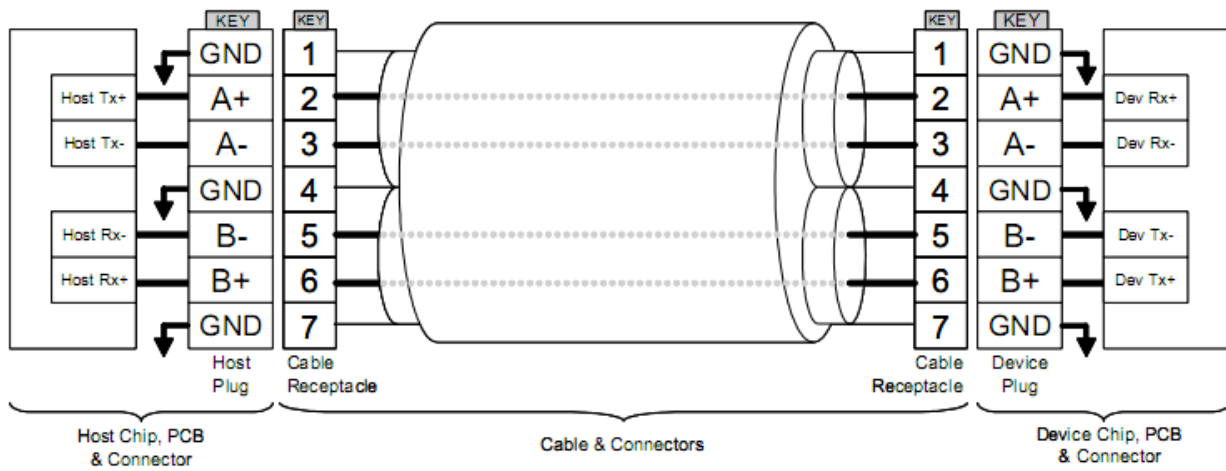


Table 3-1 Signal Segment

| Pin | Type | Description             |
|-----|------|-------------------------|
| S1  | GND  |                         |
| S2  | RxP  | + Differential Receive  |
| S3  | RxN  | - Differential Receive  |
| S4  | GND  |                         |
| S5  | TxN  | - Differential Transmit |
| S6  | TxP  | + Differential Transmit |
| S7  | GND  |                         |

Table 3-2 Power Segment

| Pin   | Signal/Description |
|-------|--------------------|
| Pin1  | Unused (3.3V)      |
| Pin2  | Unused (3.3V)      |
| Pin3  | Device Sleep       |
| Pin4  | Ground             |
| Pin5  | Ground             |
| Pin6  | Ground             |
| Pin7  | 5V                 |
| Pin8  | 5V                 |
| Pin9  | 5V                 |
| Pin10 | Ground             |
| Pin11 | DAS                |
| Pin12 | Ground             |
| Pin13 | Unused (12V)       |
| Pin14 | Unused (12V)       |
| Pin15 | Unused (12V)       |



**Figure 3-2** SATA Cable/Connector Connection Diagram

The connector on the left represents the Host with TX/RX differential pairs connected to a cable. The connector on the right shows the Device with TX/RX differential pairs also connected to the cable. Notice also the ground path connecting the shielding of the cable to the Cable Receptacle.

## 4. Product Specifications

### 4.1 Capacity

Capacity specifications of ST170-297 are available as shown in Table 4-1. It lists the specific capacity and the default numbers of heads, sectors and cylinders for each product line.

**Table 4-1** Capacity Specifications

| Capacity | Total bytes*    | Cylinders | Heads | Sectors | Max LBA     |
|----------|-----------------|-----------|-------|---------|-------------|
| 30 GB    | 30,016,659,456  | 16,383    | 16    | 63      | 58,626,288  |
| 60 GB    | 60,022,480,896  | 16,383    | 16    | 63      | 117,231,408 |
| 120 GB   | 120,034,123,776 | 16,383    | 16    | 63      | 234,441,648 |
| 240 GB   | 240,057,409,536 | 16,383    | 16    | 63      | 468,862,128 |
| 480 GB   | 480,103,981,056 | 16,383    | 16    | 63      | 937,703,088 |

\*Display of total bytes varies from file systems, which means not all of the bytes can be used for storage.

\*\*Notes: 1 GB = 1,000,000,000 bytes; 1 sector = 512 bytes.

LBA count addressed in the table above indicates total user storage capacity and will remain the same throughout the lifespan of the device. However, the total usable capacity of the SSD is most likely to be less than the total physical capacity because a small portion of the capacity is reserved for device maintenance usages.

### 4.2 Performance

Performance of ST170-297 is listed below in Table 4-2.

**Table 4-2** Performance Specifications

| Capacity                        | 30 GB  | 60 GB  | 120 GB | 240 GB | 480 GB |
|---------------------------------|--------|--------|--------|--------|--------|
| <b>Performance</b>              |        |        |        |        |        |
| <b>Sequential Read* (MB/s)</b>  | 295    | 550    | 560    | 560    | 560    |
| <b>Sequential Write* (MB/s)</b> | 130    | 245    | 450    | 490    | 490    |
| <b>Random Read IOPS** (4K)</b>  | 20,000 | 39,000 | 67,000 | 79,000 | 78,000 |
| <b>Random Write IOPS** (4K)</b> | 29,000 | 59,000 | 77,000 | 82,000 | 82,000 |

Note:

Results may differ from various flash configurations or host system setting.

\*Sequential performance is based on CrystalDiskMark 5.2.1 with file size 1,000MB.

\*\*Random performance measured using IOMeter with Queue Depth 32.

### 4.3 Environmental Specifications

Environmental specifications of ST170-297 product are shown in Table 4-3.

**Table 4-3** Environmental Specifications

| Item                    | Specifications   |
|-------------------------|--|
| Operating temp.         | 0°C to 70°C  |
| Non-operating temp.     | -40°C to 100°C   |
| Operating vibration     | 7.69 GRMS, 20~2000 Hz/random (compliant with MIL-STD-810G) |
| Non-operating vibration | 4.02 GRMS, 15~2000 Hz/random (compliant with MIL-STD-810G) |
| Operating shock         | 50G, 11ms  |
| Non-operating shock     | 1500G, 0.5ms (compliant with MIL-STD-883K)                 |

Note: This Environmental Specification table indicates the conditions for testing the device. Real world usages may affect the results.

### 4.4 Mean Time Between Failures (MTBF)

Mean Time Between Failures (MTBF) is predicted based on reliability data for the individual components in ST170-297. The prediction result for ST170-297 is more than 1,000,000 hours.

Note: The MTBF is predicated and calculated based on “Telcordia Technologies Special Report, SR-332, Issue 2” method.

### 4.5 Certification and Compliance

ST170-297 complies with the following standards:

- CE
- FCC
- RoHS Recast
- MIL-STD-810

## 4.6 Endurance

The endurance of a storage device is predicted by Drive Writes Per Day based on several factors related to usage, such as the amount of data written into the drive, block management conditions, and daily workload for the drive. Thus, key factors, such as Write Amplifications and the number of P/E cycles, can influence the lifespan of the drive.

**Table 4-4** Endurance Specifications

| Capacity | Drive Writes Per Day |
|----------|----------------------|
| 30 GB    | 1.63                 |
| 60 GB    | 2.00                 |
| 120 GB   | 2.29                 |
| 240 GB   | 2.34                 |
| 480 GB   | 2.49                 |

Note:

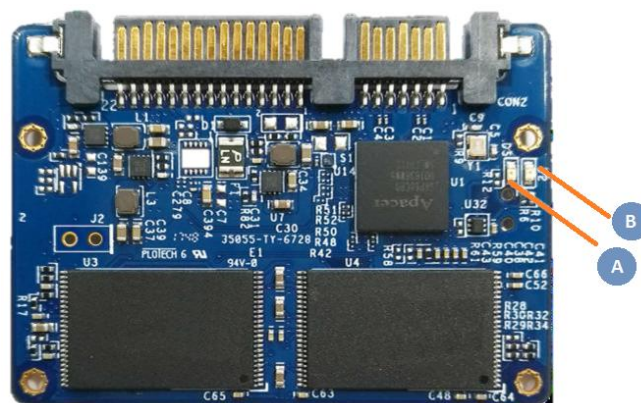
- This estimation complies with JEDEC random client workload.
- Flash vendor guaranteed 3D NAND TLC P/E cycle: 3K
- WAF may vary from capacity, flash configurations and writing behavior on each platform.
- 1 Terabyte = 1,024GB
- DWPDP (Drive Writes Per Day) is calculated based on the number of times that user overwrites the entire capacity of an SSD per day of its lifetime during the warranty period. (3D NAND TLC warranty: 2 years)

## 4.7 LED Indicator Behavior

The behavior of the ST170-297 LED indicators is described in Table 4-5.

**Table 4-5** LED Behavior

| Location | LED   | Description                                 |
|----------|-------|---|
| LED A    | DAS   | LED blinks when the drive is being accessed |
| LED B    | Power | LED glows solidly when power is on          |



## 5. Flash Management

### 5.1 Error Correction/Detection

ST170-297 implements a hardware ECC scheme, based on the Low Density Parity Check (LDPC). LDPC is a class of linear block error correcting code which has apparent coding gain over BCH code because LDPC code includes both hard decoding and soft decoding algorithms. With the error rate decreasing, LDPC can extend SSD endurance and increase data reliability while reading raw data inside a flash chip.

### 5.2 Bad Block Management

Current production technology is unable to guarantee total reliability of NAND flash memory array. When a flash memory device leaves factory, it comes with a minimal number of initial bad blocks during production or out-of-factory as there is no currently known technology that produce flash chips free of bad blocks. In addition, bad blocks may develop during program/erase cycles. When host performs program/erase command on a block, bad block may appear in Status Register. Since bad blocks are inevitable, the solution is to keep them in control. Apacer flash devices are programmed with ECC, page mapping technique and S.M.A.R.T to reduce invalidity or error. Once bad blocks are detected, data in those blocks will be transferred to free blocks and error will be corrected by designated algorithms.

### 5.3 Global Wear Leveling

Flash memory devices differ from Hard Disk Drives (HDDs) in terms of how blocks are utilized. For HDDs, when a change is made to stored data, like erase or update, the controller mechanism on HDDs will perform overwrites on blocks. Unlike HDDs, flash blocks cannot be overwritten and each P/E cycle wears down the lifespan of blocks gradually. Repeatedly program/erase cycles performed on the same memory cells will eventually cause some blocks to age faster than others. This would bring flash storages to their end of service term sooner. Global wear leveling is an important mechanism that levels out the wearing of all blocks so that the wearing-down of all blocks can be almost evenly distributed. This will increase the lifespan of SSDs.

### 5.4 Power Failure Management

Power Failure Management plays a crucial role when power supply becomes unstable. Power disruption may occur when users are storing data into the SSD, leading to instability in the drive. However, with Power Failure Management, a firmware protection mechanism will be activated to scan pages and blocks once power is resumed. Valid data will be transferred to new blocks for merging and the mapping table will be rebuilt. Therefore, data reliability can be reinforced, preventing damage to data stored in the NAND Flash.

### 5.5 ATA Secure Erase

ATA Secure Erase is an ATA disk purging command currently embedded in most of the storage drives. Defined in ATA specifications, (ATA) Secure Erase is part of Security Feature Set that allows storage drives to erase all user data areas. The erase process usually runs on the firmware level as most of the ATA-based storage media currently in the market are built-in with this command. ATA Secure Erase can securely wipe out the user data in the drive and protects it from malicious attack.

## 5.6 TRIM

TRIM is a SATA command that helps improve the read/write performance and efficiency of solid-state drives (SSD). The command enables the host operating system to inform SSD controller which blocks contain invalid data, mostly because of the erase commands from host. The invalid will be discarded permanently and the SSD will retain more space for itself.

## 5.7 Flash Translation Layer – Page Mapping

Page mapping is an advanced flash management technology whose essence lies in the ability to gather data, distribute the data into flash pages automatically, and then schedule the data to be evenly written. Page-level mapping uses one page as the unit of mapping. The most important characteristic is that each logical page can be mapped to any physical page on the flash memory device. This mapping algorithm allows different sizes of data to be written to a block as if the data is written to a data pool and it does not need to take extra operations to process a write command. Thus, page mapping is adopted to increase random access speed and improve SSD lifespan, reduce block erase frequency, and achieve optimized performance and lifespan.

## 5.8 DEVSLP (DevSleep or DEVSLP) Mode

Device Sleep is a feature that allows SATA devices to enter a low power mode by designating a particular pin as DEVSLP signal with an aim to reducing power consumption.



## 5.9 Hyper Cache Technology

Apacer proprietary Hyper Cache technology uses a portion of the available capacity as SLC (1bit-per-cell) NAND flash memory, called Hyper cache mode. When data is written to SSD, the firmware will direct the data to Hyper Cache mode, providing excellent performance to handle various scenarios in industrial use.

## 5.10 Over-Provisioning

Over-Provisioning (OP) is a certain portion of the SSD capacity exclusively for increasing Garbage Collection (GC) efficiency, especially when the SSD is filled to full capacity or performs a heavy mixed-random workload. OP has the advantages of providing extended life expectancy, reliable data integrity, and high sustained write performance.

## 5.11 DataRAID™

Apacer's DataRAID algorithm applies an additional level of protection and error-checking. Using this algorithm, a certain amount of space is given over to aggregating and resaving the existing parity data used for error checking. So, in the event that data becomes corrupted, the parity data can be compared to the existing uncorrupted data and the content of the corrupted data can be rebuilt.

## 5.12 SMART Read Refresh™

Apacer's SMART Read Refresh plays a proactive role in avoiding read disturb errors from occurring to ensure health status of all blocks of NAND flash. Developed for read-intensive applications in particular, SMART Read Refresh is employed to make sure that during read operations, when the read operation threshold is reached, the data is refreshed by re-writing it to a different block for subsequent use.

## 5.13 SATA Power Management

By complying with SATA 6.0 Gb/s specifications, the SSD supports the following SATA power saving modes:

- ACTIVE: PHY ready, full power, Tx & Rx operational
- PARTIAL: Reduces power, resumes in under 10  $\mu$ s (microseconds)
- SLUMBER: Reduces power, resumes in under 10 ms (milliseconds)
- HIPM: Host-Initiated Power Management
- DIPM: Device-Initiated Power Management
- AUTO-SLUMBER: Automatic transition from partial to slumber.
- Device Sleep (DevSleep or DEVSLP): PHY powered down; power consumption  $\leq$  5 mW; host assertion time  $\leq$  10 ms; exit timeout from this state  $\leq$  20 ms (unless specified otherwise in SATA Identify Device Log).

Note: The behaviors of power management features would depend on host/device settings.

## 6. Reliability Features

### 6.1 Thermal Sensor

Apacer Thermal Sensor is a digital temperature sensor with serial interface. By using designated pins for transmission, storage device owners are able to read temperature data.

### 6.2 End-to-End Data Protection

End-to-End Data Protection is a feature implemented in Apacer SSD products that extends error control to cover the entire path from the host computer to the drive and back, and ensure data integrity at multiple points in the path to enable reliable delivery of data transfers. Unlike ECC which does not exhibit the ability to determine the occurrence of errors throughout the process of data transmission, End-to-End Data Protection allows SSD controller to identify an error created anywhere in the path and report the error to the host computer before it is written to the drive. This error-checking and error-reporting mechanism therefore guarantees the trustworthiness and reliability of the SSD.

## 7. Software Interface

### 7.1 Command Set

This section defines the software requirements and the format of the commands the host sends to ST170-297. Commands are issued to ST170-297 by loading the required registers in the command block with the supplied parameters, and then writing the command code to the Command register.

Table 7-1 Command Set

| Code    | Command                           | Code | Command                 |                                |  |
|---------|-----------------------------------|------|-------------------------|--------------------------------|--|
| 00h     | NOP                               | C9h  | Read DMA without Retry  |                                |  |
| 06h     | Data Set Management               | CAh  | Write DMA               |                                |  |
| 10h-1Fh | Recalibrate                       | CBh  | Write DMA without Retry |                                |  |
| 20h     | Read Sectors                      | CEh  | Write Multiple FUA EXT  |                                |  |
| 21      | Read Sectors without Retry        | E0h  | Standby Immediate       |                                |  |
| 24h     | Read Sectors EXT                  | E1h  | Idle Immediate          |                                |  |
| 25h     | Read DMA EXT                      | E2h  | Standby                 |                                |  |
| 27h     | Read Native Max Address EXT       | E3h  | Idle                    |                                |  |
| 29h     | Read Multiple EXT                 | E4h  | Read Buffer             |                                |  |
| 2Fh     | Read Log EXT                      | E5h  | Check Power Mode        |                                |  |
| 30h     | Write Sectors                     | E6h  | Sleep                   |                                |  |
| 31h     | Write Sectors without Retry       | E7h  | Flush Cache             |                                |  |
| 34h     | Write Sectors EXT                 | E8h  | Write Buffer            |                                |  |
| 35h     | Write DMA EXT                     | E9h  | READ BUFFER DMA         |                                |  |
| 37h     | Set Native Max Address EXT        | EAh  | Flush Cache EXT         |                                |  |
| 38h     | CFA Write Sectors without Erase   | EBh  | Write Buffer DMA        |                                |  |
| 39h     | Write Multiple EXT                | ECh  | Identify Device         |                                |  |
| 3Dh     | Write DMA FUA EXT                 | EFh  | Set Features            |                                |  |
| 3Fh     | Write Long EXT                    | EFh  | 02h                     | Enable volatile write cache    |  |
| 40h     | Read Verify Sectors               | EFh  | 03h                     | Set transfer mode              |  |
| 41h     | Read Verify Sectors without Retry | EFh  | 05h                     | Enable the APM feature set     |  |
| 42h     | Read Verify Sectors EXT           | EFh  | 10h                     | Enable use of SATA feature set |  |
| 44h     | Zero EXT                          | EFh  | 10h                     | 02h                            | Enable DMA Setup FIS Auto-Activate optimization                  |
| 45h     | Write Uncorrectable EXT           | EFh  | 10h                     | 03h                            | Enable Device-initiated interface power state (DIPM) transitions |
| 47h     | Read Log DMA EXT                  | EFh  | 10h                     | 06h                            | Enable Software Settings Preservation (SSP)                      |
| 57h     | Write Log DMA EXT                 | EFh  | 10h                     | 07h                            | Enable Device Automatic Partial to Slumber transitions           |
| 60h     | Read FPDMA Queued                 | EFh  | 10h                     | 09h                            | Enable Device Sleep  |

| Code    |     | Command                                 | Code |         | Command   |
|---------|-----|---|------|---------|---|
| 61h     |     | Write FPDMA Queued                      | EFh  | 55h     | Disable read look-ahead   |
| 70h-7Fh |     | Seek                                    | EFh  | 66h     | Disable reverting to power-on defaults                            |
| 90h     |     | Execute Device Diagnostic               | EFh  | 82h     | Disable volatile write cache                                      |
| 91h     |     | Initialize Device Parameters            | EFh  | 85h     | Disable the APM feature set                                       |
| 92h     |     | Download Microcode                      | EFh  | 90h     | Disable use of SATA feature set                                   |
| 93h     |     | Download Microcode DMA                  | EFh  | 90h 02h | Disable DMA Setup FIS Auto-Activate optimization                  |
| B0h     |     | SMART                                   | EFh  | 90h 03h | Disable Device-initiated interface power state (DIPM) transitions |
| B0h     | D0h | SMART READ DATA                         | EFh  | 90h 06h | Disable Software Settings Preservation (SSP)                      |
| B0h     | D1h | SMART READ ATTRIBUTE THRESHOLDS         | EFh  | 90h 07h | Disable Device Automatic Partial to Slumber transitions           |
| B0h     | D2h | SMART ENABLE/DISABLE ATTRIBUTE AUTOSAVE | EFh  | 90h 09h | Disable Device Sleep  |
| B0h     | D3h | SMART SAVE ATTRIBUTE VALUES             | EFh  | AAh     | Enable read look-ahead  |
| B0h     | D4h | SMART EXECUTE OFF-LINE IMMEDIATE        | EFh  | CCh     | Enable reverting to power-on defaults                             |
| B0h     | D5h | SMART READ LOG                          | F1h  |         | Security Set Password   |
| B0h     | D6h | SMART WRITE LOG                         | F2h  |         | Security Unlock   |
| B0h     | D8h | SMART ENABLE OPERATIONS                 | F3h  |         | Security Erase Prepare  |
| B0h     | D9h | SMART DISABLE OPERATIONS                | F4h  |         | Security Erase Unit   |
| B0h     | DAh | SMART RETURN STATUS                     | F5h  |         | Security Freeze Lock  |
| B0h     | DBh | SMART ENABLE/DISABLE AUTOMATIC OFF-LINE | F6h  |         | Security Disable Password   |
| B1h     |     | Device Configuration                    | F8h  |         | Read Native Max Address   |
| B4h     |     | Sanitize                                | F9h  |         | Set Max Address   |
| C4h     |     | Read Multiple                           | F9h  | 01h     | SET MAX SET PASSWORD  |
| C5h     |     | Write Multiple                          | F9h  | 02h     | SET MAXLOCK   |
| C6h     |     | Set Multiple Mode                       | F9h  | 03h     | SET MAX UNLOCK  |
| C8h     |     | Read DMA                                | F9h  | 04h     | SET MAX FREEZE LOCK   |

## 7.2 S.M.A.R.T.

S.M.A.R.T. is an abbreviation for Self-Monitoring, Analysis and Reporting Technology, a self-monitoring system that provides indicators of drive health as well as potential disk problems. It serves as a warning for users from unscheduled downtime by monitoring and displaying critical drive information. Ideally, this should allow taking proactive actions to prevent drive failure and make use of S.M.A.R.T. information for future product development reference.

Apacer devices use the standard SMART command B0h to read data out from the drive to activate our S.M.A.R.T. feature that complies with the ATA/ATAPI specifications. S.M.A.R.T. Attribute IDs shall include initial bad block count, total later bad block count, maximum erase count, average erase count, power on hours and power cycle. When the S.M.A.R.T. Utility running on the host, it analyzes and reports the disk status to the host before the device reaches in critical condition.

Note: Attribute IDs may vary from product models due to various solution design and supporting capabilities.

Apacer memory products come with S.M.A.R.T. commands and subcommands for users to obtain information of drive status and to predict potential drive failures. Users can take advantage of the following commands/subcommands to monitor the health of the drive.

| Code | SMART Subcommand                  |
|------|-----------------------------------|
| D0h  | READ DATA                         |
| D1h  | READ ATTRIBUTE THRESHOLDS         |
| D2h  | Enable/Disable Attribute Autosave |
| D4h  | Execute Off-line Immediate        |
| D5h  | Read Log (optional)               |
| D6h  | Write Log (optional)              |
| D8h  | Enable Operations                 |
| D9h  | Disable operations                |
| DAh  | Return Status                     |

**General SMART attribute structure**

| Byte  | Description |
|-------|-------------|
| 0     | ID (Hex)    |
| 1 – 2 | Status flag |
| 3     | Value       |
| 4     | Worst       |
| 5*-11 | Raw Data    |

\*Byte 5: LSB

SMART attribute ID list

| ID (Hex)   | Attribute Name                     |
|------------|------------------------------------|
| 9 (0x09)   | Power-on hours                     |
| 12 (0x0C)  | Power cycle count                  |
| 163 (0xA3) | Max. erase count                   |
| 164 (0xA4) | Avg. erase count                   |
| 166 (0xA6) | Total later bad block count        |
| 167 (0xA7) | SSD Protect Mode (vendor specific) |
| 168 (0xA8) | SATA PHY Error Count               |
| 171 (0xAB) | Program fail count                 |
| 172 (0xAC) | Erase fail count                   |
| 175 (0xAF) | Bad Cluster Table Count            |
| 192 (0xC0) | Unexpected Power Loss Count        |
| 194 (0xC2) | Temperature                        |
| 231 (0xE7) | Lifetime left                      |
| 241 (0xF1) | Total sectors of write             |

## 8. Electrical Specifications

### 8.1 Operating Voltage

Table 8-1 lists the supply voltage for ST170-297.

**Caution: Absolute Maximum Stress Ratings** – Applied conditions greater than those listed under “Absolute Maximum Stress Ratings” may cause permanent damage to the device. This is a stress rating only and functional operation of the device at these conditions or conditions greater than those defined in the operational sections of this data sheet is not implied. Exposure to absolute maximum stress rating conditions may affect device reliability.

**Table 8-1** Operating Range

| Item           | Range                    |
|----------------|--------------------------|
| Supply Voltage | 5V $\pm$ 5% (4.75-5.25V) |

### 8.2 Power Consumption

Table 8-2 lists the power consumption for ST170-297.

**Table 8-2** Power Consumption

| Mode \ Capacity | 30 GB | 60 GB | 120 GB | 240 GB | 480 GB |
|-----------------|-------|-------|--------|--------|--------|
| Active (mA)     | 200   | 260   | 270    | 305    | 320    |
| Idle (mA)       | 70    | 65    | 70     | 70     | 70     |

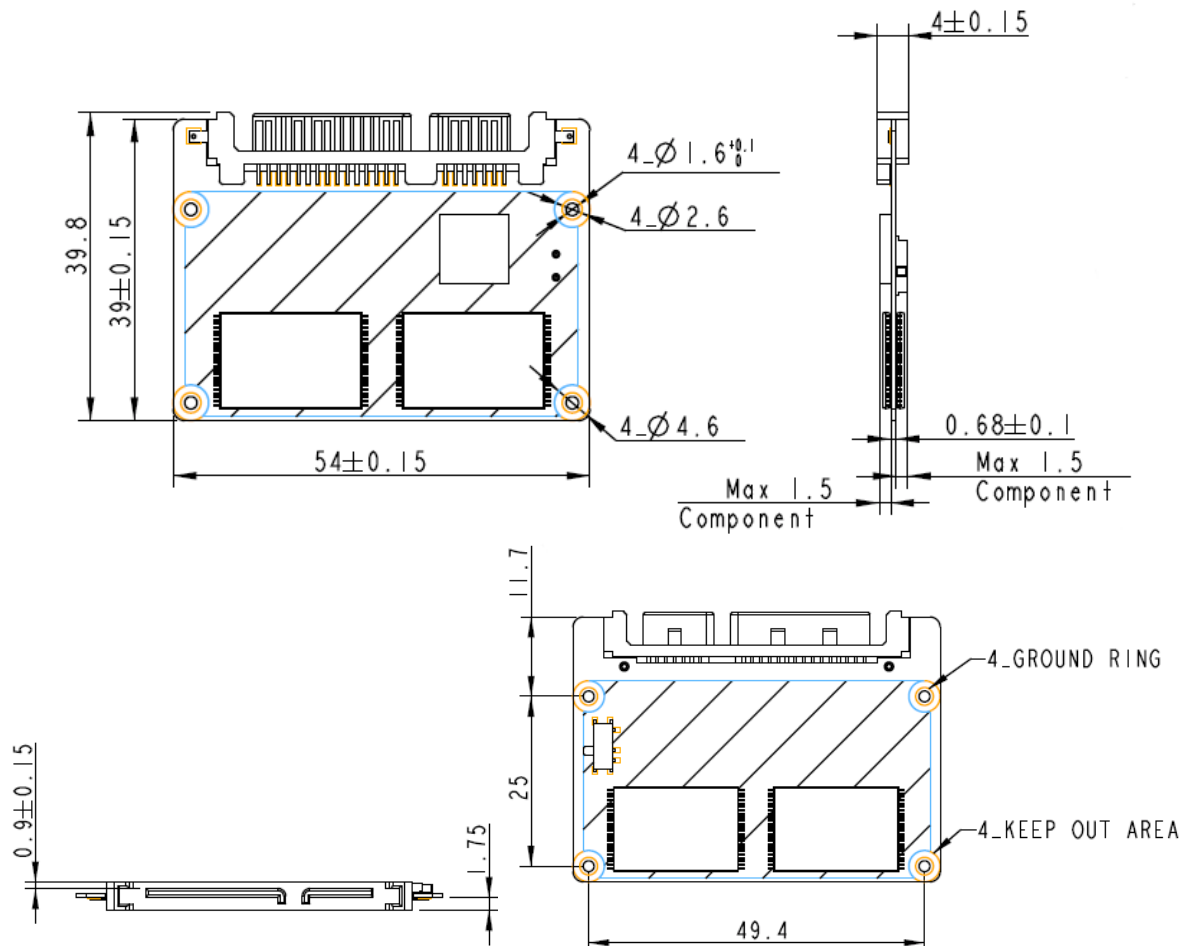
Note:

\*All values are typical and may vary depending on flash configurations or host system settings.

\*\*Active power is an average power measurement performed using CrystalDiskMark with 128KB sequential read/write transfers.

## 9. Physical Characteristics

### 9.1 Dimensions



### 9.2 Net Weight

| Capacity | Net Weight (g) |
|----------|----------------|
| 30GB     | 6.7            |
| 60GB     | 6.75           |
| 120GB    | 7.79           |
| 240GB    | 7.89           |
| 480GB    | 7.86           |

## 10. Product Ordering Information

### 10.1 Product Code Designations

| Code | 1 | 2 | 3 | 4 | 5 | 6 | 7 | 8 | 9 | 10 | 11 | 12 | 13 | 14 | 15 | 16 |
|------|---|---|---|---|---|---|---|---|---|----|----|----|----|----|----|----|
|      | A | 9 | 2 | . | 1 | 7 | 5 | X | G | A  | .  | X  | X  | X  | 1  | 1  |

|  |   |
|--|---|
| <b>Code 1<sup>st</sup> ~ 3<sup>rd</sup><br/>(Product Line &amp; form factor)</b> | SATA MO297  |
| <b>Code 5<sup>th</sup> ~ 6<sup>th</sup><br/>(Model/Solution)</b>                 | ST170   |
| <b>Code 7<sup>th</sup> ~ 8<sup>th</sup><br/>(Product Capacity)</b>               | 5F: 30GB<br>5G: 60GB<br>5H: 120GB<br>5J: 240GB<br>5K: 480GB |
| <b>Code 9<sup>th</sup><br/>(Flash Type &amp; Product Temp)</b>                   | G: 3D TLC Standard temperature                              |
| <b>Code 10<sup>th</sup><br/>(Product Spec)</b>                                   | A: MO297  |
| <b>Code 12<sup>th</sup> ~ 14<sup>th</sup><br/>(Version Number)</b>               | Random numbers generated by system                          |
| <b>Code 15<sup>th</sup> ~ 16<sup>th</sup><br/>(Firmware Version)</b>             | 11: Thermal Sensor + DEVSLP                                 |

## 10.2 Valid Combinations

| Capacity | Part Number      |
|----------|------------------|
| 30GB     | A92.175FGA.00211 |
| 60GB     | A92.175GGA.00211 |
| 120GB    | A92.175HGA.00211 |
| 240GB    | A92.175JGA.00211 |
| 480GB    | A92.175KGA.00211 |

**Note:** Valid combinations are those products in mass production or will be in mass production. Consult your Apacer sales representative to confirm availability of valid combinations and to determine availability of new combinations.

## Revision History

| Revision | Date       | Description   | Remark |
|----------|------------|---|--------|
| 1.0      | 5/21/2018  | Official release  |        |
| 1.1      | 6/13/2018  | <ul style="list-style-type: none"> <li>- Updated total bytes for all capacities at 4.1 Capacity</li> <li>- Removed Thermal Management Technique support</li> </ul>  |        |
| 1.2      | 11/21/2018 | <ul style="list-style-type: none"> <li>- Removed seq. read/write QD32 performance from the Performance section on Specifications Overview page and 4.2 Performance</li> <li>- Remove the redundant asterisk mark from note 2 at 4.6 Endurance</li> <li>- Renamed Power Failure Management to DataDefender™ at Flash Management on Specifications Overview page and 5.4 section and updated the technology description</li> </ul>  |        |
| 1.3      | 2/26/2019  | <ul style="list-style-type: none"> <li>- Updated Performance and Power Consumption on Specifications Overview page</li> <li>- Updated 4.2 Performance and 8.2 Power Consumption</li> </ul>  |        |
| 1.4      | 7/29/2019  | <ul style="list-style-type: none"> <li>- Replaced DataDefender with Power Failure Management</li> <li>- Added DataRAID and SMART Read Refresh to Flash Management on Specifications Overview page</li> <li>- Added LED Indicators for Drive Behavior support</li> <li>- Updated Performance on Specifications Overview page and 4.2 Performance</li> <li>- Added 4.7 LED Indicator Behavior</li> <li>- Updated Endurance on Specifications Overview page and 4.6 Endurance</li> <li>- Added 5.11 DataRAID and 5.12 SMART Read Refresh</li> <li>- Updated Power Consumption on Specifications Overview page and 8.2 Power Consumption</li> <li>- Updated 10. Product Ordering Information</li> </ul> |        |
| 1.5      | 2/10/2020  | Modified total bytes at Table 4-1 Capacity Specifications   |        |

## Global Presence

### Taiwan (Headquarters)

#### Apacer Technology Inc.

1F., No.32, Zhongcheng Rd., Tucheng Dist.,  
New Taipei City 236, Taiwan R.O.C.  
Tel: 886-2-2267-8000  
Fax: 886-2-2267-2261  
[amtsales@apacer.com](mailto:amtsales@apacer.com)

### Japan

#### Apacer Technology Corp.

6F, Daiyontamachi Bldg., 2-17-12, Shibaura, Minato-Ku,  
Tokyo, 108-0023, Japan  
Tel: 81-3-5419-2668  
Fax: 81-3-5419-0018  
[jpservices@apacer.com](mailto:jpservices@apacer.com)

### China

#### Apacer Electronic (Shanghai) Co., Ltd

Room D, 22/FL, No.2, Lane 600, JieyunPlaza,  
Tianshan RD, Shanghai, 200051, China  
Tel: 86-21-6228-9939  
Fax: 86-21-6228-9936  
[sales@apacer.com.cn](mailto:sales@apacer.com.cn)

### U.S.A.

#### Apacer Memory America, Inc.

46732 Lakeview Blvd., Fremont, CA 94538  
Tel: 1-408-518-8699  
Fax: 1-510-249-9551  
[sa@apacerus.com](mailto:sa@apacerus.com)

### Europe

#### Apacer Technology B.V.

Science Park Eindhoven 5051 5692 EB Son,  
The Netherlands  
Tel: 31-40-267-0000  
Fax: 31-40-290-0686  
[sales@apacer.nl](mailto:sales@apacer.nl)

### India

#### Apacer Technologies Pvt Ltd,

1874, South End C Cross, 9<sup>th</sup> Block Jayanagar,  
Bangalore-560069, India  
Tel: 91-80-4152-9061/62  
Fax: 91-80-4170-0215  
[sales\\_india@apacer.com](mailto:sales_india@apacer.com)