

RoHS Compliant

Apacer Micro SATA Disk Chip

uSDC-Plus Demo Board Schematic

July 21st, 2014

Version 1.3



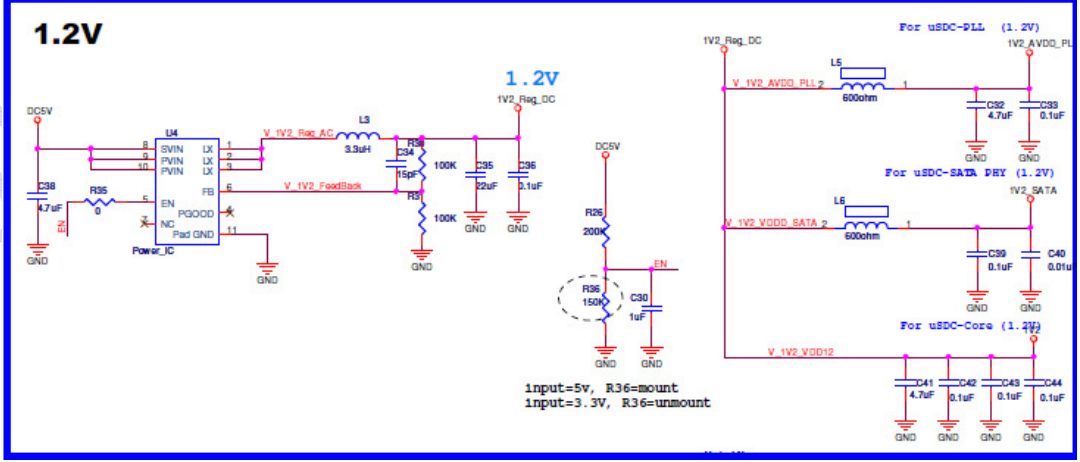
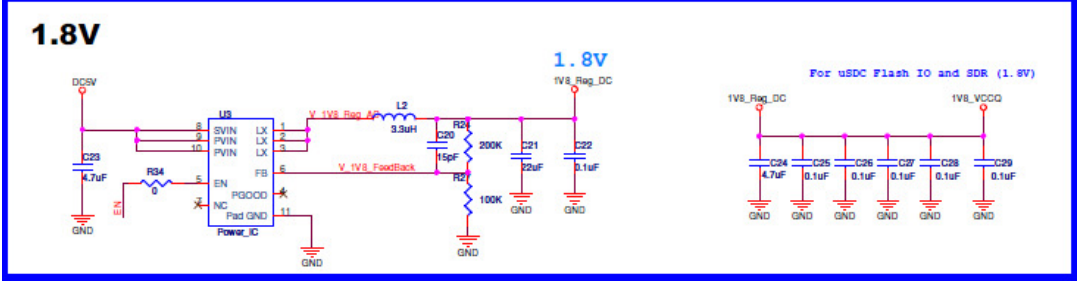
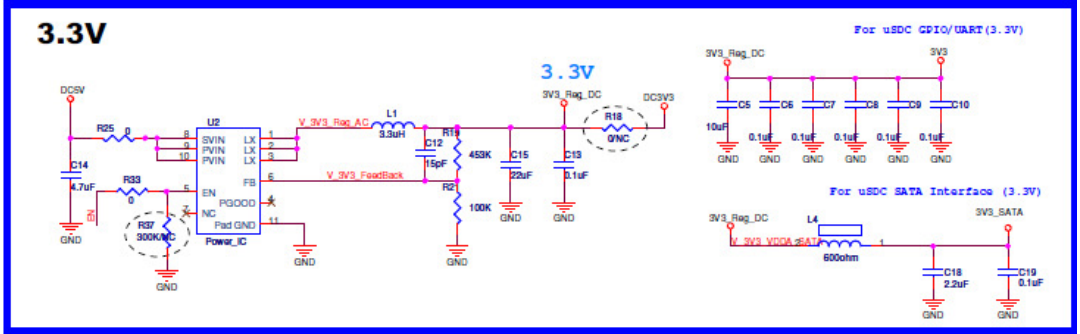
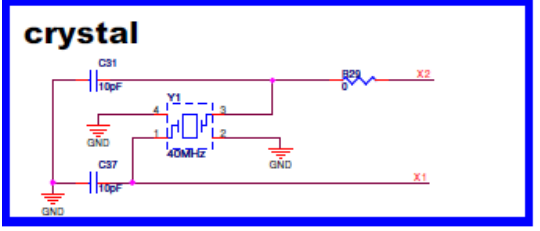
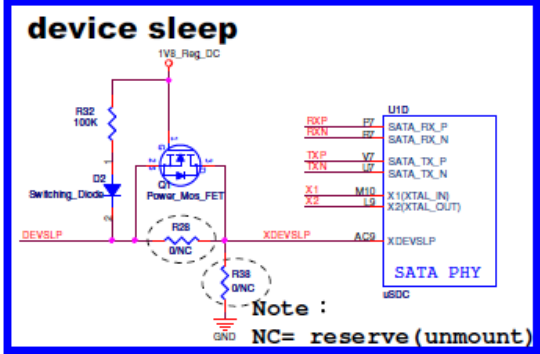
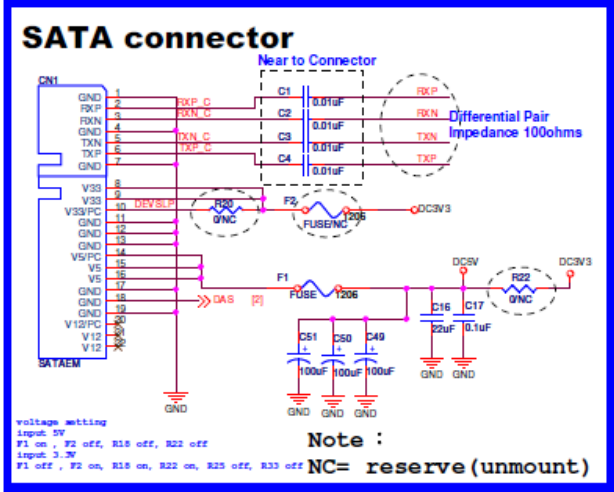
Apacer Technology Inc.

1F, No.32, Zhongcheng Rd., Tucheng Dist., New Taipei City, Taiwan, R.O.C

Tel: +886-2-2267-8000 Fax: +886-2-2267-2261

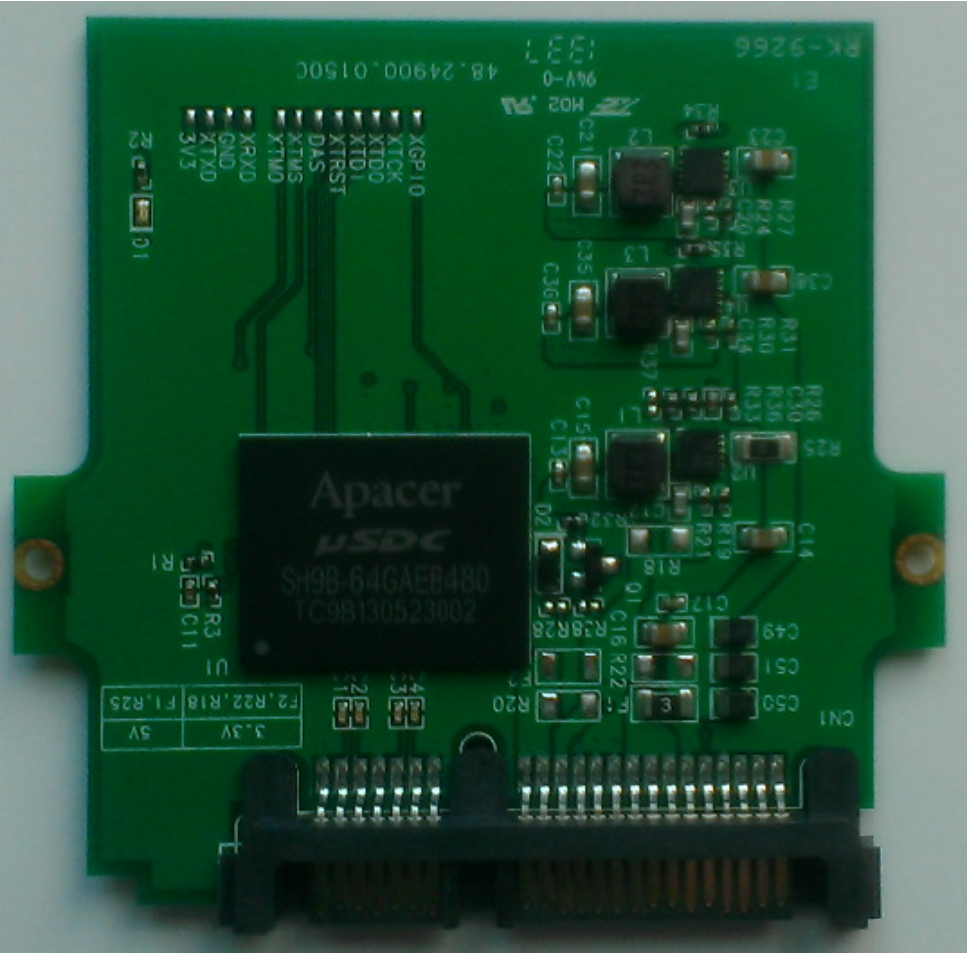
www.apacer.com

Confidential



Demo Board

The image below serves as testing board reference.



Confidential

Demo Board Input 5V BOM List

Item Number	Part Reference	Q'ty	Description
1	C1,C2,C3,C4,C40	5	Cap 0.01uF
2	C5	1	Cap 10uF
3	C6,C7,C8,C9,C10,C13,C17,C19,C22,C25,C26,C27,C28,C29,C33,C36,C39,C42,C43,C44	20	Cap 0.1uF
4	C30	1	Cap 1uF
5	C12,C20,C34	3	Cap 15pF
6	C14,C23,C24,C32,C38,C41	6	Cap 4.7uF
7	C15,C16,C21,C35	4	Cap 22uF
8	C18	1	Cap 2.2uF
9	C31,C37	2	Cap 10pF
10	C49,C50,C51	3	TanCap 100uF
11	CN1	1	SATA Conn. 7+15pin
12	D1	1	LED
13	D2	1	Switching Diode CDSF355B
14	F1	1	Fuse
15	L1,L2,L3	3	L=3.3uH

16	L4,L5,L6	3	BEAD 600ohm
17	Q1	1	Power MOSFET N-ch SM2326NSAN
18	R2	1	Res 470ohm
19	R21,R27,R30,R31,R32	5	Res 100Kohm
20	R25	1	Res 0ohm
21	R19	1	Res 453Kohm
22	R24,R26	2	Res 200Kohm
23	R29,R33,R34,R35	4	Res 0ohm
24	R36	1	Res 150Kohm
25	U1	1	uSDC
26	U2,U3,U4	3	Step-Down Converter
27	Y1	1	Crystal 40MHz

Confidential

Demo Board Input 3.3V BOM List

Item Number	Part Reference	Q'ty	Description1
1	C1,C2,C3,C4,C40	5	Cap 0.01uF
2	C5	1	Cap 10uF
3	C6,C7,C8,C9,C10,C13,C17,C19,C22,C25,C26, C27,C28,C29,C33,C36,C39,C42,C43,C44	20	Cap 0.1uF
4	C30	1	Cap 1uF
5	C12,C20,C34	3	Cap 15pF
6	C14,C23,C24,C32,C38,C41	6	Cap 4.7uF
7	C15,C16,C21,C35	4	Cap 22uF
8	C18	1	Cap 2.2uF
9	C31,C37	2	Cap 10pF
10	C49,C50,C51	3	TanCap 100uF
11	CN1	1	SATA Conn. 7+15pin
12	D1	1	LED
13	D2	1	Switching Diode CDSF355B
14	F2	1	Fuse
15	L1,L2,L3	3	L=3.3uH
16	L4,L5,L6	3	BEAD 600ohm

17	Q1	1	Power MOSFET N-ch SM2326NSAN
18	R2	1	Res 470ohm
19	R21,R27,R30,R31,R32	5	Res 100Kohm
20	R18,R22,R25	3	Res 0ohm
21	R19	1	Res 453Kohm
22	R24,R26	2	Res 200Kohm
23	R29,R34,R35	3	Res 0ohm 0402
24	U1	1	uSDC
25	U2,U3,U4	3	Step-Down Converter
26	Y1	1	Crystal 40MHz

Confidential

Revision History

Revision	Date	Description	Remark
1.0	05/09/2014	Official release	
1.1	07/10/2014	Rearranged page layout	
1.2	07/15/2014	File renamed as "Demo Board Schematic" Added demo board image	
1.3	07/21/2014	Added 5V and 3.3V BOM lists	

Confidential