

## RoHS Compliant PCI Express Flash Drive

### Industrial PV220-M242 Product Specifications

**November 17, 2023**

**Version 1.1**



**Apacer Technology Inc.**

1F, No.32, Zhongcheng Rd., Tucheng Dist., New Taipei City, Taiwan, R.O.C

Tel: +886-2-2267-8000 Fax: +886-2-2267-2261

[www.apacer.com](http://www.apacer.com)

## Specifications Overview:

- **PCIe Interface**
  - Compliant with PCI Express 3.1
  - Compliant with NVMe 1.3
  - Compatible with PCIe Gen3 x2 interface
- **Capacity**
  - 120, 240, 480, 960 GB
- **Performance<sup>1</sup>**
  - Interface burst read/write: 2 GB/sec
  - Sequential read: up to 1,855 MB/sec
  - Sequential write: up to 1,680 MB/sec
  - Random read (4K): up to 204,000 IOPS
  - Random write (4K): up to 277,000 IOPS
- **Flash Management**
  - Low-Density Parity-Check (LDPC) Code
  - Global Wear Leveling
  - Flash bad-block management
  - Flash Translation Layer: Page Mapping
  - S.M.A.R.T.
  - DataDefender™
  - TRIM
  - Hyper Cache Technology
  - Over-provisioning
  - DataRAID™
  - NVMe Secure Erase
- **NVMe Features<sup>2</sup>**
  - Supports HMB (Host Memory Buffer)
- **NAND Flash Type:** 3D TLC (BiCS5)
- **MTBF:** >3,000,000 hours
- **Endurance (in drive writes per day: DWPD)**
  - 120 GB: 2.1 DWPD
  - 240 GB: 2.13 DWPD
  - 480 GB: 2.1 DWPD
  - 960 GB: 2.13 DWPD
- **Temperature Range**
  - Operating:
    - Standard: 0°C to 70°C
    - Wide: -40°C to 85°C
  - Storage: -55°C to 100°C
- **Supply Voltage**
  - 3.3V ± 5%
- **Power Consumption<sup>1</sup>**
  - Active mode (Max.): 1,055 mA
  - Idle mode: 155 mA
- **Connector Type**
  - 75-pin M.2 module pinout
- **Power Management**
  - Supports APST
  - Supports ASPM L1.2
- **Security**
  - AES 256-bit hardware encryption
- **Reliability**
  - Thermal Sensor
  - Thermal Throttling
  - Heat Spreader
  - End-to-End Data Protection
  - Sidefill
- **Form Factor**
  - Double-sided: M.2 2242-B-M
  - Dimensions: 22.00 x 42.00 x 4.08<sub>(max.)</sub>, unit: mm
  - Net weight: 4.07g ± 5%
- **LED Indicators for Drive Behavior**
- **RoHS Compliant**

Notes:

1. Varies from capacities. The values for performances and power consumptions presented are typical and may vary depending on flash configurations or platform settings.
2. Windows 10 (version 1703) onwards supports the HMB (Host Memory Buffer) function.

## Table of Contents

<b>1. General Description .....</b>	<b>4</b>
<b>2. Functional Block .....</b>	<b>4</b>
<b>3. Pin Assignments.....</b>	<b>5</b>
<b>4. Product Specifications.....</b>	<b>8</b>
4.1 Capacity.....	8
4.2 Performance .....	8
4.3 Environmental Specifications .....	9
4.4 Mean Time Between Failures (MTBF) .....	9
4.5 Certification and Compliance.....	9
4.6 Endurance .....	10
4.7 LED Indicator Behavior.....	10
<b>5. Flash Management .....</b>	<b>11</b>
5.1 Error Correction/Detection.....	11
5.2 Bad Block Management .....	11
5.3 Global Wear Leveling .....	11
5.4 DataDefender™ .....	11
5.5 TRIM.....	11
5.6 Flash Translation Layer – Page Mapping.....	12
5.7 Hyper Cache Technology .....	12
5.8 Over-provisioning .....	12
5.9 DataRAID™ .....	12
5.10 NVMe Secure Erase.....	12
<b>6. NVMe Support Features .....</b>	<b>13</b>
6.1 Host Memory Buffer.....	13
<b>7. Security and Reliability Features .....</b>	<b>14</b>
7.1 Advanced Encryption Standard .....	14
7.2 Thermal Sensor .....	14
7.3 Thermal Throttling .....	14
7.4 End-to-End Data Protection.....	14
7.5 Heat Spreaders .....	15
7.6 Sidfill .....	15

<b>8. Software Interface .....</b>	<b>16</b>
8.1 Command Set.....	16
8.2 S.M.A.R.T. ....	17
<b>9. Electrical Specifications.....</b>	<b>19</b>
9.1 Operating Voltage.....	19
9.2 Power Consumption .....	19
<b>10. Mechanical Specifications .....</b>	<b>20</b>
<b>11. Product Ordering Information.....</b>	<b>22</b>
11.1 Product Code Designations.....	22
11.2 Valid Combinations.....	23

## 1. General Description

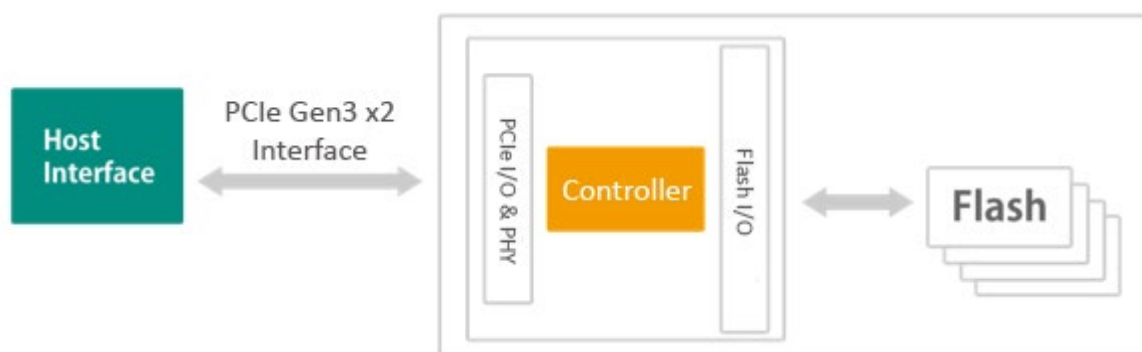
Apacer PV220-M242 is the fastest SSD designed as M.2 2242 mechanical dimensions which provides full compliance with PCIe Gen3 x2 interface and NVMe 1.3 specifications, allowing it to operate in power management modes and greatly save on power consumption. Built with a powerful PCIe controller that supports on-the-module ECC as well as efficient wear leveling scheme, PV220-M242 delivers exceptionally low latency and outstanding performance in data transfer. With the compact and high-speed storage, PV220-M242 is the ideal choice for larger, faster hosts deployed in a wide range of applications that require outstanding performance.

Utilizing 3D NAND for higher capacity up to 960GB and providing more power efficiency than 2D NAND, PV220-M242 is not only implemented with LDPC (Low Density Parity Check) ECC engine to extend SSD endurance and increase data reliability, but also equipped with a built-in thermal sensor to monitor the temperature of the SSD via S.M.A.R.T commands and configured with thermal throttling to dynamically adjust frequency scaling to enhance data reliability and provide sustained performance while overheating. To ensure that products continue to operate normally in high vibration and under extreme environmental changes, Apacer provides Sidefill technology to increase product reliability and resistance to various thermal and mechanical shocks as well as a graphene heat spreader to help keep an SSD cool and functioning correctly. For highly-intensive applications, End-to-End Data Protection ensures that data integrity can be assured at multiple points in the path to enable reliable delivery of data transfers.

Security-wise, Advanced Encryption Standard (AES) ensures data security and provides users with peace of mind knowing their data is safeguarded against unauthorized use at all times. PV220-M242 also adopts the latest page mapping file translation layer and comes with various implementations including flash block management, wear leveling, power saving modes, DataDefender, TRIM, Hyper Cache technology, over-provisioning, DataRAID, and NVMe secure erase.

With exceptional performance, trustable reliability and enhanced data protection, PV220-M242 is definitely the ideal storage or cache solution for a variety of applications ranging from industrial, imaging, computing to enterprise markets.

## 2. Functional Block



Note: The actual number of NAND flash used on Apacer PV220-M242 varies from capacities. The illustration is for reference only.

Figure 2-1 Functional Block Diagram

### 3. Pin Assignments

This connector does not support hot plug capability. There are a total of 75 pins. 12 pin locations are used for mechanical key locations; this allows such a module to plug into both Key B and Key M connectors.

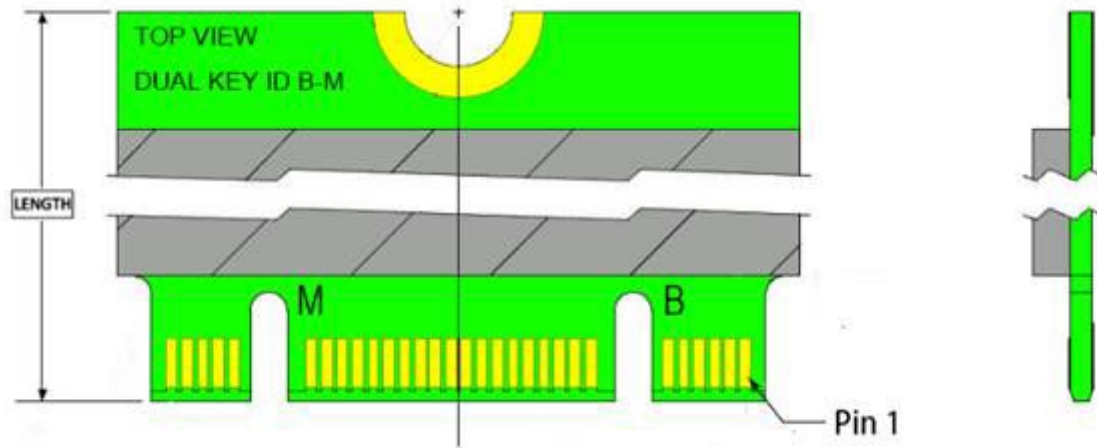


Figure 3-1 Pin Connectors

Table 3-1 Pin Assignments

Pin No.	Type	Description
1	GND	Ground
2	3.3V	3.3V source
3	GND	Ground
4	3.3V	3.3V source
5	N/C	No connect
6	N/C	No connect
7	N/C	No connect
8	N/C	No connect
9	GND	No connect
10	LED1#(O)	Status indicators via LED devices
11	N/C	No connect
12	Module Key	Module Key
13	Module Key	Module Key
14	Module Key	Module Key
15	Module Key	Module Key
16	Module Key	Module Key
17	Module Key	Module Key
18	Module Key	Module Key
19	Module Key	Module Key
20	N/C	No connect
21	GND	Ground

Table 3-1 Pin Assignments

Pin No.	Type	Description
22	N/C	No connect
23	N/C	No connect
24	N/C	No connect
25	N/C	No connect
26	N/C	No connect
27	GND	Ground
28	N/C	Reserved for Apacer use only <sup>1</sup>
29	PETn1	PCIe TX Differential signal defined by the PCI Express M.2 spec
30	N/C	Reserved for Apacer use only <sup>1</sup>
31	PETp1	PCIe TX Differential signal defined by the PCI Express M.2 spec
32	N/C	No connect
33	GND	Ground
34	N/C	No connect
35	PERn1	PCIe RX Differential signal defined by the PCI Express M.2 spec
36	N/C	No connect
37	PERp1	PCIe RX Differential signal defined by the PCI Express M.2 spec
38	N/C	No connect
39	GND	Ground
40	SMB_CLK	No connect
41	PETn0	PCIe TX Differential signal defined by the PCI Express M.2 spec
42	SMB_DATA	No connect
43	PETp0	PCIe TX Differential signal defined by the PCI Express M.2 spec
44	ALERT#	No connect
45	GND	Ground
46	N/C	No connect
47	PERn0	PCIe RX Differential signal defined by the PCI Express M.2 spec
48	N/C	No connect
49	PERp0	PCIe RX Differential signal defined by the PCI Express M.2 spec
50	PERST#(I/O)(0/3.3V)	PE-Reset is a functional reset to the card as specification. defined by the PCIe Mini CEM
51	GND	Ground
52	CLKREQ#(I/O)(0/3.3V)	Clock Request is a reference clock request signal as defined by the PCIe Mini CEM specification; Also used by L1 PM Substates.
53	REFCLKn	PCIe Reference Clock signals (100 MHz) spec. defined by the PCI Express M.2
54	PEWAKE#(I/O)(0/3.3V)	No connect
55	REFCLKp	PCIe Reference Clock signals (100 MHz) spec. defined by the PCI Express M.2
56	Reserved for MFG DATA	Reserved for Apacer use only <sup>1</sup>
57	GND	Ground
58	Reserved for MFG CLOCK	Reserved for Apacer use only <sup>1</sup>
59	Module Key	Module Key
60	Module Key	Module Key

**Table 3-1 Pin Assignments**

Pin No.	Type	Description
61	Module Key	Module Key
62	Module Key	Module Key
63	Module Key	Module Key
64	Module Key	Module Key
65	Module Key	Module Key
66	Module Key	Module Key
67	N/C	Reserved for Apacer use only <sup>1</sup>
68	N/C	No connect
69	PEDET (NC-PCIe)	No connect
70	3.3V	3.3V source
71	GND	Ground
72	3.3V	3.3V source
73	GND	Ground
74	3.3V	3.3V source
75	GND	Ground

Note:

1. Reserved by Apacer, please do not connect to a host.

## 4. Product Specifications

### 4.1 Capacity

Capacity specifications of PV220-M242 are available as shown in Table 4-1.

**Table 4-1 Capacity Specifications**

Capacity	Total bytes	Total LBA
120 GB	120,034,123,776	234,441,648
240 GB	240,057,409,536	468,862,128
480 GB	480,103,981,056	937,703,088
960 GB	960,197,124,096	1,875,385,008

Notes:

- Display of total bytes varies from operating systems.
- 1 GB = 1,000,000,000 bytes; 1 sector = 512 bytes.
- LBA count addressed in the table above indicates total user storage capacity and will remain the same throughout the lifespan of the device. However, the total usable capacity of the SSD is most likely to be less than the total physical capacity because a small portion of the capacity is reserved for device maintenance usages.

### 4.2 Performance

Performance of PV220-M242 is listed below in Table 4-2.

**Table 4-2 Performance Specifications**

Capacity	120 GB	240 GB	480 GB	960 GB
Performance				
<b>Sequential Read (MB/s)</b>	1,060	1,850	1,855	1,850
<b>Sequential Write (MB/s)</b>	550	1,105	1,620	1,680
<b>4K Random Read (IOPS)</b>	48,000	90,000	191,000	204,000
<b>4K Random Write (IOPS)</b>	103,000	179,000	261,000	277,000

Notes:

- Results may differ from various flash configurations or host system setting.
- Sequential read/write is based on CrystalDiskMark 8.0.4 with file size 1,000MB.
- Random read/write is measured using IOMeter with Queue Depth 128.

### 4.3 Environmental Specifications

Environmental specifications of PV220-M242 are shown in Table 4-3.

**Table 4-3 Environmental Specifications**

Parameter	Type	Specifications
Temperature	Operating	0°C to 70°C (Standard); -40°C to 85°C (Wide)
	Non-operating	-55°C to 100°C
Vibration	Operating	7.69 GRMS, 20~2000 Hz/random (compliant with MIL-STD-810G)
	Non-operating	4.02 GRMS, 15~2000 Hz/random (compliant with MIL-STD-810G)
Shock	Operating	Acceleration, 50(G)/11(ms)/half sine (compliant with MIL-STD-202G)
	Non-operating	Acceleration, 1500(G)/0.5(ms)/half sine (compliant with MIL-STD-883K)

Note: This Environmental Specification table indicates the conditions for testing the device. Real world usages may affect the results.

### 4.4 Mean Time Between Failures (MTBF)

Mean Time Between Failures (MTBF) is predicted based on reliability data for the individual components in PV220-M242. The prediction result for PV220-M242 is more than 3,000,000 hours.

Note: The MTBF is predicated and calculated based on “Telcordia Technologies Special Report, SR-332, Issue 3” method.

### 4.5 Certification and Compliance

PV220-M242 complies with the following standards:

- CE
- UKCA
- FCC
- RoHS
- MIL-STD-810G

## 4.6 Endurance

The endurance of a storage device is predicted by Drive Writes Per Day based on several factors related to usage, such as the amount of data written into the drive, block management conditions, and daily workload for the drive. Thus, key factors, such as Write Amplifications and the number of P/E cycles, can influence the lifespan of the drive.

**Table 4-4 Endurance Specifications**

Capacity	Drive Writes Per Day
120 GB	2.1
240 GB	2.13
480 GB	2.1
960 GB	2.13

Notes:

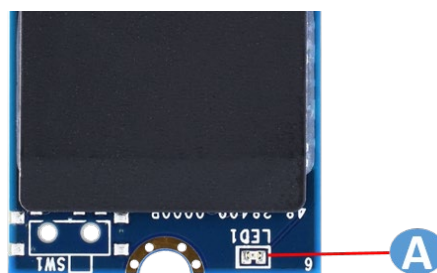
- This estimation complies with JEDEC JESD-219, enterprise endurance workload of random data with payload size distribution.
- Flash vendor guaranteed 3D NAND TLC P/E cycle: 3K
- WAF may vary from capacity, flash configurations and writing behavior on each platform.
- 1 Terabyte = 1,024GB
- DWP (Drive Writes Per Day) is calculated based on the number of times that user overwrites the entire capacity of an SSD per day of its lifetime during the warranty period. (3D NAND TLC warranty: 3 years)

## 4.7 LED Indicator Behavior

The behavior of the PV220-M242 LED indicators is described in Table 4-5.

**Table 4-5 LED Behavior**

Location	LED	Description
LED A	DAS	LED blinks when the drive is being accessed



## 5. Flash Management

### 5.1 Error Correction/Detection

PV220-M242 implements a hardware ECC scheme, based on the Low Density Parity Check (LDPC). LDPC is a class of linear block error correcting code which has apparent coding gain over BCH code because LDPC code includes both hard decoding and soft decoding algorithms. With the error rate decreasing, LDPC can extend SSD endurance and increase data reliability while reading raw data inside a flash chip.

### 5.2 Bad Block Management

Current production technology is unable to guarantee total reliability of NAND flash memory array. When a flash memory device leaves factory, it comes with a minimal number of initial bad blocks during production or out-of-factory as there is no currently known technology that produce flash chips free of bad blocks. In addition, bad blocks may develop during program/erase cycles. Since bad blocks are inevitable, the solution is to keep them in control. Apacer flash devices are programmed with ECC, page mapping technique and S.M.A.R.T to reduce invalidity or error. Once bad blocks are detected, data in those blocks will be transferred to free blocks and error will be corrected by designated algorithms.

### 5.3 Global Wear Leveling

Flash memory devices differ from Hard Disk Drives (HDDs) in terms of how blocks are utilized. For HDDs, when a change is made to stored data, like erase or update, the controller mechanism on HDDs will perform overwrites on blocks. Unlike HDDs, flash blocks cannot be overwritten and each P/E cycle wears down the lifespan of blocks gradually. Repeatedly program/erase cycles performed on the same memory cells will eventually cause some blocks to age faster than others. This would bring flash storages to their end of service term sooner. Global wear leveling is an important mechanism that levels out the wearing of all blocks so that the wearing-down of all blocks can be almost evenly distributed. This will increase the lifespan of SSDs.

### 5.4 DataDefender™

Apacer's DataDefender is an advanced technology of power failure management which combines both firmware and hardware mechanisms to ensure data integrity. When power disruption occurs, the low voltage detector will be triggered. When this happens, the SSD's protection mechanism is activated and cuts off data transmission from the host. Once the power supply is resumed, the firmware protection mechanism will ensure the integrity of the firmware as well as the data already written into the NAND flash media.

### 5.5 TRIM

TRIM is a feature which helps improve the read/write performance and speed of solid-state drives (SSD). Unlike hard disk drives (HDD), SSDs are not able to overwrite existing data, so the available space gradually becomes smaller with each use. With the TRIM command, the operating system can inform the SSD which blocks of data are no longer in use and can be removed permanently. Thus, the SSD will perform the erase action, which prevents unused data from occupying blocks all the time.

## 5.6 Flash Translation Layer – Page Mapping

Page mapping is an advanced flash management technology whose essence lies in the ability to gather data, distribute the data into flash pages automatically, and then schedule the data to be evenly written. Page-level mapping uses one page as the unit of mapping. The most important characteristic is that each logical page can be mapped to any physical page on the flash memory device. This mapping algorithm allows different sizes of data to be written to a block as if the data is written to a data pool and it does not need to take extra operations to process a write command. Thus, page mapping is adopted to increase random access speed and improve SSD lifespan, reduce block erase frequency, and achieve optimized performance and lifespan.

## 5.7 Hyper Cache Technology

Apacer proprietary Hyper Cache technology uses a portion of the available capacity as SLC (1bit-per-cell) NAND flash memory, called Hyper cache mode. When data is written to SSD, the firmware will direct the data to Hyper Cache mode, providing excellent performance to handle various scenarios in industrial use.

## 5.8 Over-provisioning

Over-provisioning (OP) is a certain portion of the SSD capacity exclusively for increasing Garbage Collection (GC) efficiency, especially when the SSD is filled to full capacity or performs a heavy mixed-random workload. OP has the advantages of providing extended life expectancy, reliable data integrity, and high sustained write performance.

## 5.9 DataRAID™

Apacer's DataRAID algorithm applies an additional level of protection and error-checking. Using this algorithm, a certain amount of space is given over to aggregating and resaving the existing parity data used for error checking. So, in the event that data becomes corrupted, the parity data can be compared to the existing uncorrupted data and the content of the corrupted data can be rebuilt.

## 5.10 NVMe Secure Erase

NVMe Secure Erase is an NVMe drive sanitize command currently embedded in most of the storage drives. Defined in NVMe specifications, NVMe Secure Erase is part of Format NVM command that allows storage drives to erase all user data areas. The erase process usually runs on the firmware level as most of the NVMe-based storage media currently in the market are built-in with this command. NVMe Secure Erase can securely wipe out the user data in the drive and protects it from malicious attack.

## **6. NVMe Support Features**

### **6.1 Host Memory Buffer**

Host Memory Buffer (HMB) allows HOST to allocate system memory for SSD's exclusive use in order to provide better performance and endurance, especially for DRAMless solutions.

## 7. Security and Reliability Features

### 7.1 Advanced Encryption Standard

Advanced Encryption Standard (AES) is a specification for the encryption of electronic data. AES has been adopted by the U.S. government since 2001 to protect classified information and is now widely implemented in embedded computing applications. The AES algorithm used in software and hardware is symmetric so that encrypting/decrypting requires the same encryption key. Without the key, the encrypted data is inaccessible to ensure information security.

Notably in flash memory applications, AES 256-bit hardware encryption is the mainstream to protect sensitive or confidential data. The hardware encryption provides better performance, reliability, and security than software encryption. It uses a dedicated processor, which is built inside the controller, to process the encryption and decryption. This enormously shortens the processing time and makes it efficient.

### 7.2 Thermal Sensor

Apacer Thermal Sensor is a digital temperature sensor with serial interface. By using designated pins for transmission, storage device owners are able to read temperature data.

### 7.3 Thermal Throttling

Thermal throttling can monitor the temperature of the SSD equipped with a built-in thermal sensor via S.M.A.R.T. commands. This method can ensure the temperature of the device stays within temperature limits by drive throttling, i.e. reducing the speed of the drive when the device temperature reaches the threshold level, so as to prevent overheating, guarantee data reliability, and prolong product lifespan. When the temperature exceeds the maximum threshold level, thermal throttling will be triggered to reduce performance step by step to prevent hardware components from being damaged. Performance is only permitted to drop to the extent necessary for recovering a stable temperature to cool down the device's temperature. Once the temperature decreases to the minimum threshold value, transfer speeds will rise back to its optimum performance level.

### 7.4 End-to-End Data Protection

End-to-End Data Protection is a feature implemented in Apacer SSD products that extends error control to cover the entire path from the host computer to the drive and back, and that ensures data integrity at multiple points in the path to enable reliable delivery of data transfers. Unlike ECC which does not exhibit the ability to determine the occurrence of errors throughout the process of data transmission, End-to-End Data Protection allows SSD controller to identify an error created anywhere in the path and report the error to the host computer before it is written to the drive. This error-checking and error-reporting mechanism therefore guarantees the trustworthiness and reliability of the SSD.

## 7.5 Heat Spreaders

In many applications, SSDs are subject to challenging conditions. If the working environment is already hot, and the SSD's operation causes it to increase in temperature as well, the result could be damage to the hardware or corrupted data. For this reason, Apacer's graphene heat spreaders are developed for heat dissipation to cool both the NAND Flash and the Controller IC, while still allowing an SSD to deliver high-speed performance, as well as prevent heat-related damage from occurring.

## 7.6 Sidefill

Apacer's sidefill technology strengthens the connections between solder joints and their board, making them more robust and vibration-resistant. It also allows for heat dissipation to offset thermal damage.

## 8. Software Interface

### 8.1 Command Set

Table 8-1 summarizes the commands supported by PV220-M242.

**Table 8-1 Admin Commands**

Opcode	Command Description
00h	Delete I/O Submission Queue
01h	Create I/O Submission Queue
02h	Get Log Page
04h	Delete I/O Completion Queue
05h	Create I/O Completion Queue
06h	Identify
08h	Abort
09h	Set Features
0Ah	Get Features
0Ch	Asynchronous Event Request
10h	Firmware Activate
11h	Firmware Image Download
14h	Device Self-test

**Table 8-2 Admin Commands – NVM Command Set Specific**

Opcode	Command Description
80h	Format NVM
84h	Sanitize

**Table 8-3 NVM Commands**

Opcode	Command Description
00h	Flush
01h	Write
02h	Read
04h	Write Uncorrectable
05h	Compare
08h	Write Zeroes
09h	Dataset Management

## 8.2 S.M.A.R.T.

SMART, an acronym for Self-Monitoring, Analysis and Reporting Technology, is an open standard that allows a hard disk drive to automatically detect its health and report potential failures. When a failure is recorded by SMART, users can choose to replace the drive to prevent unexpected outage or data loss. Moreover, SMART can inform users of impending failures while there is still time to perform proactive actions, such as copy data to another device.

**Table 8-4 SMART (02h)**

Byte	Length	Description
0	1	Critical Warning
1-2	2	Composite Temperature (PCB Sensor)
3	1	Available Spare
4	1	Available Spare Threshold
5	1	Percentage Used (Average Erase Count / P/E Cycle Count)
6-31	26	Reserved
32-47	16	Data Units Read
48-63	16	Data Units Written
64-79	16	Host Read Commands
80-95	16	Host Write Commands
96-111	16	Controller Busy Time
112-127	16	Power Cycles
128-143	16	Power On Hours
144-159	16	Unsafe Shutdowns
160-175	16	Media and Data Integrity Errors
176-191	16	Number of Error Information Log Entries
192-195	4	Warning Composite Temperature Time
196-199	4	Critical Composite Temperature Time
200-201	2	Temperature Sensor 1: Controller Temperature
202-203	2	Temperature Sensor 2: PCB Temperature
204-205	2	Temperature Sensor 3: NAND Flash Temperature
206-207	2	Temperature Sensor 4
208-209	2	Temperature Sensor 5
210-211	2	Temperature Sensor 6
212-213	2	Temperature Sensor 7
214-215	2	Temperature Sensor 8
216-511	296	Reserved

Note: Temperature display of the Temperature Sensor from 1 to 8 (corresponding bytes from 200 to 215) is not supported if the return value is 0h.

**Table 8-5 SMART (C0h)**

Byte	Length	Description
0-255	256	Reserved
256-257	2	SSD Protect Mode
258-261	4	Host Read UNC Count
262-265	4	Reserved
266-269	4	CRC Error Count
270-273	4	Total Early Bad Block Count
274-277	4	Total Later Bad Block Count
278-281	4	Max Erase Count
282-285	4	Average Erase Count
286-289	4	Program Fail Count
290-293	4	Erase Fail Count
294-301	8	Flash Write Sector
302-305	4	Total Spare Block
306-309	4	Current Spare Block
310-313	4	Read Retry Count
314-511	210	Reserved

## 9. Electrical Specifications

### 9.1 Operating Voltage

Table 9-1 lists the supply voltage for PV220-M242.

**Table 9-1 Operating Range**

Item	Range
Supply Voltage	3.3V ± 5%

### 9.2 Power Consumption

Table 9-2 lists the power consumption for PV220-M242.

**Table 9-2 Power Consumption**

Mode \ Capacity	Unit	120 GB	240 GB	480 GB	960 GB
Active (Max.)	mA	665	930	940	1055
Idle		145	140	150	155

Notes:

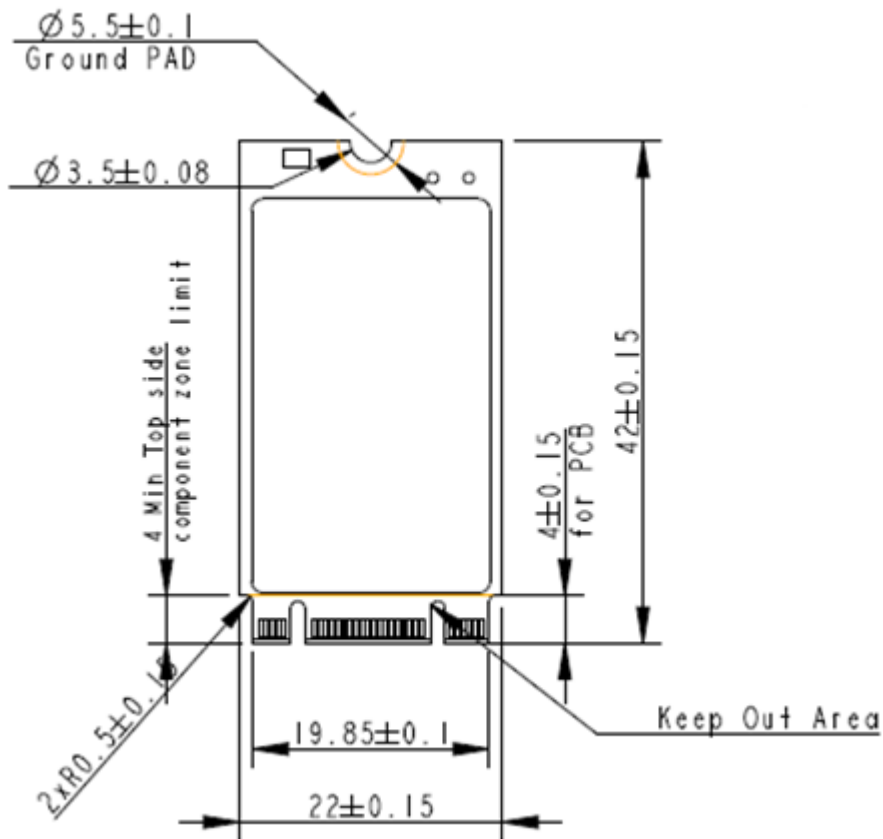
- All values are typical and may vary depending on flash configurations or host system settings.
- Power consumption is measured using CrystalDiskMark 8.0.4 with file size 1,000MB.

## 10. Mechanical Specifications

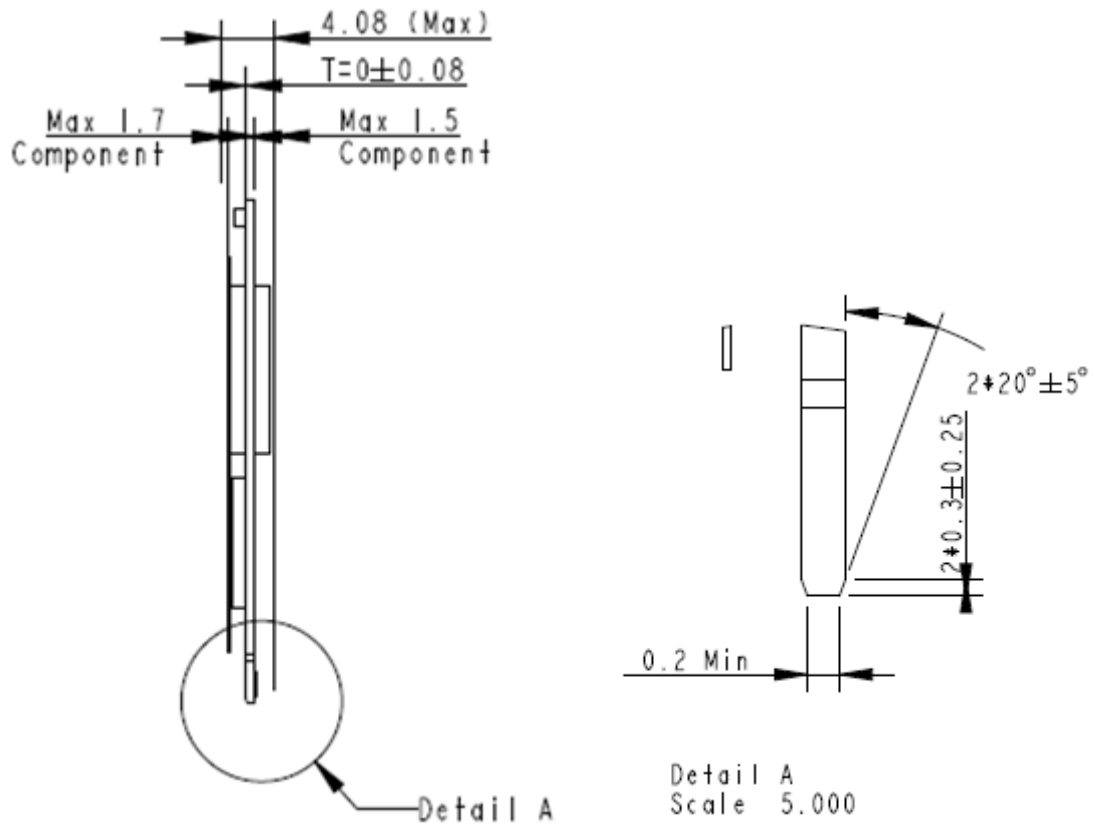
Table 10-1 Physical Information

Parameter	Unit	120 GB	240 GB	480 GB	960 GB
Length	mm	42.00 ± 0.15			
Width		22.00 ± 0.15			
Height (Max.)		4.08			
Weight	g ± 5%	3.55	3.89	3.92	4.07

### Top View



## Side View



## Bottom View

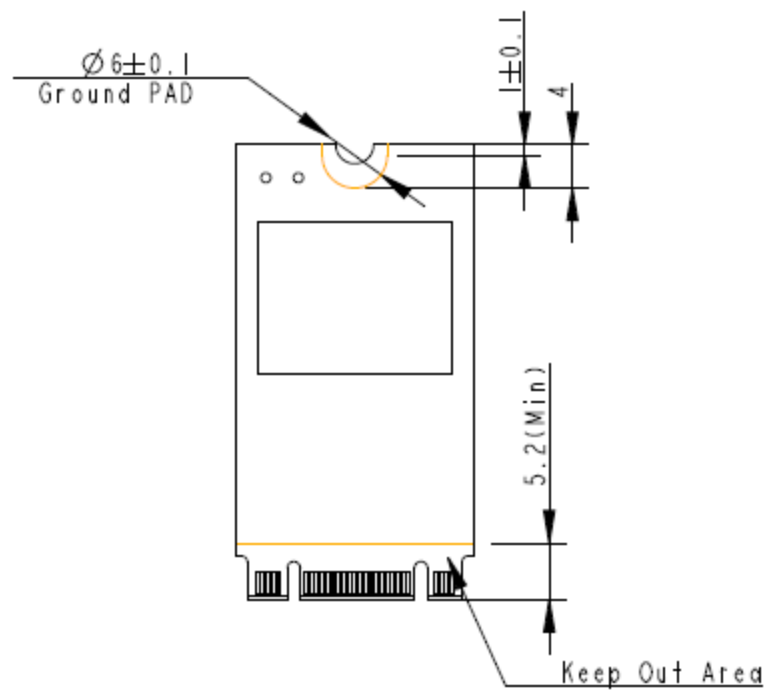


Figure 10-1 Physical Dimensions

## 11. Product Ordering Information

### 11.1 Product Code Designations

Apacer's PV220-M242 SSD is available in different configurations and densities. See the chart below for a comprehensive list of options for the PV220-M242 series devices.

Code	1	2	3	4	5	6	7	8	9	10	11	12	13	14	15	16
	B	7	2	.	2	2	5	X	X	Z	.	0	0	1	X	X

<b>Code 1-3 (Product Line &amp; Form Factor)</b>	PCIe M.2 2242
<b>Code 5-6 (Model/Solution)</b>	PV220
<b>Code 7-8 (Product Capacity)</b>	5H: 120GB 5J: 240GB 5K: 480GB 5L: 960GB
<b>Code 9 (Flash Type &amp; Product Temp)</b>	G: 3D TLC standard temperature H: 3D TLC wide temperature
<b>Code 10 (Product Spec)</b>	Double-sided B+M key with heat spreader
<b>Code 12-14 (Version Number)</b>	Random numbers generated by system
<b>Code 15-16 (Firmware Version)</b>	22/25: Thermal Sensor

## 11.2 Valid Combinations

The following table lists the available model of the PV220-M242 series which is in mass production or will be in mass production. Consult your Apacer sales representative to confirm availability of valid combinations and to determine availability of new combinations.

Capacity	Standard Temperature	Wide Temperature
120GB	B72.225HGZ.00125	B72.225HHZ.00125
240GB	B72.225JGZ.00122	B72.225JHZ.00122
480GB	B72.225KGZ.00122	B72.225KHZ.00122
960GB	B72.225LGZ.00122	B72.225LHZ.00122

## Revision History

Revision	Description	Date
0.1	Preliminary release	9/8/2023
1.0	Added standard temperature support	10/11/2023
1.1	<ul style="list-style-type: none"><li>- Added Heat Spreader to the Reliability section on Specifications Overview page</li><li>- Added 7.5 Heat Spreaders</li><li>- Updated 11.1 Product Code Designations by adding heat spreaders to code 10</li></ul>	11/17/2023

## Global Presence

### Taiwan (Headquarters)

#### Apacer Technology Inc.

1F., No.32, Zhongcheng Rd., Tucheng Dist.,  
New Taipei City 236, Taiwan R.O.C.  
Tel: 886-2-2267-8000  
Fax: 886-2-2267-2261  
[amtsales@apacer.com](mailto:amtsales@apacer.com)

### U.S.A.

#### Apacer Memory America, Inc.

46732 Lakeview Blvd., Fremont, CA 94538  
Tel: 1-408-518-8699  
Fax: 1-510-249-9551  
[sa@apacerus.com](mailto:sa@apacerus.com)

### Japan

#### Apacer Technology Corp.

6F, Daiyontamachi Bldg., 2-17-12, Shibaura, Minato-Ku,  
Tokyo, 108-0023, Japan  
Tel: 81-3-5419-2668  
Fax: 81-3-5419-0018  
[jpservices@apacer.com](mailto:jpservices@apacer.com)

### Europe

#### Apacer Technology B.V.

Science Park Eindhoven 5051 5692 EB Son,  
The Netherlands  
Tel: 31-40-267-0000  
Fax: 31-40-290-0686  
[sales@apacer.nl](mailto:sales@apacer.nl)

### China

#### Apacer Electronic (Shanghai) Co., Ltd

Room D, 22/FL, No.2, Lane 600, JieyunPlaza,  
Tianshan RD, Shanghai, 200051, China  
Tel: 86-21-6228-9939  
Fax: 86-21-6228-9936  
[sales@apacer.com.cn](mailto:sales@apacer.com.cn)

### India

#### Apacer Technologies Pvt Ltd,

1874, South End C Cross, 9<sup>th</sup> Block Jayanagar,  
Bangalore-560069, India  
Tel: 91-80-4152-9061/62  
Fax: 91-80-4170-0215  
[sales\\_india@apacer.com](mailto:sales_india@apacer.com)