



Test Report issued under the responsibility of:



**TEST REPORT  
IEC 62368-1**

**Audio/video, information and communication technology equipment  
Part 1: Safety requirements**

Report Number ..... : WL-ITAV-22J0401-A2

Date of issue..... : 2023-08-09

Total number of pages ..... : 11

Name of Testing Laboratory preparing the Report ..... : Wendell Electrical Testing Lab  
3F., No. 6, Aly. 6, Lane. 235, Baoqiao Rd., Xindian District, New Taipei  
City 231028, (Taiwan), Chinese Taipei

Applicant's name ..... : APACER TECHNOLOGY INC  
Address ..... : 1F 32 Zhongcheng Rd Tucheng District New Taipei, 236 TAIWAN

**Test specification:**

Standard..... : IEC 62368-1:2014

Test procedure ..... : CB Scheme

Non-standard test method ..... : N/A

TRF template used..... : IECEE OD-2020-F1:2021, Ed.1.4

Test Report Form No. .... : IEC62368\_1D

Test Report Form(s) Originator .. : UL(US)

Master TRF..... : Dated 2022-04-14

**Copyright © 2022 IEC System of Conformity Assessment Schemes for Electrotechnical Equipment and Components (IECEE System). All rights reserved.**



This publication may be reproduced in whole or in part for non-commercial purposes as long as the IECEE is acknowledged as copyright owner and source of the material. IECEE takes no responsibility for and will not assume liability for damages resulting from the reader's interpretation of the reproduced material due to its placement and context.

If this Test Report Form is used by non-IECEE members, the IECEE/IEC logo and the reference to the CB Scheme procedure shall be removed.

**This report is not valid as a CB Test Report unless signed by an approved CB Testing Laboratory and appended to a CB Test Certificate issued by an NCB in accordance with IECEE 02.**

**General disclaimer:**

The test results presented in this report relate only to the object tested.  
This report shall not be reproduced, except in full, without the written approval of the Issuing CB Testing Laboratory. The authenticity of this Test Report and its contents can be verified by contacting the NCB, responsible for this Test Report.

Test Item description .....		SSD
Trade Mark(s) .....		Apacer
Manufacturer .....		Same as applicant
Model/Type reference .....		<b>SX24X-25 (X= A~Z, 0~9)</b>
Ratings .....		DC 5.0V/1500mA
<b>Responsible Testing Laboratory (as applicable), testing procedure and testing location(s):</b>		
<input checked="" type="checkbox"/>	<b>CB Testing Laboratory:</b>	Wendell Electrical Testing Lab
Testing location/ address .....		3F., No. 6, Aly. 6, Lane. 235, Baoqiao Rd., Xindian District, New Taipei City 231028, (Taiwan), Chinese Taipei
Tested by (name, function, signature) .....		Rex Su (Project Handler) 
Approved by (name, function, signature) .....		Albert Wang (Reviewer) 
<input type="checkbox"/>	<b>Testing procedure: CTF Stage 1:</b>	
Testing location/ address .....		
Tested by (name, function, signature) .....		
Approved by (name, function, signature) .....		
<input type="checkbox"/>	<b>Testing procedure: CTF Stage 2:</b>	
Testing location/ address .....		
Tested by (name, function, signature) .....		
Witnessed by (name, function, signature) .....		
Approved by (name, function, signature) .....		
<input type="checkbox"/>	<b>Testing procedure: CTF Stage 3 :</b>	
<input type="checkbox"/>	<b>Testing procedure: CTF Stage 4:</b>	
Testing location/ address .....		
Tested by (name, function, signature) .....		
Witnessed by (name, function, signature) .....		
Approved by (name, function, signature) .....		
Supervised by (name, function, signature) .....		

<b>List of Attachments (including a total number of pages in each attachment):</b>	
- National Differences (34 pages)	
<b>Summary of testing:</b>	
N/A	
<b>Tests performed (name of test and test clause):</b>	<b>Testing location:</b>
N/A	N/A
<b>Summary of compliance with National Differences (List of countries addressed):</b>	
EU group, United Kingdom (per customer's request shown separately), Canada, United States, Japan, Italy, Denmark, Australia and New Zealand.	
<input checked="" type="checkbox"/> <b>The product fulfils the requirements of EN 62368-1:2014 + A11: 2017, BS EN 62368-1:2014 + A11: 2017.</b> <input checked="" type="checkbox"/> <b>The product fulfils the requirements of CSA/UL 62368-1:2014.</b> <input checked="" type="checkbox"/> <b>The product fulfils the requirements of J62368-1 (2020).</b> <input checked="" type="checkbox"/> <b>The product fulfils the requirements of CEI EN 62368-1:2016.</b> <input checked="" type="checkbox"/> <b>The product fulfils the requirements of DS/EN 62368-1:2014.</b> <input checked="" type="checkbox"/> <b>The product fulfils the requirements of AS/NZS 62368.1:2018.</b>	
<b>Use of uncertainty of measurement for decisions on conformity (decision rule) :</b>	
<input checked="" type="checkbox"/> No decision rule is specified by the IEC standard, when comparing the measurement result with the applicable limit according to the specification in that standard. The decisions on conformity are made without applying the measurement uncertainty ("simple acceptance" decision rule, previously known as "accuracy method").  <input type="checkbox"/> Other: (to be specified, for example when required by the standard or client, or if national accreditation requirements apply)	
<b>Information on uncertainty of measurement:</b>	
<p>The uncertainties of measurement are calculated by the laboratory based on application of criteria given by OD-5014 for test equipment and application of test methods, decision sheets and operational procedures of IECEE.</p> <p>IEC Guide 115 provides guidance on the application of measurement uncertainty principles and applying the decision rule when reporting test results within IECEE scheme, noting that the reporting of the measurement uncertainty for measurements is not necessary unless required by the test standard or customer.</p> <p>Calculations leading to the reported values are on file with the NCB and testing laboratory that conducted the testing.</p>	

Copy of marking plate:

The artwork below may be only a draft. The use of certification marks on a product must be authorized by the respective NCBs that own these marks.

(Representative)



TEST ITEM PARTICULARS:	
Classification of use by .....	<input checked="" type="checkbox"/> Ordinary person <input type="checkbox"/> Instructed person <input type="checkbox"/> Skilled person <input checked="" type="checkbox"/> Children likely to be present
Supply Connection .....	<input type="checkbox"/> AC Mains <input type="checkbox"/> DC Mains <input checked="" type="checkbox"/> External Circuit - not Mains connected - <input checked="" type="checkbox"/> ES1 <input type="checkbox"/> ES2 <input type="checkbox"/> ES3
Supply % Tolerance .....	<input type="checkbox"/> +10%/-10% (for AC input) <input type="checkbox"/> +20%/-15% (for DC input) <input type="checkbox"/> + ___ % / - ___ % <input checked="" type="checkbox"/> None
Supply Connection – Type .....	<input type="checkbox"/> pluggable equipment type A - <input type="checkbox"/> non-detachable supply cord <input type="checkbox"/> appliance coupler <input type="checkbox"/> direct plug-in <input type="checkbox"/> mating connector <input type="checkbox"/> pluggable equipment type B - <input type="checkbox"/> non-detachable supply cord <input type="checkbox"/> appliance coupler <input type="checkbox"/> permanent connection <input type="checkbox"/> mating connector <input checked="" type="checkbox"/> other: <u>Not directly connect to the mains</u> _
Considered current rating of protective device as part of building or equipment installation .....	___N/A___ A; Installation location: <input type="checkbox"/> building; <input type="checkbox"/> equipment
Equipment mobility .....	<input checked="" type="checkbox"/> movable <input type="checkbox"/> hand-held <input checked="" type="checkbox"/> transportable <input type="checkbox"/> stationary <input checked="" type="checkbox"/> for building-in <input type="checkbox"/> direct plug-in <input type="checkbox"/> rack-mounting <input type="checkbox"/> wall-mounted
Over voltage category (OVC) .....	<input type="checkbox"/> OVC I <input type="checkbox"/> OVC II <input type="checkbox"/> OVC III <input type="checkbox"/> OVC IV <input checked="" type="checkbox"/> other: <u>Not directly connect to the mains</u>
Class of equipment .....	<input type="checkbox"/> Class I <input type="checkbox"/> Class II <input checked="" type="checkbox"/> Class III <input type="checkbox"/> Class II with functional earthing <input type="checkbox"/> Not classified
Access location .....	<input type="checkbox"/> restricted access area <input checked="" type="checkbox"/> N/A
Pollution degree (PD) .....	<input type="checkbox"/> PD 1 <input checked="" type="checkbox"/> PD 2 <input type="checkbox"/> PD 3
Manufacturer's specified maximum operating ambient .....	85 °C
IP protection class .....	<input checked="" type="checkbox"/> IPX0 <input type="checkbox"/> IP__
Power Systems .....	<input type="checkbox"/> TN <input type="checkbox"/> TT <input type="checkbox"/> IT - ___ V L-L; <input type="checkbox"/> dc mains <input checked="" type="checkbox"/> N/A
Altitude during operation (m) .....	<input checked="" type="checkbox"/> 2000 m or less <input type="checkbox"/> ___ m
Altitude of test laboratory (m) .....	<input checked="" type="checkbox"/> 2000 m or less <input type="checkbox"/> ___ m
Mass of equipment (kg) .....	<input checked="" type="checkbox"/> Max. 0.0631 kg

<b>Possible test case verdicts:</b>	
- test case does not apply to the test object .....: N/A	
- test object does meet the requirement .....: P (Pass)	
- test object does not meet the requirement .....: F (Fail)	
<b>Testing</b> .....	
Date of receipt of test item.....: N/A	
Date (s) of performance of tests .....: N/A	
<b>General remarks:</b>	
<p>"(See Enclosure #)" refers to additional information appended to the report.          "(See appended table)" refers to a table appended to the report.</p> <p>Throughout this report a <input type="checkbox"/> comma / <input checked="" type="checkbox"/> point is used as the decimal separator.</p>	
<b>Manufacturer's Declaration per sub-clause 4.2.5 of IEC62368-1:</b>	
The application for obtaining a CB Test Certificate includes more than one factory location and a declaration from the Manufacturer stating that the sample(s) submitted for evaluation is (are) representative of the products from each factory has been provided.....:	<input type="checkbox"/> Yes <input checked="" type="checkbox"/> Not applicable
<b>When differences exist; they shall be identified in the General product information section.</b>	
<b>Name and address of factory (ies)</b> .....:	APACER TECHNOLOGY INC. 1F 32 Zhongcheng Rd Tucheng District New Taipei, 236 TAIWAN

**General product information and other remarks:****Product Description –**

- The equipment is a SSD intended to be incorporated by end audio/video, information and communication technology equipment.
- Licenses for critical components to be furnished by applicant upon request.
- The product is considered to be a Class III supplied by ES1.
- The product is Movable/Transportable equipment, supplied by PS2 power source.
- The product was submitted and evaluated for use at the maximum ambient temperature (T<sub>ma</sub>) permitted by the manufacturer's specification of: 85 °C
- The following are available from the Applicant upon request: Installation (Safety) Instructions / Manual.
- The power supply from USB to SATA cable used with the product, the suitability of use has been evaluated in this report; when used Built-in, end product Fire enclosures are required.
- Classification of use by:
  - Ordinary person (for movable/transportable unit)
  - Children likely to be present (for movable/transportable unit)

**Report Summary –****This test report shall be read in conjunction with the original report, number:**

- 1812061-CB issue date 2019-03-07, With CB Certificate No. (DK-81594-UL) issued on 2019-03-18.
- WL-ITAV-22J0401-A1 issue date 2022-11-15, With CB Certificate No. (DK-81594-M1-UL) issued on 2022-11-16.

**This report has been amended (technical modification), due to:**

1. Change model name from "SX240-25 (X= A~Z)" to "SX24X-25 (X= A~Z, 0~9)" for marketing purpose and no safety consideration.
2. Update National Differences.
3. Update Information of "General product information and other remarks", "Summary of compliance with National Differences".

**Model Differences –**

- All models are identical except for model designation and no safety consideration.

**Additional application considerations – (Considerations used to test a component or sub-assembly) –**

- N/A

<b>ENERGY SOURCE IDENTIFICATION AND CLASSIFICATION TABLE:</b>	
(Note 1: Identify the following six (6) energy source forms based on the origin of the energy.) (Note 2: The identified classification e.g., ES2, TS1, should be with respect to its ability to cause pain or injury on the body or its ability to ignite a combustible material. Any energy source can be declared Class 3 as a worse case classification e.g. PS3, ES3.)	
<b>Electrically-caused injury (Clause 5):</b> (Note: Identify type of source, list sub-assembly or circuit designation and corresponding energy source classification) Example: +5 V dc input	
	ES1
Source of electrical energy	Corresponding classification (ES)
All circuits	ES1
<b>Electrically-caused fire (Clause 6):</b> (Note: List sub-assembly or circuit designation and corresponding energy source classification) Example: Battery pack (maximum 85 watts):	
	PS2
Source of power or PIS	Corresponding classification (PS)
All Circuits for Movable/transportable except for building-in	PS2
All Circuits for building-in	PS3
<b>Injury caused by hazardous substances (Clause 7)</b> (Note: Specify hazardous chemicals, whether produces ozone or other chemical construction not addressed as part of the component evaluation.) Example: Liquid in filled component	
	Glycol
Source of hazardous substances	Corresponding chemical
N/A	N/A
<b>Mechanically-caused injury (Clause 8)</b> (Note: List moving part(s), fan, special installations, etc. & corresponding MS classification based on Table 35.) Example: Wall mount unit	
	MS2
Source of kinetic/mechanical energy	Corresponding classification (MS)
Equipment mass less than 7 kg.	MS1
Edge and corners in accessible areas.	MS1
<b>Thermal burn injury (Clause 9)</b> (Note: Identify the surface or support, and corresponding energy source classification based on type of part, location, operating temperature and contact time in Table 38.) Example: Hand-held scanner – thermoplastic enclosure	
	TS1
Source of thermal energy	Corresponding classification (TS)
External Accessible Part (Enclosure) and Internal Parts	TS1
<b>Radiation (Clause 10)</b> (Note: List the types of radiation present in the product and the corresponding energy source classification.) Example: DVD – Class 1 Laser Product	
	RS1
Type of radiation	Corresponding classification (RS)
N/A	N/A

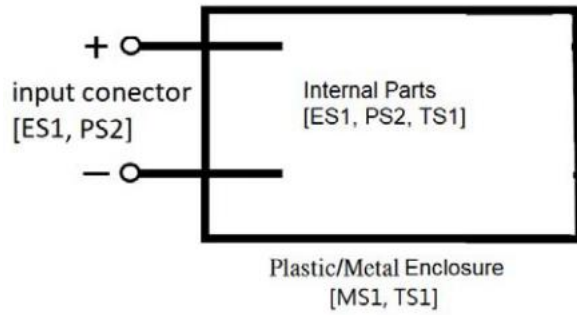
**ENERGY SOURCE DIAGRAM**

Indicate which energy sources are included in the energy source diagram. Insert diagram below

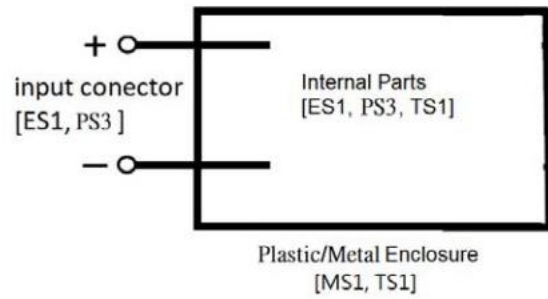
See **ENERGY SOURCE IDENTIFICATION AND CLASSIFICATION TABLE** for details

ES     PS     MS     TS     RS

For Movable/transportable



For building-in



<b>OVERVIEW OF EMPLOYED SAFEGUARDS</b>				
<b>Clause</b>	<b>Possible Hazard</b>			
5.1	Electrically-caused injury			
Body Part (e.g. Ordinary)	Energy Source (ES3: Primary Filter circuit)	Safeguards		
		Basic	Supplementary	Reinforced (Enclosure)
N/A	N/A	N/A	N/A	N/A
6.1	Electrically-caused fire			
Material part (e.g. mouse enclosure)	Energy Source (PS2: 100 Watt circuit)	Safeguards		
		Basic	Supplementary	Reinforced
Enclosure	PS2 (Movable/transportable except for building-in)	(See sub- clause 6.3)	HB or better & metal	N/A
Enclosure	PS3 (for building-in)	--	N/A	The accessibilit y for Ordinary person shall be evaluated in the end product
PCB	PS2 or PS3	See 6.3	V-1 or better	N/A
Other components/materials	PS2 or PS3	See 6.3	See 6.4.5, 6.4.6	N/A
7.1	Injury caused by hazardous substances			
Body Part (e.g., skilled)	Energy Source (hazardous material)	Safeguards		
		Basic	Supplementary	Reinforced
N/A	N/A	N/A	N/A	N/A
8.1	Mechanically-caused injury			
Body Part (e.g. Ordinary)	Energy Source (MS3:High Pressure Lamp)	Safeguards		
		Basic	Supplementary	Reinforced (Enclosure)
N/A	N/A	N/A	N/A	N/A
9.1	Thermal Burn			
Body Part (e.g., Ordinary)	Energy Source (TS2)	Safeguards		
		Basic	Supplementary	Reinforced
N/A	N/A	N/A	N/A	N/A
10.1	Radiation			
Body Part (e.g., Ordinary)	Energy Source (Output from audio port)	Safeguards		
		Basic	Supplementary	Reinforced
N/A	N/A	N/A	N/A	N/A

Supplementary Information:

- (1) See attached energy source diagram for additional details.
- (2) "N" – Normal Condition; "A" – Abnormal Condition; "S" Single Fault

IEC62368_1D - ATTACHMENT							
Clause	Requirement + Test		Result - Remark	Verdict			
<b>ATTACHMENT TO TEST REPORT</b>							
<b>IEC 62368-1</b>							
<b>EUROPEAN GROUP DIFFERENCES AND NATIONAL DIFFERENCES</b>							
<b>(Audio/video, information and communication technology equipment - Part 1: Safety requirements)</b>							
<b>Differences according to</b> .....		EN 62368-1:2014+A11:2017					
<b>Attachment Form No.</b> .....		EU_GD_IEC62368_1D_II					
<b>Attachment Originator</b> .....		Nemko AS					
<b>Master Attachment</b> .....		Date 2021-02-04					
<b>Copyright © 2021 IEC System for Conformity Testing and Certification of Electrical Equipment (IECEE), Geneva, Switzerland. All rights reserved.</b>							
	<b>CENELEC COMMON MODIFICATIONS (EN)</b>			P			
	Clauses, subclauses, notes, tables, figures and annexes which are additional to those in IEC 62368-1:2014 are prefixed "Z".			P			
CONTENTS	<b>Add</b> the following annexes: Annex ZA (normative)                      Normative references to international publications with their corresponding European publications Annex ZB (normative)                      Special national conditions Annex ZC (informative)                    A-deviations Annex ZD (informative)                    IEC and CENELEC code designations for flexible cords			P			
	<b>Delete</b> all the "country" notes in the reference document (IEC 62368-1:2014) according to the following list:			P			
	0.2.1	Note	1	Note 3	4.1.15	Note	
	4.7.3	Note 1 and 2	5.2.2.2	Note	5.4.2.3.2.2 Table 13	Note c	
	5.4.2.3.2.4	Note 1 and 3	5.4.2.5	Note 2	5.4.5.1	Note	
	5.5.2.1	Note	5.5.6	Note	5.6.4.2.1	Note 2 and 3	
	5.7.5	Note	5.7.6.1	Note 1 and 2	10.2.1 Table 39	Note 2, 3 and 4	
	10.5.3	Note 2	10.6.2.1	Note 3	F.3.3.6	Note 3	
	For special national conditions, see Annex ZB.						P
1	<b>Add</b> the following note: NOTE Z1 The use of certain substances in electrical and electronic equipment is restricted within the EU: see Directive 2011/65/EU.						P

IEC62368_1D - ATTACHMENT			
Clause	Requirement + Test	Result - Remark	Verdict
4.Z1	<p><b>Add</b> the following new subclause after 4.9:</p> <p>To protect against excessive current, short-circuits and earth faults in circuits connected to an a.c. <b>mains</b>, protective devices shall be included either as integral parts of the equipment or as parts of the building installation, subject to the following, a), b) and c):</p> <p>a) except as detailed in b) and c), protective devices necessary to comply with the requirements of B.3.1 and B.4 shall be included as parts of the equipment;</p> <p>b) for components in series with the mains input to the equipment such as the supply cord, appliance coupler, r.f.i. filter and switch, short-circuit and earth fault protection may be provided by protective devices in the building installation;</p> <p>c) it is permitted for <b>pluggable equipment type B</b> or <b>permanently connected equipment</b>, to rely on dedicated overcurrent and short-circuit protection in the building installation, provided that the means of protection, e.g. fuses or circuit breakers, is fully specified in the installation instructions.</p> <p>If reliance is placed on protection in the building installation, the installation instructions shall so state, except that for <b>pluggable equipment type A</b> the building installation shall be regarded as providing protection in accordance with the rating of the wall socket outlet.</p>	EUT for building-in type	N/A
5.4.2.3.2.4	<p><b>Add</b> the following to the end of this subclause:</p> <p>The requirement for interconnection with <b>external circuit</b> is in addition given in EN 50491-3:2009.</p>		N/A
10.2.1	<p>Add the following to <sup>c)</sup> and <sup>d)</sup> in table 39:</p> <p>For additional requirements, see 10.5.1.</p>		N/A

IEC62368_1D - ATTACHMENT			
Clause	Requirement + Test	Result - Remark	Verdict
10.5.1	<p><b>Add</b> the following after the first paragraph:  <i>For RS 1 compliance is checked by measurement under the following conditions:</i></p> <p><i>In addition to the normal operating conditions, all controls adjustable from the outside by hand, by any object such as a tool or a coin, and those internal adjustments or presets which are not locked in a reliable manner, are adjusted so as to give maximum radiation whilst maintaining an intelligible picture for 1 h, at the end of which the measurement is made.</i></p> <p>NOTE Z1 Soldered joints and paint lockings are examples of adequate locking.</p> <p><i>The dose-rate is determined by means of a radiation monitor with an effective area of 10 cm<sup>2</sup>, at any point 10 cm from the outer surface of the apparatus.</i></p> <p><i>Moreover, the measurement shall be made under fault conditions causing an increase of the high-voltage, provided an intelligible picture is maintained for 1 h, at the end of which the measurement is made.</i></p> <p><i>For RS1, the dose-rate shall not exceed 1 μSv/h taking account of the background level.</i></p> <p>NOTE Z2 These values appear in Directive 96/29/Euratom of 13 May 1996.</p>		N/A
10.6.1	<p><b>Add</b> the following paragraph to the end of the subclause:  EN 71-1:2011, 4.20 and the related tests methods and measurement distances apply.</p>		N/A
10.Z1	<p><b>Add</b> the following new subclause after 10.6.5.  <b>10.Z1 Non-ionizing radiation from radio frequencies in the range 0 to 300 GHz</b></p> <p>The amount of non-ionizing radiation is regulated by European Council Recommendation 1999/519/EC of 12 July 1999 on the limitation of exposure of the general public to electromagnetic fields (0 Hz to 300 GHz).</p> <p>For intentional radiators, ICNIRP guidelines should be taken into account for Limiting Exposure to Time-Varying Electric, Magnetic, and Electromagnetic Fields (up to 300 GHz). For hand-held and body-mounted devices, attention is drawn to EN 50360 and EN 50566</p>		N/A
G.7.1	<p><b>Add</b> the following note:  NOTE Z1 The harmonized code designations corresponding to the IEC cord types are given in Annex ZD.</p>		N/A

IEC62368_1D - ATTACHMENT			
Clause	Requirement + Test	Result - Remark	Verdict
Bibliography	<p><b>Add</b> the following standards:</p> <p><b>Add</b> the following notes for the standards indicated:</p> <p>IEC 60130-9 NOTE Harmonized as EN 60130-9.</p> <p>IEC 60269-2 NOTE Harmonized as HD 60269-2.</p> <p>IEC 60309-1 NOTE Harmonized as EN 60309-1.</p> <p>IEC 60364 NOTE some parts harmonized in HD 384/HD 60364 series.</p> <p>IEC 60601-2-4 NOTE Harmonized as EN 60601-2-4.</p> <p>IEC 60664-5 NOTE Harmonized as EN 60664-5.</p> <p>IEC 61032:1997 NOTE Harmonized as EN 61032:1998 (not modified).</p> <p>IEC 61508-1 NOTE Harmonized as EN 61508-1.</p> <p>IEC 61558-2-1 NOTE Harmonized as EN 61558-2-1.</p> <p>IEC 61558-2-4 NOTE Harmonized as EN 61558-2-4.</p> <p>IEC 61558-2-6 NOTE Harmonized as EN 61558-2-6.</p> <p>IEC 61643-1 NOTE Harmonized as EN 61643-1.</p> <p>IEC 61643-21 NOTE Harmonized as EN 61643-21.</p> <p>IEC 61643-311 NOTE Harmonized as EN 61643-311.</p> <p>IEC 61643-321 NOTE Harmonized as EN 61643-321.</p> <p>IEC 61643-331 NOTE Harmonized as EN 61643-331.</p>		P
<b>ZB</b>	<b>ANNEX ZB, SPECIAL NATIONAL CONDITIONS (EN)</b>		--
4.1.15	<p><b>Denmark, Finland, Norway and Sweden</b></p> <p>To the end of the subclause the following is added:</p> <p><b>Class I pluggable equipment type A</b> intended for connection to other equipment or a network shall, if safety relies on connection to reliable earthing or if surge suppressors are connected between the network terminals and <b>accessible</b> parts, have a marking stating that the equipment shall be connected to an earthed <b>mains</b> socket-outlet.</p> <p>The marking text in the applicable countries shall be as follows:</p> <p>In <b>Denmark</b>: "Apparatets stikprop skal tilsluttes en stikkontakt med jord som giver forbindelse til stikproppens jord."</p> <p>In <b>Finland</b>: "Laite on liitettävä suojakoskettimilla varustettuun pistorasiaan"</p> <p>In <b>Norway</b>: "Apparatet må tilkoples jordet stikkontakt"</p> <p>In <b>Sweden</b>: "Apparaten skall anslutas till jordat uttag"</p>		N/A
4.7.3	<p><b>United Kingdom</b></p> <p>To the end of the subclause the following is added:</p> <p>The torque test is performed using a socket-outlet complying with BS 1363, and the plug part shall be assessed to the relevant clauses of BS 1363. Also see Annex G.4.2 of this annex</p>		N/A

IEC62368_1D - ATTACHMENT			
Clause	Requirement + Test	Result - Remark	Verdict
5.2.2.2	<p><b>Denmark</b></p> <p>After the 2nd paragraph add the following: A warning (marking <b>safeguard</b>) for high <b>touch current</b> is required if the <b>touch current</b> exceeds the limits of 3,5 mA a.c. or 10 mA d.c.</p>		N/A
5.4.11.1 and Annex G	<p><b>Finland and Sweden</b></p> <p>To the end of the subclause the following is added: For separation of the telecommunication network from earth the following is applicable: If this insulation is solid, including insulation forming part of a component, it shall at least consist of either</p> <ul style="list-style-type: none"> <li>• two layers of thin sheet material, each of which shall pass the electric strength test below, or</li> <li>• one layer having a distance through insulation of at least 0,4 mm, which shall pass the electric strength test below.</li> </ul> <p>If this insulation forms part of a semiconductor component (e.g. an optocoupler), there is no distance through insulation requirement for the insulation consisting of an insulating compound completely filling the casing, so that clearances and creepage distances do not exist, if the component passes the electric strength test in accordance with the compliance clause below and in addition</p> <ul style="list-style-type: none"> <li>• passes the tests and inspection criteria of 5.4.8 with an electric strength test of 1,5 kV multiplied by 1,6 (the electric strength test of 5.4.9 shall be performed using 1,5 kV), and</li> <li>• is subject to routine testing for electric strength during manufacturing, using a test voltage of 1,5kV.</li> </ul> <p>It is permitted to bridge this insulation with a capacitor complying with EN 60384-14:2005, subclass Y2.</p> <p>A capacitor classified Y3 according to EN 60384-14:2005, may bridge this insulation under the following conditions:</p> <ul style="list-style-type: none"> <li>• the insulation requirements are satisfied by having a capacitor classified Y3 as defined by EN 60384-14, which in addition to the Y3 testing, is tested with an impulse test of 2,5 kV defined in 5.4.11;</li> <li>• the additional testing shall be performed on all the test specimens as described in EN 60384-14;</li> </ul> <p>the impulse test of 2,5 kV is to be performed before the endurance test in EN 60384-14, in the sequence of tests as described in EN 60384-14.</p>		N/A

IEC62368_1D - ATTACHMENT			
Clause	Requirement + Test	Result - Remark	Verdict
5.5.2.1	<p><b>Norway</b></p> <p>After the 3rd paragraph the following is added: Due to the IT power system used, capacitors are required to be rated for the applicable line-to-line voltage (230 V).</p>		N/A
5.5.6	<p><b>Finland, Norway and Sweden</b></p> <p>To the end of the subclause the following is added: Resistors used as <b>basic safeguard</b> or bridging <b>basic insulation in class I pluggable equipment type A</b> shall comply with G.10.1 and the test of G.10.2.</p>		N/A
5.6.1	<p><b>Denmark</b></p> <p><b>Add</b> to the end of the subclause</p> <p>Due to many existing installations where the socket-outlets can be protected with fuses with higher rating than the rating of the socket-outlets the protection for pluggable equipment type A shall be an integral part of the equipment.</p> <p><i>Justification:</i> In Denmark an existing 13 A socket outlet can be protected by a 20 A fuse.</p>		N/A
5.6.4.2.1	<p><b>Ireland and United Kingdom</b></p> <p>After the indent for <b>pluggable equipment type A</b>, the following is added: – the <b>protective current rating</b> is taken to be 13 A, this being the largest rating of fuse used in the <b>mains</b> plug.</p>		N/A
5.6.5.1	<p>To the second paragraph the following is added: The range of conductor sizes of flexible cords to be accepted by terminals for equipment with a rated current over 10 A and up to and including 13 A is: 1,25 mm<sup>2</sup> to 1,5 mm<sup>2</sup> in cross-sectional area.</p>		N/A
5.7.5	<p><b>Denmark</b></p> <p>To the end of the subclause the following is added: The installation instruction shall be affixed to the equipment if the <b>protective conductor current</b> exceeds the limits of 3,5 mA a.c. or 10 mA d.c.</p>		N/A

IEC62368_1D - ATTACHMENT			
Clause	Requirement + Test	Result - Remark	Verdict
5.7.6.1	<p><b>Norway and Sweden</b></p> <p>To the end of the subclause the following is added: The screen of the television distribution system is normally not earthed at the entrance of the building and there is normally no equipotential bonding system within the building. Therefore the protective earthing of the building installation needs to be isolated from the screen of a cable distribution system.</p> <p>It is however accepted to provide the insulation external to the equipment by an adapter or an interconnection cable with galvanic isolator, which may be provided by a retailer, for example.</p> <p>The user manual shall then have the following or similar information in Norwegian and Swedish language respectively, depending on in what country the equipment is intended to be used in: “Apparatus connected to the protective earthing of the building installation through the mains connection or through other apparatus with a connection to protective earthing – and to a television distribution system using coaxial cable, may in some circumstances create a fire hazard. Connection to a television distribution system therefore has to be provided through a device providing electrical isolation below a certain frequency range (galvanic isolator, see EN 60728-11)”</p> <p>NOTE In Norway, due to regulation for CATV-installations, and in Sweden, a galvanic isolator shall provide electrical insulation below 5 MHz. The insulation shall withstand a dielectric strength of 1,5 kV r.m.s., 50 Hz or 60 Hz, for 1 min.</p> <p>Translation to Norwegian (the Swedish text will also be accepted in Norway): “Apparater som er koplet til beskyttelsesjord via nettplugg og/eller via annet jordtilkøp utstyr – og er tilkøp et koaksialbasert kabel-TV nett, kan forårsake brannfare. For å unngå dette skal det ved tilkøp av apparater til kabel-TV nett installeres en galvanisk isolator mellom apparatet og kabel-TV nettet.”</p> <p>Translation to Swedish: ”Apparater som är kopplad till skyddsjord via jordat vägguttag och/eller via annan utrustning och samtidigt är kopplad till kabel-TV nät kan i vissa fall medföra risk för brand. För att undvika detta skall vid anslutning av apparaten till kabel-TV nät galvanisk isolator finnas mellan apparaten och kabel-TV nätet.”.</p>		N/A
5.7.6.2	<p><b>Denmark</b></p> <p>To the end of the subclause the following is added: The warning (marking safeguard) for high touch current is required if the touch current or the protective current exceed the limits of 3,5 mA .</p>		N/A

IEC62368_1D - ATTACHMENT			
Clause	Requirement + Test	Result - Remark	Verdict
B.3.1 and B.4	<p><b>Ireland and United Kingdom</b></p> <p>The following is applicable:</p> <p>To protect against excessive currents and short-circuits in the primary circuit of <b>direct plug-in equipment</b>, tests according to Annexes B.3.1 and B.4 shall be conducted using an external miniature circuit breaker complying with EN 60898-1, Type B, rated 32A. If the equipment does not pass these tests, suitable protective devices shall be included as an integral part of the <b>direct plug-in equipment</b>, until the requirements of Annexes B.3.1 and B.4 are met</p>		N/A
G.4.2	<p><b>Denmark</b></p> <p>To the end of the subclause the following is added:</p> <p>Supply cords of single phase appliances having a rated current not exceeding 13 A shall be provided with a plug according to DS 60884-2-D1:2011.</p> <p>CLASS I EQUIPMENT provided with socket-outlets with earth contacts or which are intended to be used in locations where protection against indirect contact is required according to the wiring rules shall be provided with a plug in accordance with standard sheet DK 2-1a or DK 2-5a.</p> <p>If a single-phase equipment having a RATED CURRENT exceeding 13 A or if a poly-phase equipment is provided with a supply cord with a plug, this plug shall be in accordance with the standard sheets DK 6-1a in DS 60884-2-D1 or EN 60309-2.</p> <p>Mains socket outlets intended for providing power to Class II apparatus with a rated current of 2,5 A shall be in accordance DS 60884-2-D1:2011 standard sheet DKA 1-4a.</p> <p>Other current rating socket outlets shall be in compliance with Standard Sheet DKA 1-3a or DKA 1-1c.</p> <p>Mains socket-outlets with earth shall be in compliance with DS 60884-2-D1:2011 Standard Sheet DK 1-3a, DK 1-1c, DK1-1d, DK 1-5a or DK 1-7a</p> <p><i>Justification:</i> Heavy Current Regulations, Section 6c</p>		N/A
G.4.2	<p><b>United Kingdom</b></p> <p>To the end of the subclause the following is added:</p> <p>The plug part of direct plug-in equipment shall be assessed to BS 1363: Part 1, 12.1, 12.2, 12.3, 12.9, 12.11, 12.12, 12.13, 12.16, and 12.17, except that the test of 12.17 is performed at not less than 125 °C. Where the metal earth pin is replaced by an Insulated Shutter Opening Device (ISOD), the requirements of clauses 22.2 and 23 also apply.</p>		N/A

IEC62368_1D - ATTACHMENT			
Clause	Requirement + Test	Result - Remark	Verdict
G.7.1	<p><b>United Kingdom</b></p> <p>To the first paragraph the following is added: Equipment which is fitted with a flexible cable or cord and is designed to be connected to a mains socket conforming to BS 1363 by means of that flexible cable or cord shall be fitted with a 'standard plug' in accordance with the Plugs and Sockets etc (Safety) Regulations 1994, Statutory Instrument 1994 No. 1768, unless exempted by those regulations.</p> <p>NOTE "Standard plug" is defined in SI 1768:1994 and essentially means an approved plug conforming to BS 1363 or an approved conversion plug.</p>		N/A
G.7.1	<p><b>Ireland</b></p> <p>To the first paragraph the following is added: Apparatus which is fitted with a flexible cable or cord shall be provided with a plug in accordance with Statutory Instrument 525: 1997, "13 A Plugs and Conversion Adapters for Domestic Use Regulations: 1997. S.I. 525 provides for the recognition of a standard of another Member State which is equivalent to the relevant Irish Standard</p>		N/A
G.7.2	<p><b>Ireland and United Kingdom</b></p> <p>To the first paragraph the following is added: A power supply cord with a conductor of 1,25 mm<sup>2</sup> is allowed for equipment which is rated over 10 A and up to and including 13 A.</p>		N/A
ZC	<b>ANNEX ZC, NATIONAL DEVIATIONS (EN)</b>		--
10.5.2	<p><b>Germany</b></p> <p>The following requirement applies: For the operation of any cathode ray tube intended for the display of visual images operating at an acceleration voltage exceeding 40 kV, authorization is required, or application of type approval (Bauartzulassung) and marking.</p> <p><i>Justification:</i> German ministerial decree against ionizing radiation (Röntgenverordnung), in force since 2002-07-01, implementing the European Directive 96/29/EURATOM.</p> <p><b>NOTE</b> Contact address: Physikalisch-Technische Bundesanstalt, Bundesallee 100, D-38116 Braunschweig, Tel.: Int +49-531-592-6320, Internet: <a href="http://www.ptb.de">http://www.ptb.de</a></p>		N/A

IEC62368_1D ATTACHMENT			
Clause	Requirement + Test	Result - Remark	Verdict
<b>ATTACHMENT TO TEST REPORT</b>			
<b>IEC 62368-1</b>			
<b>U.S.A. AND CANADA NATIONAL DIFFERENCES</b>			
<b>(Audio/video, information and communication technology equipment – Part 1: Safety requirements)</b>			
<b>Differences according to .....</b>		CSA/UL 62368-1:2014	
<b>TRF template used: .....</b>		IECEE OD-2020-F3, Ed. 1.1	
<b>Attachment Form No. ....</b>		US_CA_ND_IEC62368_1D	
<b>Attachment Originator.....</b>		UL(US)	
<b>Master Attachment .....</b>		Dated 2021-02-04	
<b>Copyright © 2021 IEC System for Conformity Testing and Certification of Electrical Equipment (IECEE), Geneva, Switzerland. All rights reserved.</b>			

<b>IEC 62368-1 - US and Canada National Differences</b>			
<b>Special National Conditions based on Regulations and Other National Differences</b>			
1.1	All equipment is to be designed to allow installation according to the National Electrical Code (NEC), ANSI/NFPA 70, the Canadian Electrical Code (CEC), Part I, CAN/CSA C22.1, and when applicable, the National Electrical Safety Code, IEEE C2. Also, for such equipment marked or otherwise identified, installation is allowed per the Standard for the Protection of Information Technology Equipment, ANSI/NFPA 75.		P
1.4	Additional requirements apply to some forms of power distribution equipment, including sub-assemblies.		P
4.1.17	For lengths exceeding 3.05 m, external interconnecting flexible cord and cable assemblies are required to be a suitable cable type (e.g., DP, CL2) specified in the NEC.		N/A
	For lengths 3.05 m or less, external interconnecting flexible cord and cable assemblies that are not types specified in the NEC generally are required to have special construction features and identification markings.		P
4.8	Lithium coin / button cell batteries have modified special construction and performance requirements.		N/A

IEC62368_1D ATTACHMENT			
Clause	Requirement + Test	Result - Remark	Verdict
5.6.3	Protective earthing conductors comply with the minimum conductor sizes in Table G.5, except as required by Table G.7ADV.1 for cord connected equipment, or Annex DVH for permanently connected equipment		N/A
5.7.7	Equipment intended to receive telecommunication ringing signals complies with a special touch current measurement tests.		N/A
6.5.1	PS3 wiring outside a fire enclosure complies with single fault testing in B.4, or be current limited per one of the permitted methods.		N/A
Annex F (F.3.3.8)	Output terminals provided for supply of other equipment, except mains, supply are marked with a maximum rating or references to which equipment it is permitted to be connected.		N/A
Annex G (G.7.1)	Permanent connection of equipment to the mains supply by a power supply cord is not permitted, except for certain equipment, such as ATMs.		N/A
Annex G (G.7.3)	Power supply cords are required to have attachment plugs rated not less than 125 percent of the rated current of the equipment.		N/A
	Flexible power supply cords are required to be compatible with Article 400 of the NEC, and Tables 11 and 12 of the CEC.		N/A
Annex G (G.7.5)	Minimum cord length is required to be 1.5 m, with certain constructions such as external power supplies allowed to consider both input and output cord lengths into the requirement. Power supply cords are required to be no longer than 4.5 m in length if used in ITE Rooms.		N/A
Annex H.2	Continuous ringing signals under normal operating conditions up to 16 mA only are permitted if the equipment is subjected to special installation and performance restrictions.		N/A
Annex H.4	For circuits with other than ringing signals and with voltages exceeding 42.4 V <sub>peak</sub> or 60 V d.c., the maximum acceptable current through a 2000 ohm resistor (or greater) connected across the voltage source with other loads disconnected is 7.1 mA peak or 30 mA d.c. under normal operating conditions.		N/A

IEC62368_1D ATTACHMENT			
Clause	Requirement + Test	Result - Remark	Verdict
Annex M	Battery packs for stationary applications comply with special component requirements.		N/A
Annex DVA (1)	Equipment intended for use in spaces used for environmental air are subjected to special flammability requirements for heat and visible smoke release.		N/A
	For ITE room applications, automated information storage systems with combustible media greater than 0.76 m <sup>3</sup> (27 cu ft) have a provision for connection of either automatic sprinklers or a gaseous agent extinguishing system with an extended discharge.		N/A
	Consumer products designed or intended primarily for children 12 years of age or younger are subject to additional requirements in accordance with U.S. & Canadian Regulations.		N/A
	Baby monitors additionally comply with ASTM F2951, Consumer Safety Specification for Baby Monitors.		N/A
Annex DVA (5.6.3)	For Pluggable Equipment Type A, the protection in the installation is assumed to be 20A.		N/A
Annex DVA (6.3)	The maximum quantity of flammable liquid stored in equipment complies with NFPA 30.		N/A
Annex DVA (6.4.8)	For ITE room applications, enclosures with combustible material measuring greater than 0.9 m <sup>2</sup> (10 sq ft) or a single dimension greater than 1.8 m (6 ft) have a flame spread rating of 50 or less. For equipment with the same dimensions for other applications, an external surface that is not a fire enclosure requires a min. flammability classification of V-1.		N/A
Annex DVA (10.3.1)	Equipment with lasers meets the U.S. Code of Federal Regulations 21 CFR 1040 (and the Canadian Radiation Emitting Devices Act, REDR C1370).		N/A
Annex DVA (10.5.1)	Equipment that produces ionizing radiation complies with the U.S. Code of Federal Regulations, 21 CFR 1020 (and the Canadian Radiation Emitting Devices Act, REDR C1370).		N/A

IEC62368_1D ATTACHMENT			
Clause	Requirement + Test	Result - Remark	Verdict
Annex DVA (F.3.3.3)	Equipment for use on a.c. mains supply systems with a neutral and more than one phase conductor (e.g. 120/240 V, 3-wire) require a special marking format for electrical ratings. Additional considerations apply for voltage ratings that exceed the attachment cap rating or are lower than the "Normal Operating Condition" in Table 2 of CAN/CSA C22.2 No. 235."		N/A
Annex DVA (F.3.3.5)	Equipment identified for ITE (computer) room installation is marked with the rated current		N/A
Annex DVA (G.1)	Vertically-mounted disconnect switches and circuit breakers have the "on" position indicated by the handle in the up position		N/A
Annex DVA (G.3.4)	Suitable NEC/CEC branch circuit protection rated at the maximum circuit rating is required for all standard supply outlets and receptacles (such as supplied in power distribution units) if the supply branch circuit protection is not suitable.		N/A
Annex DVA (G.4.2)	Equipment with isolated ground (earthing) receptacles complies with NEC 250.146(D) and CEC 10-112 and 10-906(8).		N/A
Annex DVA (G.4.3)	Where a fuse is used to provide Class 2 or Class 3 current limiting, it is not operator-accessible unless it is non- interchangeable.		N/A
Annex DVA (G.5.3)	Power distribution transformers distributing power at 100 volts or more, and rated 10 kVA or more, require special transformer overcurrent protection.		N/A
Annex DVA (G.5.4)	Motor control devices are required for cord-connected equipment with a mains-connected motor if the equipment is rated more than 12 A, or if the equipment has a nominal voltage rating greater than 120 V, or if the motor is rated more than 1/3 hp (locked rotor current over 43 A).		N/A
Annex DVA (Annex M)	For ITE room applications, equipment with battery systems capable of supplying 750 VA for five minutes have a battery disconnect means that may be connected to the ITE room remote power-off circuit.		N/A

IEC62368_1D ATTACHMENT			
Clause	Requirement + Test	Result - Remark	Verdict
Annex DVA (Q)	Wiring terminals intended to supply Class 2 outputs according to the NEC or CEC Part 1 are marked with the voltage rating and "Class 2" or equivalent; marking is located adjacent to the terminals and visible during wiring.		N/A
Annex DVB (1)	Additional requirements apply for equipment used for entertainment purposes intended for installation in general patient care areas of health care facilities.		N/A
Annex DVC (1)	Additional requirements apply for equipment intended for mounting under kitchen cabinets.		N/A
Annex DVE (4.1.1)	Some equipment, components, sub-assemblies and materials associated with the risk of fire, electric shock, or personal injury have component or material ratings in accordance with the applicable national (U.S. and Canadian) component or material requirements. Components required to comply include: appliance couplers, attachment plugs, battery back-up systems, battery packs, circuit breakers, communication circuit accessories, connectors (used for current interruption of non-LPS circuits), power supply cords, direct plug-in equipment, electrochemical capacitor modules (energy storage modules with ultra-capacitors), enclosures (outdoor), flexible cords and cables, fuses (branch circuit), ground-fault current interrupters, interconnecting cables, data storage equipment, printed wiring, protectors for communications circuits, receptacles, surge protective devices, vehicle battery adapters, wire connectors, and wire and cables.		P
Annex DVH	Equipment for permanent connection to the mains supply is subjected to additional requirements.		N/A
Annex DVH (DVH.1)	Wiring methods (terminals, leads, etc.) used for the connection of the equipment to the mains are in accordance with the NEC/CEC.		N/A
Annex DVH (DVH.3.2)	Terminals for permanent wiring, including protective earthing terminals, are suitable for U.S./Canadian wire gauge sizes, rated 125 percent of the equipment rating, and are specially marked when specified.		N/A

IEC62368_1D ATTACHMENT			
Clause	Requirement + Test	Result - Remark	Verdict
Annex DVH (DVH.3.2)	Wire binding screws are not permitted to attach conductors larger than 10 AWG (5.3 mm <sup>2</sup> ).		N/A
Annex DVH (DVH.4)	Permanently connected equipment is required to have a suitable wiring compartment and wire bending space.		N/A
Annex DVH (DVH 5.5)	Equipment connected to a centralized d.c. power system, and having one pole of the DC mains input terminal connected to the main protective earthing terminal in the equipment, complies with special earthing, wiring, marking and installation instruction requirements.		N/A
Annex DVI (6.7 )	Equipment intended for connection to telecommunication network outside plant cable is required to be protected against overvoltage from power line crosses.		N/A
Annex DVJ (10.6.1 )	Equipment connected to a telecommunication and cable distribution networks and supplied with an earphone intended to be held against, or in the ear is required to comply with special acoustic pressure requirements.		N/A

IEC 62368-1 ATTACHMENT			
Clause	Requirement + Test	Result - Remark	Verdict

<b>ATTACHMENT TO TEST REPORT</b> <b>IEC 62368-1</b> <b>(JAPAN) NATIONAL DIFFERENCES</b> <b>(Audio/video, information and communication technology equipment – Part 1: Safety requirements)</b>
---

Differences according to ..... : J62368-1 (2020)

TRF template used: ..... : IECEE OD-2020-F3, Ed. 1.1

Attachment Form No. .... : JP\_ND\_IEC62368\_1D

Attachment Originator ..... : UL (JP)

Master Attachment ..... : Date 2021-02-04

**Copyright © 2021 IEC System for Conformity Testing and Certification of Electrical Equipment (IECEE), Geneva, Switzerland. All rights reserved.**

National Differences			—
4.1.2	Where the component, or a characteristic of a component, is a safeguard or a part of a safeguard, components shall comply with the requirements of this standard or, where specified in a requirements clause, with the safety aspects of the relevant JIS component standards or IEC component standards, or components shall have properties equivalent to or better than these.		P
5.6.1	Mains socket-outlet and appliance outlet shall comply with Clause G.4.2A if they are incorporated as part of the equipment.		N/A
5.6.2.1	Mains connection of class 0I equipment: Instructional safeguard in accordance with Clause F.3.6.1A; Mains plug having a lead wire for protective earthing connection of class 0I equipment; Independent main protective earthing terminal installed by ordinary person.		N/A
5.6.2.2	This requirement does not apply to internal conductor of the cord set that is covered by the sheath of mains cord and is formed together with mains plug and appliance connector.		N/A

IEC 62368-1 ATTACHMENT			
Clause	Requirement + Test	Result - Remark	Verdict
5.6.3	In case of class 0I equipment using power supply cord having two conductors (no earthing conductor), the conductor of protective earthing lead wire shall comply with either of the following: – use of annealed copper wire with 1.6 mm diameter or corrosion-inhibiting metal wire having size and strength that are equivalent to or more than the above copper wire – single core cord or single core cab tire cable with 1.25 mm <sup>2</sup> or more cross-sectional area		N/A
5.7.3	For class 0I equipment that is provided with mains socket-outlet in the configuration as specified in JIS C 8282 series or JIS C 8303, or otherwise being considered to comply with relevant regulations, or that is provided with mains appliance outlet as specified in JIS C 8283-2-2 for the purpose of interconnection, the measurement is conducted on the system of the interconnected equipment having a single connection to the mains.		N/A
5.7.4	In case of class 0I equipment, touch current shall not exceed 1.41 mA peak or for sinusoidal wave, 1.0 mA r.m.s. when measured using the network specified in Figure 4 of IEC 60990.		N/A
6.4.3.3	A fuse complying with JIS C 6575 series or a fuse having equivalent characteristics shall open within 1 s. For Class A fuse of JIS C 6575, replace “2.1 times” by “1.35 times” and in case of Class B fuse of JIS C 6575, replace “2.1 times” by “1.6 times”. A fuse not complying with JIS C 6575 series shall be tested with the breaking capacity taken into account.		N/A
8.5.4.2.1	Only three-phase stationary equipment rated more than 200 V ac can be considered as being for use in locations where children are not likely to be present, when complying with Clause F.4.		N/A
8.5.4.2.2	For equipment installed where children may be present, an instructional safeguard shall be provided by easily understandable wording in accordance with Clause F.5, except that element 3 is optional.		N/A

IEC 62368-1 ATTACHMENT			
Clause	Requirement + Test	Result - Remark	Verdict
8.5.4.2.4	The media destruction device is tested according to Clause V.1.2 with applicable jointed test probes to the opening. And then the wedge probe per Figure V.4 shall not contact any moving part.		N/A
8.5.4.2.5	The wedge probe of Figure V.4 and applicable jointed test probes specified in Clause V.1.2 shall not contact any moving part. Instructional safeguard shall not be used instead of equipment safeguard for preventing access to hazardous moving parts.		N/A
9.2.6, Table 38	Handles, Knobs, grips, etc. and external surfaces either held, touched or worn against the body in normal use (> 1 min) <sup>b,c</sup>		N/A
F.3.5.1	Instructional safeguard of class 0I equipment in accordance with Clause F.5 when a mains socket-outlet as specified in JIS C 8282 series, JIS C 8303 or relevant regulation to which class I equipment can be connected is provided in accordance with Clause G.4.2A except for the cases where the socket-outlet is accessible only to skilled persons.		N/A
F.3.5.3	If the fuse is necessary for the safeguard function, the symbols indicating pre-arcing time-current characteristic.		N/A
F.3.6.1A	Marking for class 0I equipment The requirements of Clauses F.3.6.1.1 and F.3.6.1.3 shall be applied to class 0I equipment. For class 0I equipment, a marking of instructions and instructional safeguard shall be provided regarding the earthing connection.		N/A
F.3.6.2.1	Symbols, IEC 60417-5172 (2003-02) or IEC 60417-6092 (2011-10), shall not be used for class I equipment or class 0I equipment.		N/A
F.4	Instruction for audio equipment with terminals classified as ES3 in accordance with Table E.1, and for other equipment with terminals marked in accordance with F.3.6.1 and F.3.6.1A. Installation instruction for the protective earthing connection for class 0I equipment provided with independent main protective earthing terminal, where the cord for the protective earthing connection is not provided within the package for the equipment.		N/A

IEC 62368-1 ATTACHMENT			
Clause	Requirement + Test	Result - Remark	Verdict
G.3.2.1	The thermal link when tested as a separate component, shall comply with the requirements of JIS C 6691 or have properties equivalent to or better than that.		N/A
G.3.4	Except for devices covered by Clause G.3.5, overcurrent protective devices used as a safeguard shall comply with the relevant part of JIS C 6575 (corresponding to IEC60127) or shall have equivalent characteristics. If there are no applicable IEC standards, overcurrent protective devices used as a safeguard shall comply with their applicable IEC standards.		N/A
G.4.1	This requirement is not applicable to Clauses G.4.2 and G.4.2A.		N/A
G.4.2	Mains connector shall comply with JIS C 8282 series, JIS C 8283 series, JIS C 8285, JIS C 8303 or IEC 60309 series. Mains plugs and socket-outlets shall comply with JIS C 8282 series, JIS C 8303, IEC 60309 series, or have equivalent or better performance. A power supply cord set provided with appliance connector that can fit appliance inlet complying with JIS C 8283-1 shall comply with JIS C 8286. Construction preventing mechanical stress not to transmit to the soldering part of inlet terminal. Consideration for an equipment rated not more than 125 V provided with Type C14 and C18 appliance coupler complying with JIS C 8283 series.		N/A
G.4.2A	Mains socket-outlet and interconnection coupler provided with the class II, class I and class 0I equipment respectively.		N/A
G.7.1	A mains supply cord need not include the protective earthing conductor for class 0I equipment provided with independent protective earthing conductor.		N/A
G.8.3.3	Withstand $1,71 \times 1.1 \times U_0$ for 5 s.		N/A

IEC 62368-1 - ATTACHMENT			
Clause	Requirement + Test	Result - Remark	Verdict

**ATTACHMENT TO TEST REPORT**  
**IEC 62368-1**  
**ITALY NATIONAL DIFFERENCES**  
**(Audio/video, information and communication technology equipment – Part 1: Safety requirements)**

<b>Differences according to</b> .....:	CEI EN 62368-1:2016
<b>Attachment Form No.</b> .....	IT_ND_IEC62368_1D
<b>Attachment Originator</b> .....	IMQ S.p.A.
<b>Master Attachment</b> .....	Date 2021-02-04

**Copyright © 2021 IEC System for Conformity Testing and Certification of Electrical Equipment (IECEE), Geneva, Switzerland. All rights reserved.**

	National Differences	--
F.1	<p><b>Italy</b></p> <p>The following requirements shall be fulfilled:</p> <ul style="list-style-type: none"> <li>• The power consumption in Watts (W) shall be indicated on TV receivers and in their instruction for use (Measurement according to EN 60555-2).  <i>Note: EN 60555-2 has since been replaced by IEC 60107-1:1997.</i></li> <li>• TV receivers shall be provided with an instruction for use, schematic diagrams and adjustments procedure in Italian language.</li> <li>• Marking for controls and terminals shall be in Italian language. Abbreviation and international symbols are allowed provided that they are explained in the instruction for use.</li> <li>• The ECC manufacturers are bound to issue a conformity declaration according to the above requirements in the instruction manual. The correct statement for conformity to be written in the instruction manual, shall be:  <i>Questo apparecchio è fabbricato nella CEE nel rispetto delle disposizioni del D.M. marzo 1992 ed è in particolare conforme alle prescrizioni dell'art. 1 dello stesso D.M.</i></li> <li>• The first importers of TV receivers manufactured outside EEC are bound to submit the TV receivers for previous conformity certification to the Italian Post Ministry (PP.TT). The TV receivers shall have on the backcover the certification number in the following form:  D.M. 26/03/1992 xxxxx/xxxxx/S or T or pT  S for stereo  T for Teletext  pT for retrofitable teletext</li> </ul>	N/A

IEC 62368-1 - ATTACHMENT			
Clause	Requirement + Test	Result - Remark	Verdict
	<p><i>Justification:</i> Ministerial Decree of 26 March 1992 : National rules for television receivers trade.</p> <p><i>NOTE/: Ministerial decree above contains additional, but not safety relevant requirements</i></p>		

IEC62368_1D - ATTACHMENT			
Clause	Requirement + Test	Result - Remark	Verdict
<b>ATTACHMENT TO TEST REPORT IEC 62368-1 DENMARK NATIONAL DIFFERENCES Audio/video, information and communication technology equipment – Part 1: Safety requirements</b>			
<b>Differences according to</b> .....: DS/EN 62368-1:2014			
<b>Attachment Form No.</b> ....: DK_ND_IEC62368_1D			
<b>Attachment Originator</b> .....: UL (Demko)			
<b>Master Attachment</b> .....: 2021-02-04			
<b>Copyright © 2021 IEC System for Conformity Testing and Certification of Electrical Equipment (IECEE), Geneva, Switzerland. All rights reserved.</b>			

National Differences			--
4.1.15	<p>To the end of the subclause the following is added:</p> <p>Class I pluggable equipment type A intended for connection to other equipment or a network shall, if safety relies on connection to reliable earthing or if surge suppressors are connected between the network terminals and accessible parts, have a marking stating that the equipment shall be connected to an earthed mains socket-outlet.</p> <p>The marking text in the applicable countries shall be as follows: “Apparatets stikprop skal tilsluttes en stikkontakt med jord som giver forbindelse til stikproppens jord.”</p>		N/A
5.2.2.2	<p>After the 2nd paragraph add the following: A warning (marking safeguard) for high touch current is required if the touch current exceeds the limits of 3,5 mA a.c. or 10 mA d.c.</p>		N/A
5.6.1	<p>Add to the end of the subclause:</p> <p>Due to many existing installations where the socket-outlets can be protected with fuses with higher rating than the rating of the socket-outlets the protection for pluggable equipment type A shall be an integral part of the equipment.</p> <p>Justification: In Denmark an existing 13 A socket outlet can be protected by a 20 A fuse.</p>		N/A

IEC62368_1D - ATTACHMENT			
Clause	Requirement + Test	Result - Remark	Verdict
5.7.5	To the end of the subclause the following is added: The installation instruction shall be affixed to the equipment if the protective conductor current exceeds the limits of 3,5 mA a.c. or 10 mA d.c.		N/A
5.7.6.2	To the end of the subclause the following is added: The warning (marking safeguard) for high touch current is required if the touch current or the protective current exceed the limits of 3,5 mA.		N/A
G.4.2	To the end of the subclause the following is added:  Supply cords of single phase appliances having a rated current not exceeding 13 A shall be provided with a plug according to DS 60884-2-D1:2011.  CLASS I EQUIPMENT provided with socket-outlets with earth contacts or which are intended to be used in locations where protection against indirect contact is required according to the wiring rules shall be provided with a plug in accordance with standard sheet DK 2-1a or DK 2-5a.  If a single-phase equipment having a RATED CURRENT exceeding 13 A or if a poly-phase equipment is provided with a supply cord with a plug, this plug shall be in accordance with the standard sheets DK 6-1a in DS 60884-2-D1 or EN 60309-2.  Mains socket outlets intended for providing power to Class II apparatus with a rated current of 2,5 A shall be in accordance DS 60884-2-D1:2011 standard sheet DKA 1-4a.  Other current rating socket outlets shall be in compliance with Standard Sheet DKA 1-3a or DKA 1-1c.  Mains socket-outlets with earth shall be in compliance with DS 60884-2-D1:2011 Standard Sheet DK 1-3a, DK 1-1c, DK1-1d, DK 1-5a or DK 1-7a  Justification: Heavy Current Regulations, Section 6c		N/A

IEC 62368_1D ATTACHMENT			
Clause	Requirement + Test	Result - Remark	Verdict
<b>ATTACHMENT TO TEST REPORT</b>			
<b>IEC 62368-1</b>			
<b>(AUSTRALIA / NEW ZEALAND) NATIONAL DIFFERENCES</b>			
<b>(Audio/video, information and communication technology equipment)</b>			
Differences according to .....	AS/NZS 62368.1:2018		
TRF template used:.....	IECEE OD-2020-F3, Ed. 1.1		
Attachment Form No. ....	AU_NZ_ND_IEC62368_1D		
Attachment Originator .....	JAS-ANZ		
Master Attachment .....	2022-05-01		
<b>Copyright © 2020 IEC System for Conformity Testing and Certification of Electrical Equipment (IECEE), Geneva, Switzerland. All rights reserved.</b>			
	<b>National Differences</b>		--
<b>Appendix ZZ</b>	Variations to IEC 62368-1:2014 (ED. 2.0) for Australia and New Zealand		P
<b>ZZ1 Scope</b>	This Appendix lists the normative variations to IEC 62368-1:2014 (ED. 2.0)		P
<b>ZZ2 Variations</b>	The following modifications are required for Australian/New Zealand conditions:		P
<b>2</b>	<p>Add the following to the list of normative references:</p> <p>The following normative documents are referenced in Appendix ZZ:</p> <ul style="list-style-type: none"> <li>-AS/NZS 3112, <i>Approval and test specification—Plugs and socket-outlets</i></li> <li>-AS/NZS 3123, <i>Approval and test specification—Plugs, socket-outlets and couplers for general industrial application</i></li> <li>-AS/NZS 3191, <i>Electric flexible cords</i></li> <li>-AS/NZS 60065, <i>Audio, video and similar electronic apparatus—Safety requirements (IEC 60065:2015 (ED.8.0) MOD)</i></li> <li>-AS/NZS 60320.1, <i>Appliance couplers for household and similar general purposes, Part 1: General requirements (IEC 60320-1, Ed.2.1 (2007) MOD)</i></li> <li>-AS/NZS 60320.2.2, <i>Appliance couplers for household and similar general purposes Part 2.2: Interconnection couplers for household and similar equipment (IEC 60320-2-2, Ed.2.0 (1998) MOD)</i></li> <li>-AS/NZS 60695.2.11, <i>Fire hazard testing, Part 2.11: Glowing/hot wire based test methods—Glow-wire flammability test method for end-products</i></li> <li>-AS/NZS 60695.11.5, <i>Fire hazard testing, Part 11.5: Test flames—Needle-flame test method—Apparatus, confirmatory test arrangement and guidance</i></li> <li>-AS/NZS 60695.11.10, <i>Fire hazard testing, Part 11.10: Test flames—50 W</i></li> </ul>		P

IEC 62368_1D ATTACHMENT			
Clause	Requirement + Test	Result - Remark	Verdict
	<p><i>horizontal and vertical flame test methods</i></p> <p>-AS/NZS 60884.1, <i>Plugs and socket-outlets for household and similar purposes, Part 1: General requirements</i></p> <p>-AS/NZS 60950.1:2015, <i>Information technology equipment—Safety, Part 1: General requirements (IEC 60950-1, Ed.2.2 (2013), MOD)</i></p> <p>IEC 61032:1997, <i>Protection of persons and equipment by enclosures—Probes for verification</i></p> <p>-AS/NZS 61558.1:2008 (including Amendment 2:2015), <i>Safety of Power Transformers, Power Supplies, Reactors and Similar Products, Part 1: General requirements and tests (IEC 61558-1 Ed 2.1, MOD)</i></p> <p>-AS/NZS 61558.2.16, <i>Safety of transformers, reactors, power supply units and similar products for voltages up to 1 100 V, Part 2.16: Particular requirements and tests for switch mode power supply units and transformers for switch mode power supply units.</i></p>		
4.1.1	<p><b>Application of requirements and acceptance of materials, components and subassemblies</b></p> <p>1 <i>Replace</i> the text 'IEC 60950-1' with 'AS/NZS 60950.1:2015'.</p> <p>2 <i>Replace</i> the text 'IEC 60065' with 'AS/NZS 60065'.</p>		P
4.7	<b>Equipment for direct insertion into mains socket-outlets</b>		N/A
4.7.2	<p><b>Requirements</b></p> <p><i>Delete</i> the text of the second paragraph and <i>replace</i> with the following:</p> <p>Equipment with a plug portion, suitable for insertion into a 10 A 3-pin flat-pin socket-outlet complying with AS/NZS 3112 shall comply with the requirements in AS/NZS 3112 for equipment with integral pins for insertion into socket-outlets.</p>		N/A
4.7.3	<p><b>Compliance Criteria</b></p> <p><i>Delete</i> the first paragraph and Note 1 and Note 2 and <i>replace</i> with the following:</p> <p><i>Compliance is checked by inspection and, if necessary, by the tests in AS/NZS 3112.</i></p>		N/A
4.8	<p><i>Delete</i> existing clause title and <i>replace</i> with the following:</p> <p><b>4.8 Products containing coin/button cell batteries</b></p>		N/A
4.8.1	<p><b>General</b></p> <p>1 Second dashed point, <i>delete</i> the text and <i>replace</i> with the following:</p> <p>– include coin/button cell batteries with a diameter of 32 mm or less.</p> <p>2 After the second dashed point, <i>insert</i> the following Note:</p> <p>NOTE 1: Batteries are specified in IEC 60086-2.</p> <p>3 After the third dashed point, <i>renumber</i> the existing Note as 'NOTE 2'.</p> <p>4 Fifth dashed point, <i>delete</i> the word 'lithium'.</p>		N/A

IEC 62368_1D ATTACHMENT					
Clause	Requirement + Test		Result - Remark		Verdict
4.8.2	<b>Instructional Safeguard</b> First line, <i>delete</i> the word 'lithium'.				N/A
4.8.3	<b>Construction</b> First line, after the word 'Equipment' <i>insert</i> the words 'containing one or more coin/button batteries and'				N/A
4.8.5	<b>Compliance criteria</b> <i>Delete</i> the first paragraph and <i>replace</i> with the following: <i>Compliance is checked by applying a force of 30 N +/- 1 N for 10 s to the battery compartment door/cover by a rigid test finger according to test probe 11 of IEC 61032:1997 at the most unfavourable place and in the most unfavourable direction. The force shall be applied in one direction at a time.</i>				N/A
5.4.10.2	<b>Test methods</b>				N/A
5.4.10.2.1	<b>General</b> <i>Delete</i> the first paragraph and <i>replace</i> with the following: In Australia only, the separation is checked by the test of both Clause 5.4.10.2.2 and Clause 5.4.10.2.3. In New Zealand, the separation is checked by the test of either Clause 5.4.10.2.2 or Clause 5.4.10.2.3.				N/A
<b>Table 29</b>	<i>Replace</i> the table with the following:				N/A
Parts		Impulse test		Steady state test	
		New Zealand	Australia	New Zealand	Australia
Parts indicated in Clause 5.4.10.1 a) <sup>a</sup>		2.5 kV 10/700 µs	7.0 kV for hand-held telephones and headsets, 2.5 kV for other equipment. 10/700 µs	1.5 kV	3 kV
Parts indicated in Clause 5.4.10.1 b) and c) <sup>b</sup>		1.5 kV 10/700 µs <sup>c</sup>		1.0 kV	1.5 kV
<sup>a</sup> Surge suppressors shall not be removed. <sup>b</sup> Surge suppressors may be removed, provided that such devices pass the impulse test of Clause 5.4.10.2.2 when tested as components outside the equipment. <sup>c</sup> During this test, it is allowed for a surge suppressor to operate and for a sparkover to occur in a GDT.					
5.4.10.2.2	After the first paragraph, <i>insert</i> new Notes 201 and 202 as follows: NOTE 201 For Australia, the 7 kV impulse simulates lightning surges on typical rural and semi-rural network lines. NOTE 202 For Australia, the value of 2.5 kV for Clause 5.4.10.1 a) was chosen to ensure the adequacy of the insulation concerned and does not necessarily simulate likely overvoltages.				N/A
5.4.10.2.3	After the first paragraph, <i>insert</i> new Notes 201 and 202 as follows: NOTE 201 For Australia, where there are capacitors across the insulation under test, it is recommended that d.c. test voltages are used. NOTE 202 The 3 kV and 1.5 kV values for				N/A

IEC 62368_1D ATTACHMENT			
Clause	Requirement + Test	Result - Remark	Verdict
	Australia have been determined considering the low frequency induced voltages from the power supply distribution system.		
<b>6</b>	<b>Electrically-caused fire</b>		P
<b>6.1</b>	<b>General</b> After the first paragraph, <i>insert</i> the following new paragraph: Alternatively, the requirements of Clauses 6.2 to 6.5.2 are considered to be fulfilled if the equipment complies with the requirements of Clause 6.202		P
<b>6.6</b>	After Clause 6.6, <i>add</i> the new Clauses 6.201 and 6.202 as follows: <b>6.201 External power supplies, docking stations and other similar devices</b> and <b>6.202 Resistance to fire—Alternative tests</b> (see special national conditions)		N/A
<b>8.5.4</b>	<b>Special categories of equipment comprising moving parts</b>		N/A
<b>8.5.4.1</b>	<b>Large data storage equipment</b> In the first dashed row and the second dashed rows <i>replace</i> 'IEC 60950-1:2005' with 'AS/NZS 60950.1:2015'.		N/A
<b>8.6</b>	<b>Stability of equipment</b>		N/A
<b>8.6.1 and Table 36</b>	<b>Requirements</b> 1. Table 36, <i>insert</i> Footnote c at the end of the 'Glass slide' heading, and <i>add</i> a new Footnote c after the text of Footnote b in the last row of Table 36 as follows: c The glass slide test is not applicable to floor standing equipment, even though the equipment may have controls or a display. 2. Table 36, fifth row, <i>insert</i> <sup>201</sup> at the end of 'No stability requirements' 3. Table 36, ninth row, <i>insert</i> <sup>201</sup> at the end of 'No stability requirements' 4. Table 36, <i>add</i> the following new footnote: <sup>201</sup> MS2 and MS3 television sets and display devices, designed only for fixing to a wall, ceiling or equipment rack, are not subjected to stability requirements only if the instructional safeguard of Clause 8.6.1.201 is provided. Otherwise, the glass slide requirements of Clause 8.6.4 and horizontal force requirements of Clause 8.6.5 apply. 5. Second paragraph beneath Table 36, <i>delete</i> the words 'MS2 and MS3 television sets' and <i>replace</i> with 'MS2 and MS3 television sets and display devices'		N/A
<b>8.6.1</b>	After Clause 8.6.1 <i>add</i> the following new clauses: <b>8.6.1.201 Instructional safeguard for fixed-mount television sets</b> (see special national conditions)		N/A
<b>Annex F Paragraph F.3.5.1</b>	<b>Mains appliance outlet and socket-outlet markings</b> <i>Replace</i> 'IEC 60320-2-2' with 'AS/NZS 60320.2.2'.		N/A
<b>Annex G Paragraph</b>	<b>Mains connectors</b> 1 In the second line <i>insert</i> 'or AS/NZS 3123' after		N/A

IEC 62368_1D ATTACHMENT			
Clause	Requirement + Test	Result - Remark	Verdict
<b>G.4.2</b>	<p>'IEC 60906-1'.</p> <p>2 In the second line <i>insert</i> 'or AS/NZS 60320 series' after 'IEC 60320 series'</p> <p>3 <i>Add</i> the following new paragraph: 10 A or 15 A 250 V flat pin plugs for the connection of equipment to mains-powered socket-outlets for household or similar general use shall comply with AS/NZS 3112 or AS/NZS 60884.1.</p>		
<b>Paragraph G.5.3.1</b>	<p><b>Transformers, General</b></p> <p>1 In the third dashed point <i>replace</i> 'IEC 61558-1 and the relevant parts of IEC 61558-2' with 'AS/NZS 61558-1 and the relevant parts of AS/NZS 61558.2'</p> <p>2 In the fourth dashed point <i>replace</i> 'IEC 61558-2-16' with 'AS/NZS 61558.2.16'.</p>		N/A
<b>Paragraph G.7.1</b>	<p><b>Mains supply cords, General</b></p> <p>In the fourth dashed paragraph, <i>replace</i> 'IEC 60320-1' with 'AS/NZS 60320.1'</p>		N/A
<b>Table G.5</b>	<p><b>Sizes of conductors</b></p> <p>1 In the second row, first column, <i>delete</i> '6' and <i>replace</i> with '7.5'</p> <p>2 In the second row, second column, <i>delete</i> '0,75' and <i>replace</i> with '0.75<sup>b</sup></p> <p>3 <i>Delete</i> Note 1.</p> <p>4 <i>Replace</i> 'NOTE 2' with 'NOTE:'.</p> <p>5 <i>Delete</i> the text of 'Footnote b' and <i>replace</i> with the following: <sup>b</sup> This nominal cross-sectional area is only allowed for Class II appliances if the length of the power supply cord, measured between the point where the cord, or cord guard, enters the appliance, and the entry to the plug does not exceed 2 m (0.5 mm<sup>2</sup> three-core supply flexible cords are not permitted; see AS/NZS 3191).</p> <p>6 In Footnote c <i>replace</i> 'IEC 60320-1' with 'AS/NZS 60320.1'</p> <p>7 In Footnote d <i>replace</i> 'IEC 60320-1' with 'AS/NZS 60320.1'</p>		N/A
<b>Annex M Paragraph M.3.2</b>	<p><b>Protection circuits for batteries provided within the equipment, Test method</b></p> <p>After the first dashed point <i>add</i> the following Note: NOTE 201: In cases where the voltage source is provided by power from an unassociated power source, consideration should be given to the effects of possible single fault conditions in the unassociated equipment. If the power source is unknown then it should be assumed that the maximum limit of SELV may be applied to the source input under assumed single fault conditions in the source when assessing the charging circuit in the equipment under test.</p>		N/A
			N/A
	<b>Special national conditions (if any)</b>		N/A
<b>6.201</b>	<p><b>External power supplies, docking stations and other similar devices</b></p> <p>For external power supplies, docking stations and</p>		N/A

IEC 62368_1D ATTACHMENT			
Clause	Requirement + Test	Result - Remark	Verdict
	<p>other similar devices, during and after abnormal operating conditions and during single fault conditions the output voltage—</p> <ul style="list-style-type: none"> <li>– at all ES1 outlets or connectors shall not increase by more than 10% of its rated output voltage under normal operating condition; and</li> <li>– of a USB outlet or connector shall not increase by more than 3 V or 10% of its rated output voltage under normal operating conditions, whichever is higher.</li> </ul> <p>For equipment with multiple rated output voltages, the requirements apply with the equipment configured for each rated output voltage in turn.</p> <p>NOTE: This is intended to reduce the possibility of battery fire or explosion in attached equipment or accessories when charging secondary lithium batteries.</p> <p><i>Compliance shall be checked by measurement, taking into account the abnormal operating conditions of Annex B.3 and the simulated single-fault conditions of Annex B.4</i></p>		
<b>6.202</b>	<b>Resistance to fire—Alternative tests</b>		N/A
<b>6.202.1</b>	<p><b>General</b></p> <p>Parts of non-metallic material shall be resistant to ignition and spread of fire.</p> <p>This requirement does not apply to decorative trims, knobs and other parts unlikely to be ignited or to propagate flames from inside the equipment, or the following:</p> <p>a) Components that are contained in an enclosure having a flammability category of V-0 according to AS/NZS 60695.11.10 and having openings only for the connecting wires filling the openings completely, and for ventilation not exceeding 1 mm in width regardless of length.</p> <p>b) The following parts which would contribute negligible fuel to a fire:</p> <ul style="list-style-type: none"> <li>– small mechanical parts, the mass of which does not exceed 4 g, such as mounting parts, gears, cams, belts and bearings;</li> <li>– small electrical components, such as capacitors with a volume not exceeding 1 750 mm<sup>3</sup>, integrated circuits, transistors and optocoupler packages, if these components are mounted on material of flammability category V-1, or better, according to AS/NZS 60695.11.10.</li> </ul> <p>NOTE: In considering how to minimize propagation of fire and what 'small parts' are, account should be taken of the cumulative effect of small parts adjacent to each other for the possible effect of propagating the fire from one part to another.</p>		N/A
	<i>Compliance shall be checked by the tests of Clauses 6.202.2, 6.202.3 and 6.202.4.</i>		N/A

IEC 62368_1D ATTACHMENT										
Clause	Requirement + Test		Result - Remark	Verdict						
	<p>For the base material of printed boards, compliance shall be checked by the test of Clause 6.202.5.</p> <p>The tests shall be carried out on parts of non-metallic material which have been removed from the equipment. When the glow-wire test is carried out, the parts shall be placed in the same orientation as they would be in normal use. These tests are not carried out on internal wiring.</p>									
6.202.2	<p><b>Testing of non-metallic materials</b></p> <p>Parts of non-metallic material shall be subject to the glow-wire test of AS/NZS 60695.2.11 which shall be carried out at 550°C.</p> <p>Parts for which the glow-wire test cannot be carried out, such as those made of soft or foamy material, shall meet the requirements specified in ISO 9772 for category FH-3 material. The glow-wire test shall be not carried out on parts of material classified at least FH-3 according to ISO 9772 provided that the relevant part is not thinner than the sample tested.</p>			N/A						
6.202.3	<p><b>Testing of insulating materials</b></p> <p>Parts of insulating material supporting Potential Ignition Sources shall be subject to the glow-wire test of AS/NZS 60695.2.11 which shall be carried out at 750°C.</p> <p>The test shall be also carried out on other parts of insulating material which are within a distance of 3 mm of the connection.</p> <p>NOTE: Contacts in components such as switch contacts are considered to be connections</p>			N/A						
	<p>For parts which withstand the glow-wire test but produce a flame, other parts above the connection within the envelope of a vertical cylinder having a diameter of 20 mm and a height of 50 mm shall be subjected to the needle-flame test.</p> <p>However, parts shielded by a barrier which meets the needle-flame test need not be tested</p>			N/A						
	<p>The needle-flame test shall be made in accordance with AS/NZS 60695.11.5 with the following modifications:</p> <table border="1"> <tr> <td><b>Clause of AS/NZS 60695.11.5</b></td> <td>Change</td> </tr> <tr> <td><b>9 Test procedure</b></td> <td></td> </tr> <tr> <td><b>9.2 Application of needle-flame</b></td> <td> <p><i>Delete</i> the first and second paragraphs and <i>replace</i> with the following:</p> <p>The specimen shall be arranged so that the flame can be applied to a vertical or horizontal edge as shown in the</p> </td> </tr> </table>		<b>Clause of AS/NZS 60695.11.5</b>	Change	<b>9 Test procedure</b>		<b>9.2 Application of needle-flame</b>	<p><i>Delete</i> the first and second paragraphs and <i>replace</i> with the following:</p> <p>The specimen shall be arranged so that the flame can be applied to a vertical or horizontal edge as shown in the</p>		N/A
<b>Clause of AS/NZS 60695.11.5</b>	Change									
<b>9 Test procedure</b>										
<b>9.2 Application of needle-flame</b>	<p><i>Delete</i> the first and second paragraphs and <i>replace</i> with the following:</p> <p>The specimen shall be arranged so that the flame can be applied to a vertical or horizontal edge as shown in the</p>									

IEC 62368_1D ATTACHMENT				
Clause	Requirement + Test		Result - Remark	Verdict
		<p>examples of Figure 1. If possible the flame shall be applied at least 10 mm from a corner.</p> <p>The duration of application of the test flame shall be 30 s ± 1 s.</p>		
	<b>9.3 Number of test specimens</b>	<p><i>Replace</i> with the following: The test shall be made on one specimen. If the specimen does not withstand the test, the test may be repeated on two further specimens, both of which shall withstand the test.</p>		
	<b>11 Evaluation of test results</b>	<p><i>Replace</i> with the following: The duration of burning (tb) shall not exceed 30 s. However, for printed circuit boards, it shall not exceed 15 s.</p>		
	<p>The needle-flame test shall not be carried out on parts of material classified as V-0 or V-1 according to AS/NZS 60695.11.10, provided that the relevant part is not thinner than the sample tested.</p>			
<b>6.202.4</b>	<p><b>Testing in the event of non-extinguishing material</b></p> <p>If parts, other than enclosures, do not withstand the glow wire tests of Clause 6.202.3, by failure to extinguish within 30 s after the removal of the glowwire tip, the needle-flame test detailed in Clause 6.202.3 shall be made on all parts of non-metallic material which are within a distance of 50 mm or which are likely to be impinged upon by flame during the tests of Clause 6.202.3. Parts shielded by a separate barrier which meets the needle-flame test need not be tested.</p> <p>NOTE 1: If the enclosure does not withstand the glow-wire test the equipment is considered to have failed to meet the requirements of Clause 6.202 without the need for consequential testing.</p> <p>NOTE 2: If other parts do not withstand the glow-wire test due to ignition of the tissue paper and if this indicates that burning or glowing particles can fall onto an external surface underneath the equipment, the equipment is considered to have failed to meet the requirements of Clause 6.202 without the need for consequential testing.</p> <p>NOTE 3: Parts likely to be impinged upon by the flame are considered to be those within the envelope of a vertical</p>			N/A

IEC 62368_1D ATTACHMENT			
Clause	Requirement + Test	Result - Remark	Verdict
	cylinder having a radius of 10 mm and a height equal to the height of the flame, positioned above the point of the material supporting, in contact with, or in close proximity to, connections.		
<b>6.202.5</b>	<p><b>Testing of printed boards</b></p> <p>The base material of printed boards shall be subjected to the needle-flame test of Clause 6.202.3. The flame shall be applied to the edge of the board where the heat sink effect is lowest when the board is positioned as in normal use. The flame shall not be applied to an edge, consisting of broken perforations, unless the edge is less than 3 mm from a potential ignition source.</p> <p>The test is not carried out if—</p> <ul style="list-style-type: none"> <li>– the printed board does not carry any potential ignition source;</li> <li>– the base material of printed boards, on which the available apparent power at a connection exceeds 15 VA operating at a voltage exceeding 50 V and equal or less than 400 V (peak) a.c. or d.c. under normal operating conditions, is of flammability category V-1 or better according to AS/NZS 60695.11.10, or the printed boards are protected by an enclosure meeting the flammability category V-0 according to AS/NZS 60695.11.10, or made of metal, having openings only for connecting wires which fill the openings completely; or</li> <li>– the base material of printed boards, on which the available equipment power at a connection exceeds 15 VA operating at a voltage exceeding 400 V (peak) a.c. or d.c. under normal operating conditions, and base material of printed boards supporting spark gaps which provides protection against overvoltages, is of flammability category V-0 according to AS/NZS 60695.11.10 or the printed boards are contained in a metal enclosure, having openings only for connecting wires which fill the openings completely.</li> </ul> <p><i>Conformance shall be determined using the smallest thickness of the material.</i></p> <p>NOTE: Available apparent power is the maximum apparent power which can be drawn from the supplying circuit through a resistive load whose value is chosen to maximize the apparent power for more than 2 min when the circuit supplied is disconnected.</p>		N/A
<b>6.202.6</b>	<p><b>For open circuit voltages greater than 4 kV</b></p> <p>Potential ignition sources with open circuit voltages exceeding 4 kV (peak) a.c. or d.c. under normal operating conditions shall be contained in a FIRE ENCLOSURE which shall comply with flammability category V-1 or better according to AS/NZS 60695.11.10.</p>		N/A
<b>8.6.1.201</b>	<p><b>8.6.1.201 Instructional safeguard for fixed-mount television sets</b></p> <p>MS2 and MS3 television sets and display devices designed only for fixed mounting to a wall of ceiling or equipment rack shall, where required in</p>		N/A

IEC 62368_1D ATTACHMENT			
Clause	Requirement + Test	Result - Remark	Verdict
	<p>Table 36, footnote 201, have an instructional safeguard in accordance with Clause F.5 which may be on the equipment or included in the installation instructions or equivalent document accompanying the equipment.</p> <p>The elements of the instructional safeguard shall be as follows:</p> <ul style="list-style-type: none"> <li>– element 1a: not available;</li> <li>– element 2: 'Stability Hazard' or equivalent wording;</li> <li>– element 3: 'The television set may fall, causing serious personal injury or death' or equivalent text;</li> <li>– element 4: the following or equivalent text: To prevent injury, this television set must be securely attached to the floor/wall in accordance with the installation instructions</li> </ul>		
<b>8.6.1.202</b>	<p><b>Restraining device</b></p> <p>MS2 and MS3 television sets and display devices that are not solely fixed-mounted should be provided with a restraining device such as a fixing point to facilitate restraining the equipment from toppling forward. The restraining device shall be capable of withstanding a pull of 100 N in all directions without damage. Where a restraining device is provided, instructions shall be provided in the instructions for installation or instructions for use to ensure correct and safe installation.</p>		N/A

AS/NZS 3112:2017 Appendix J			
Clause	Requirement + Test	Result - Remark	Verdict

<b>ATTACHMENT TO TEST REPORT</b> <b>AS_NZS_3112:2017_+A1:2021 Appendix J</b> <b>AUSTRALIAN / NEW ZEALAND NATIONAL DIFFERENCES</b> <b>(Approval and test specification—Plugs and socket-outlets)</b>	
Differences according to .....	AS_NZS_3112:2017_Amendment 1:2021_Appendix J
TRF template used: .....	IECEE OD-2020-F3, Ed. 1.1
Attachment Form No. ....	AS_NZS_3112:2017_Appendix J
Attachment Originator .....	JAS-ANZ
Master Attachment .....	2022-06
<b>Copyright © 2020 IEC System for Conformity Testing and Certification of Electrical Equipment (IECEE), Geneva, Switzerland. All rights reserved.</b>	

	<b>Note: AS/NZS 3112 is NOT covered by IECEE Accreditation for Testing / Reporting</b> <b>Please State Laboratory Accreditation for this Standard</b>	--
	Accreditation	N/A

J1 SCOPE	<p>General: This Appendix specifies additional dimensional and constructional requirements for detachable plug portions, or equipment incorporating integral supply pins or equipment incorporating detachable plug portions.</p> <p>This Appendix shall be read in conjunction with Section 2 of this Standard.</p> <p>For the purposes of this Appendix, where the term 'plug' is used in Section 2 it shall be taken to mean the plug portion of equipment or the detachable plug portion.</p> <p>The equipment shall comply with the relevant product Standard. The tests and requirements specified in this Appendix are in addition to any test and requirements of the relevant product Standard for the equipment. (AS/NZS 3112:2017/A1:2021)</p>	N/A
-------------	---	-----